



# WILLIS WALL-MOUNT FAUCET INSTALLATION

## BEFORE YOU BEGIN

We recommend consulting a professional if you are unfamiliar with installing bathroom fixtures and plumbing. Signature Hardware accepts no liability for any damage to the floor, walls, plumbing, or personal injury during installation.

For the following installation instructions, it is assumed that any old fixture has been removed and the main water supply is prepared for faucet installation.

Unpack and inspect the item for damage. If any damage is found, contact our Customer Relations team at 1-866-855-2284.

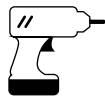
## GETTING STARTED

- Ensure that you have gathered all of the required materials that are needed for the installation.
- Shut off the main water supply where the new faucet is being installed.

## TOOLS AND MATERIALS:



Plumber's Tape



Drill



Thread Sealant



Tape Measure



Level

Hex Wrench  
(provided)Flathead  
Screwdriver

Pipe Clamps

Adjustable  
Wrench

## PLANNING

Use the faucet's PDF specification sheet as a reference when planning your installation. The specification sheet can be found and downloaded from the product page on our website.

Because the faucet specification measurements are approximate and slight variations may occur, we highly recommend performing any rough-in procedures with the faucet on site.

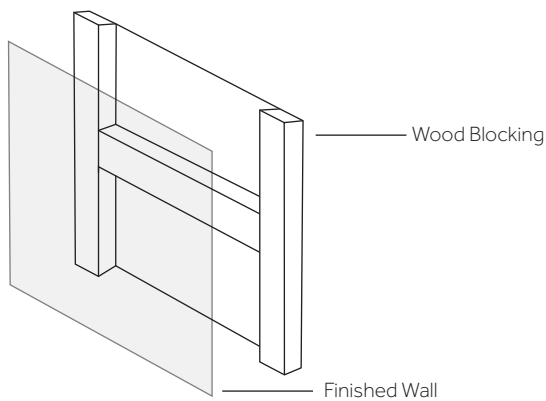


# WILLIS WALL-MOUNT FAUCET INSTALLATION

## INSTALLATION

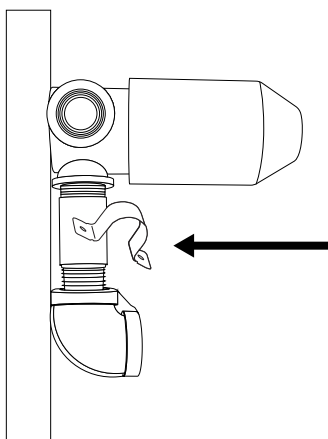
1. Prepare for installation by installing wood blocking between the two studs where the faucet will mount.

**Important:** Take into consideration the thickness of your finished wall materials, such as tile, when calculating measurements.

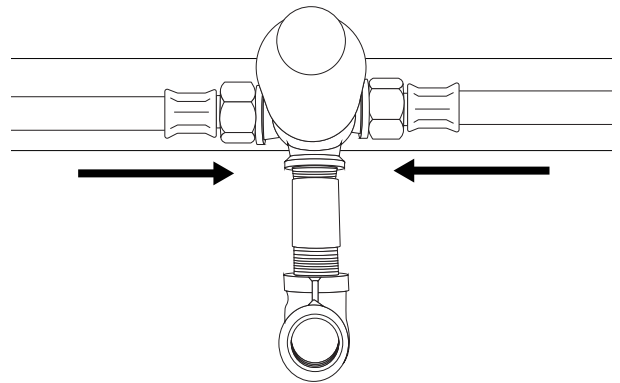


2. Mount the valve body in its prepared location. Attach the valve body to the wood blocking using pipe clamps. Use a level to ensure that the valve is mounted straight.

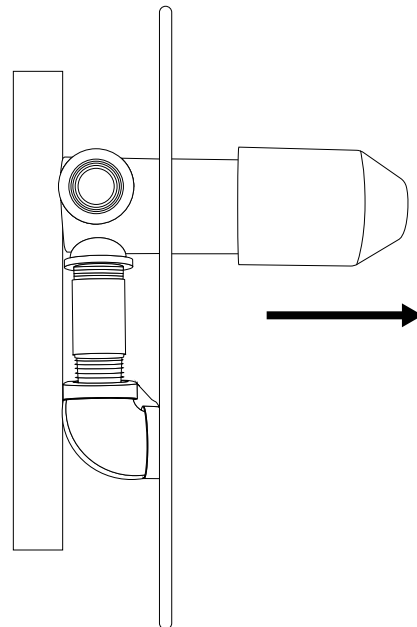
**Important:** Leave the protective plastic sleeves on the valve until your finished wall is completed.



3. Attach your existing water lines to the valve body. Apply thread sealant or plumber's tape to the threaded connection to ensure a watertight seal.



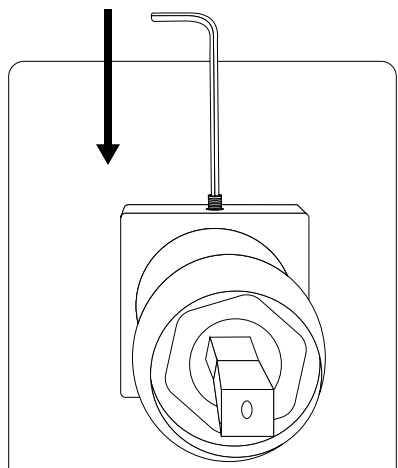
4. **Proceed to the construction of your finished wall.** Once your finished wall has been completed, remove the protective plastic sleeve from the valve body.



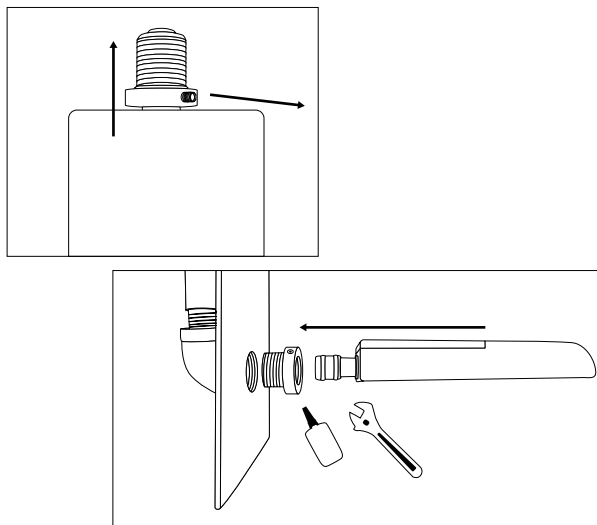


# WILLIS WALL-MOUNT FAUCET INSTALLATION

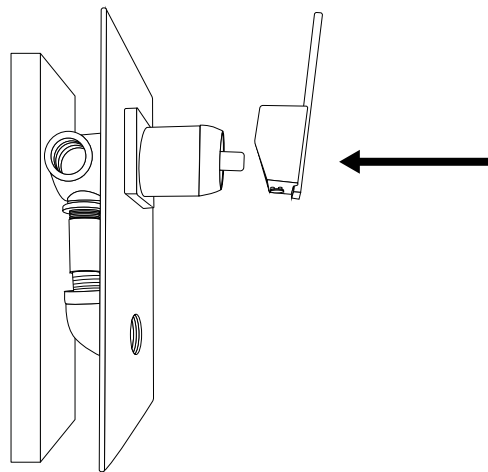
5. Slide the decorative back plate onto the installed valve body, as shown. Then, slide the handle's backplate onto the valve and tighten its set screw to secure.



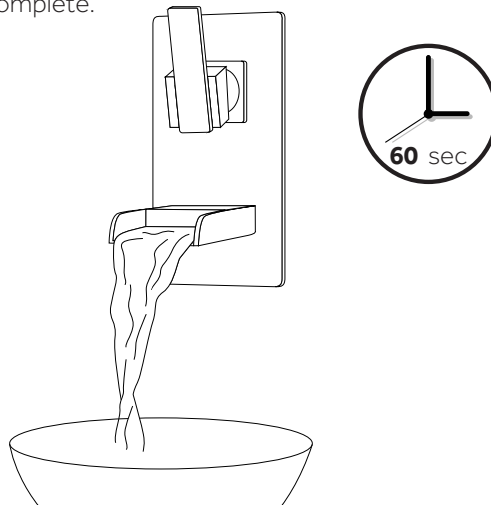
6. Remove the threaded coupler from the spout by loosening the set screw and pulling off of the spout. Thread the coupler into the valve body, as shown. Tighten firmly using an adjustable wrench. Apply plumber's tape or thread sealant to the threads before attaching. Then, push the spout onto the installed coupler and tighten the set screw to secure.



7. Attach the lever handle by sliding it onto the valve stem. Remove the screw cover located on the bottom of the handle, and tighten the set screw to secure. Reinsert the screw cover.



8. Once installation is complete, turn on the main water supply. Use the provided tool to remove the aerator from the spout. Turn the water on to allow any dust or loose sediment to clear the system. Allow the water to flow through the spout for approximately 60 seconds, and verify that hot and cold water are running properly. Reattach the aerator once testing is complete.

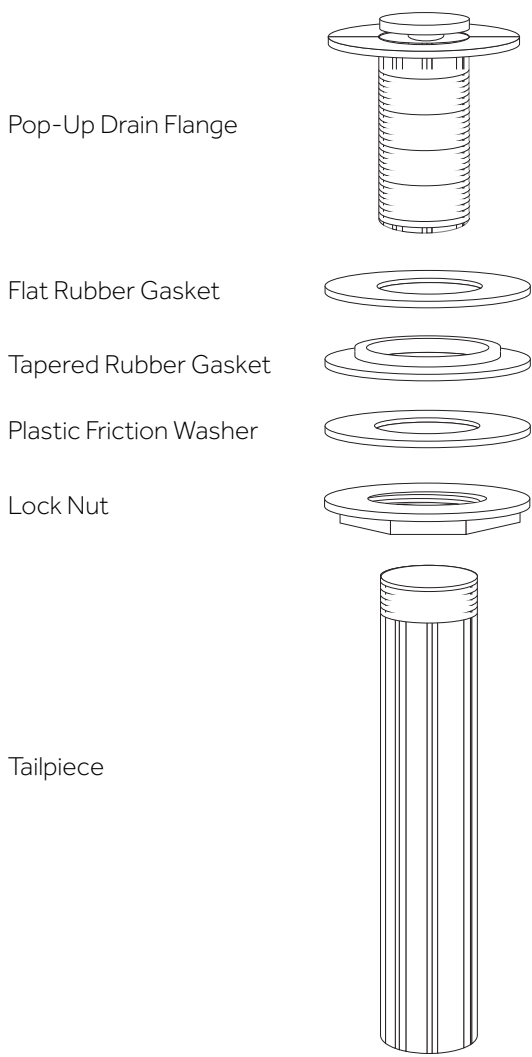




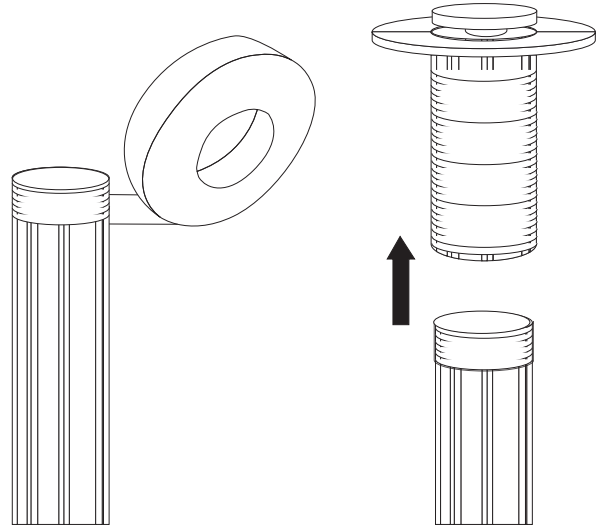
# WILLIS WALL-MOUNT FAUCET INSTALLATION

## DRAIN INSTALLATION

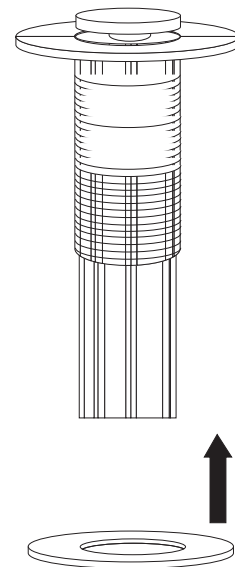
1. Dissassemble the drain assembly and lay the parts aside, in the same order they were removed. See the illustration below as a reference if needed.



2. Apply plumber's tape to the threading on the tailpiece, then reattach the tail piece to the pop-up drain flange.



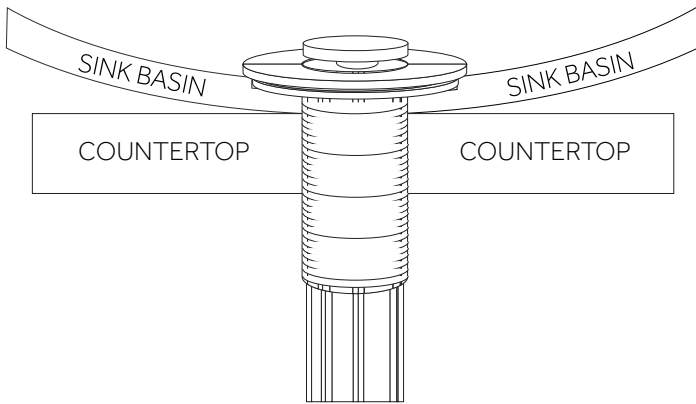
3. Slide the flat rubber gasket up the tailpiece until it meets the lip of the pop-up drain flange.



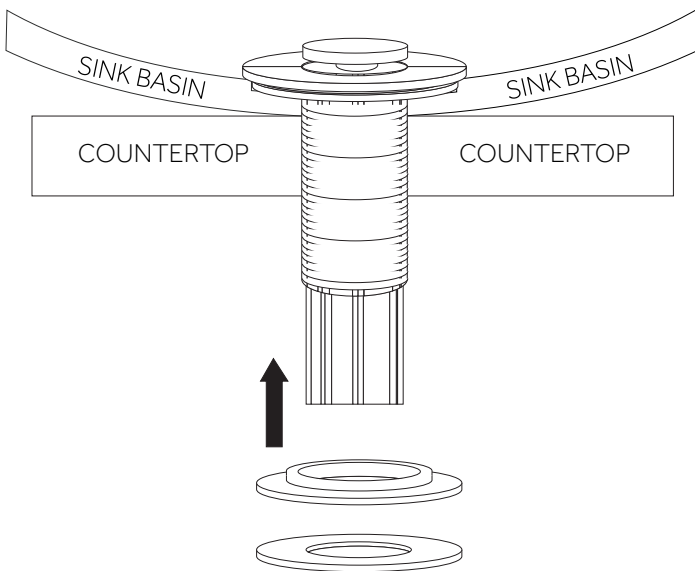


# WILLIS WALL-MOUNT FAUCET INSTALLATION

4. Insert the drain flange and tailpiece through the top of your sink's drain hole.



5. From under your counter, slide the tapered rubber gasket followed by the plastic friction washer onto the tailpiece until they meet your sink or countertop. Be sure that the tapered side of the rubber washer is facing up.



6. Thread the lock nut onto the drain flange. Hand tighten until secure, then finish tightening with a basin wrench once the drain is properly aligned.

**Important:** Be careful not to overtighten, which could crack a porcelain sink or stone countertop.

