



# WILLIS FREESTANDING FAUCET INSTALLATION

## BEFORE YOU BEGIN

We recommend consulting a professional if you are unfamiliar with installing plumbing fixtures. Signature Hardware accepts no liability for any damage to the plumbing, floor, walls, tub, or for personal injury during installation.

Observe all local plumbing and building codes.

Unpack and inspect the faucet for shipping damage. If any damage is found, contact our Customer Relations team at 1-866-855-2284.

---

## GETTING STARTED

- Ensure that you have gathered all the required materials that are needed for the installation.
- For these instructions, it is assumed that the floor has been finished and the water supply has been prepared.

## TOOLS AND MATERIALS:



Plumbers  
Tape



Thread  
Sealant



Pencil or  
Marker



Adjustable  
Wrench



Level



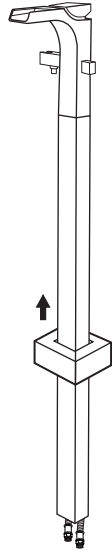
Drill



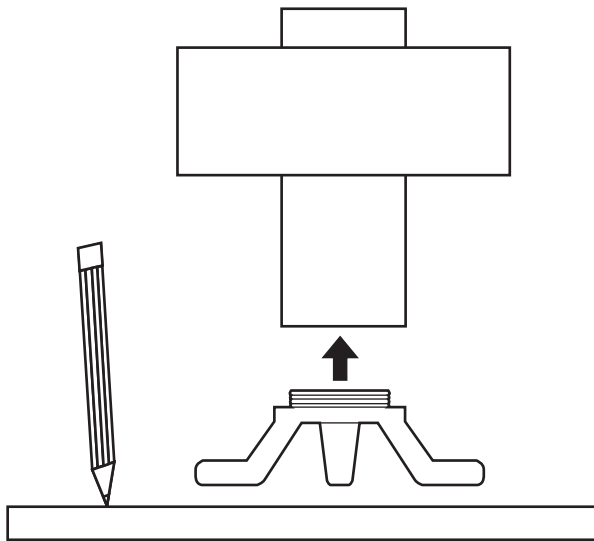
# WILLIS FREESTANDING FAUCET INSTALLATION

## INSTALLATION

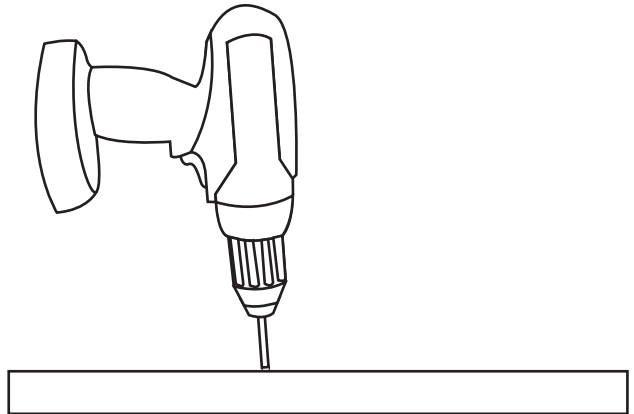
1. Slide the decorative baseplate onto the faucet body, as shown.



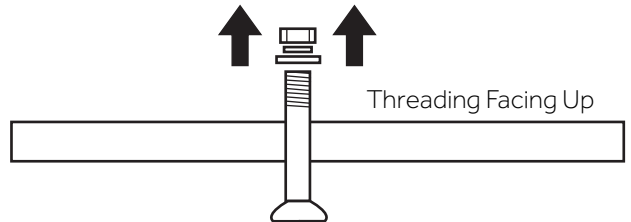
2. Attach the mounting bracket by threading it onto the base of the faucet. Hand tighten firmly. Position the faucet at its desired location, then mark the location of the mounting holes on the floor. Set the faucet aside.



3. Drill pilot holes into the floor at the marked mounting hole locations.



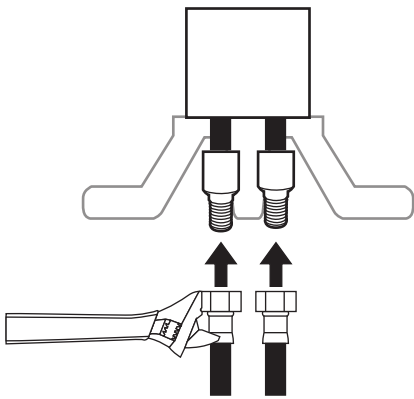
4. Remove the nuts, locking washers, and metal washer from each of the mounting screws. Drop each of the screws and anchors into the drilled pilot holes, with the threads facing up through the floor.



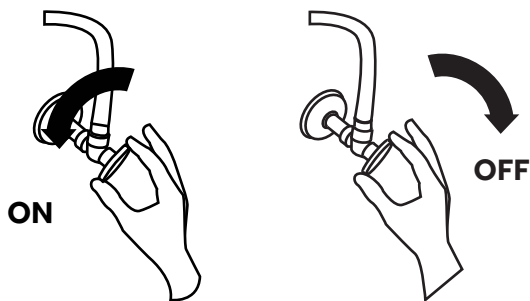


# WILLIS FREESTANDING FAUCET INSTALLATION

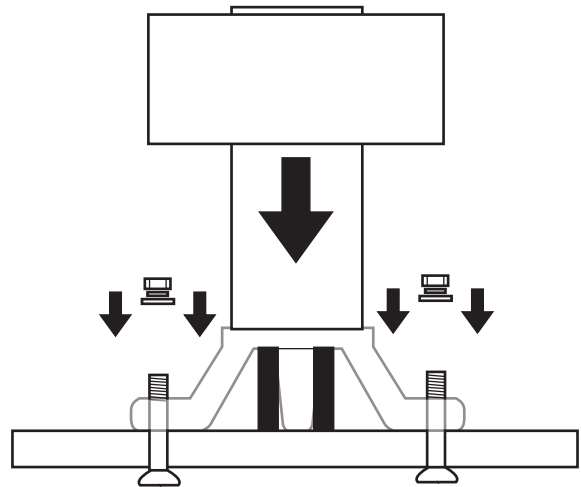
5. Connect the braided water lines to the main water supply at the floor. Ensure that you are connecting the hot and cold lines appropriately. Apply thread sealant or plumber's tape to the threads before attaching. Hand tighten firmly, then finish tightening using an adjustable wrench. Be careful not to overtighten.



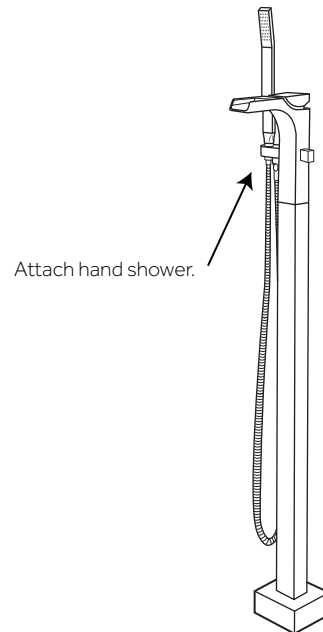
6. Briefly turn on the main water supply to ensure that there are no leaks. Once you have determined that there are no leaks, turn the water supply back off and continue with the installation.



7. Secure the faucet to the floor using the metal washers, locking washers, and nuts that were removed earlier. Slide the decorative baseplate to the floor to conceal the mounting hardware and rough-in.



8. Finish your installation by attaching the hand shower to the faucet using the hand shower hose. Hand tighten each connection firmly.





## WILLIS FREESTANDING FAUCET INSTALLATION

9. Once installation is complete, turn on the main water supply. Turn the faucet on and allow the water to flow for 60 seconds. Check for any leaks, and that hot and cold water are running appropriately. Divert the water to the hand shower and allow the water to flow through the hose for approximately 60 seconds.

