



SHOWER SEAT REMOVAL INSTRUCTIONS

BEFORE YOU BEGIN

Read the entire removal instructions before you begin.

If you have any questions or need assistance before or during seat removal, contact Customer Service at 1-866-855-2284.

If you are uncomfortable with removing the seat on your own, contact a professional for assistance.

Signature Hardware accepts no liability for any damage to the home, or for personal injury, during removal of the seat.

TOOLS AND MATERIALS:



Safety Glasses



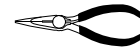
Drill
(optional)



Hammer



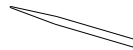
Phillips
Screwdriver



Long-nose Pliers

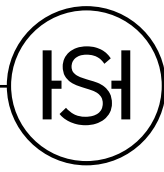


Flathead
Screwdriver



Pin Punch

***Note:** Additional materials may be needed, as well as wall repair materials, which will vary depending on your wall construction.

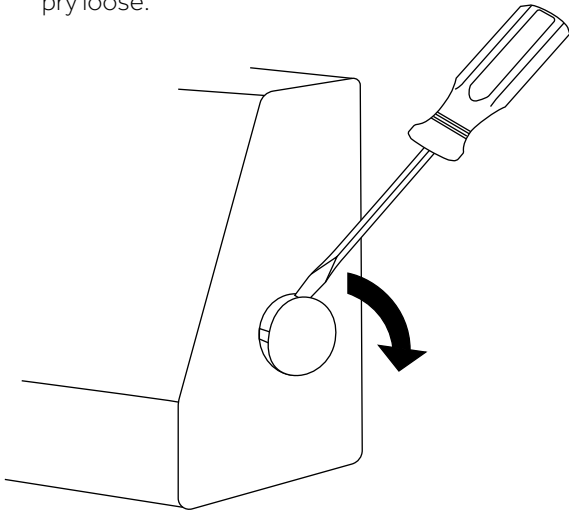


SHOWER SEAT REMOVAL INSTRUCTIONS

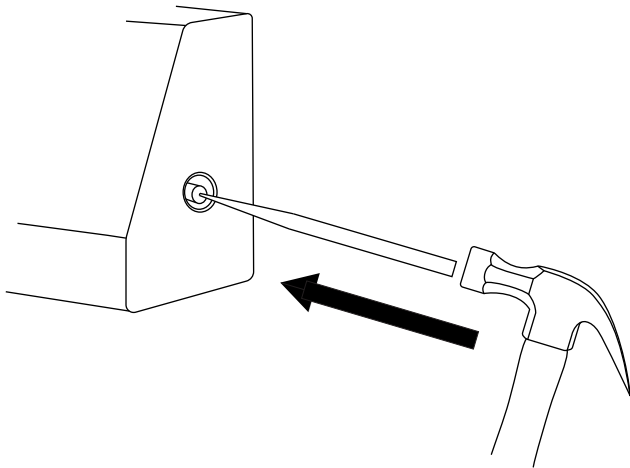
STEPS FOR REMOVAL

For your protection, use safety glasses while removing the shower seat.

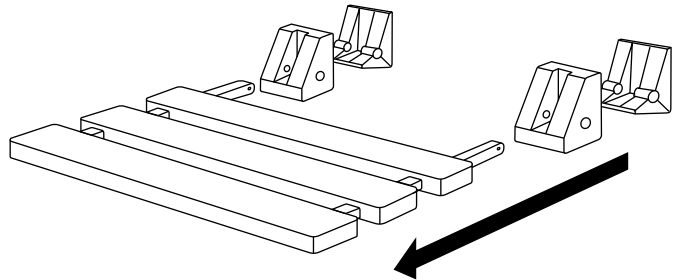
1. Remove the caps for the mounting pins from the mounting bracket covers. Use a flathead screwdriver to pry loose.



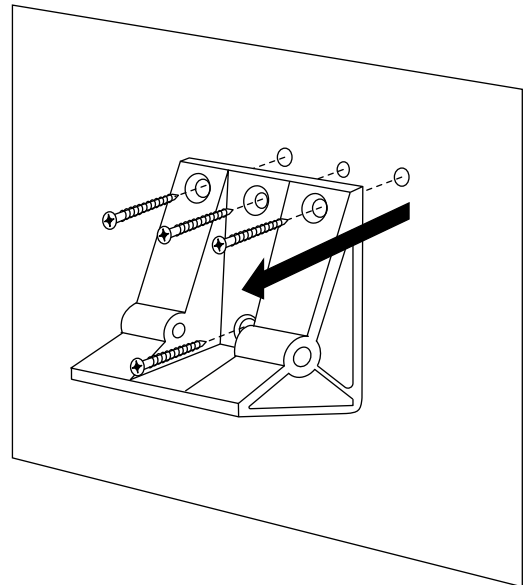
2. With the assistance of another person, remove the mounting pins. **Have someone hold the seat in place during pin removal to prevent the seat from falling.** To remove the pins, tap out from one side using a pin punch and hammer. From the other side, pull the pin free from the bracket using long-nose pliers.



3. Carefully remove the seat from the mounting brackets, then pull the decorative bracket covers free from the brackets.



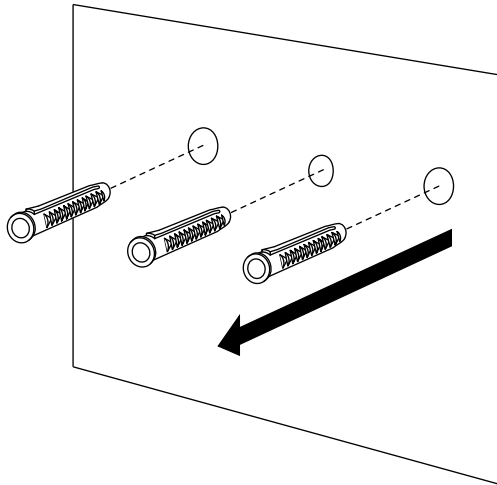
4. Use a drill or a screwdriver to remove the mounting bracket screws, then remove the brackets from the wall.





SHOWER SEAT REMOVAL INSTRUCTIONS

5. Once removal of the seat is complete, remove the wall anchors using long-nose pliers. **Note: Remove the anchors carefully, taking caution to limit drywall and/or tile damage.**



6. Proceed to wall repair. If the tile is undamaged, holes left in the tile can be filled using a polyester resin. A porcelain touch-up kit should be used to match the tile color. If the tile is damaged, it may be necessary to remove the affected tile, repair the drywall/cement board, then replace the damaged tile(s). Consult a professional for wall and/or tile repair if necessary.

