



# VESSEL VANITY TOP INSTALLATION

## BEFORE YOU BEGIN

We recommend consulting a professional if you are unfamiliar with installing bathroom fixtures and plumbing. Signature Hardware accepts no liability for any damage to the floor, walls, plumbing, vanity cabinet, sink, counter top, or personal injury during installation.

Observe all local plumbing and building codes.

Unpack and inspect the vanity for damage. If any damage is found, contact our Customer Relations team at 1-866-855-2284.

## GETTING STARTED

- Ensure that you have gathered all the required materials that are needed for the installation.
- Ensure that your bathroom floor is adequately supported, and the finished floor is level.
- Ensure that there is adequate support behind the bathroom wall before installation.

## PLANNING

Use the vanity's PDF specification sheet as a reference when planning your layout. The specification sheet can be found and downloaded from the product page on our website.

Because the vanity specification measurements are approximate and slight variations may occur, we highly recommend performing any rough-in procedures with the vanity on site.

## TOOLS AND MATERIALS:



Neutral Cure  
Silicone Sealant

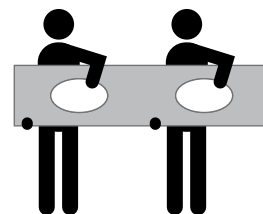
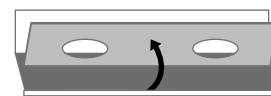
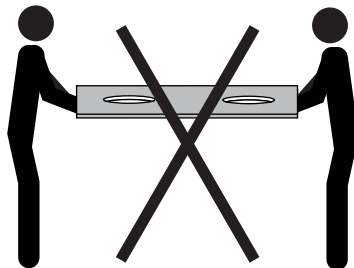


Damp Cloth

NEVER LIFT THE VANITY TOP FLAT



NEVER CARRY THE VANITY TOP FLAT

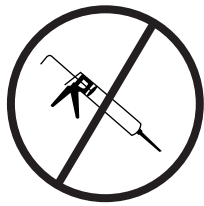




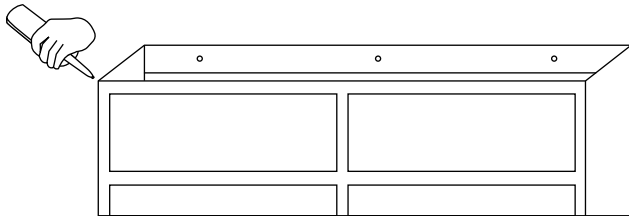
# VESSEL VANITY TOP INSTALLATION

## STEP 1: VANITY TOP INSTALLATION

1. If replacing the top on an existing vanity, ensure that all adhesive has been removed from where the old counter was attached.

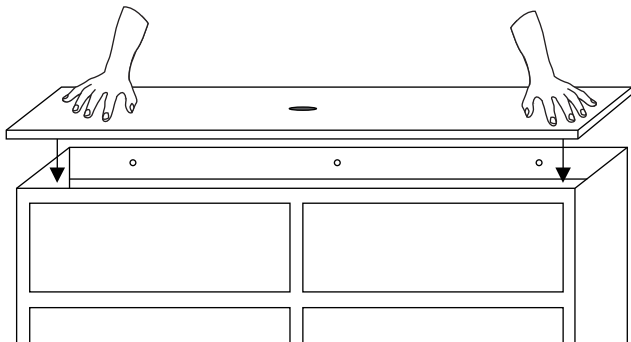


2. Attach a bead of silicone sealant around the top edge of the vanity cabinet.

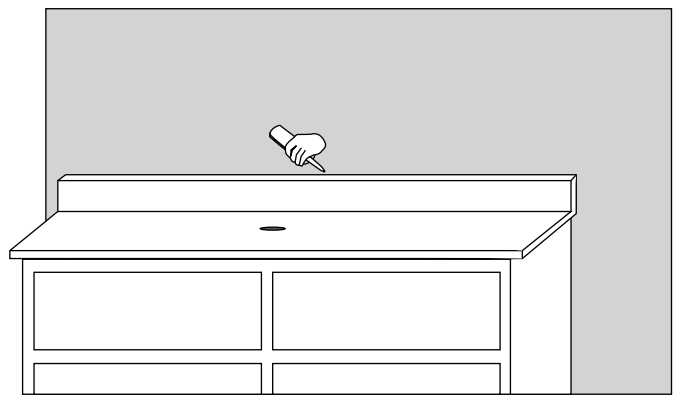


3. With assistance from another person, slowly and carefully set the top onto the vanity cabinet. Once positioned, press firmly into place. Wipe away any excess sealant using a damp cloth.

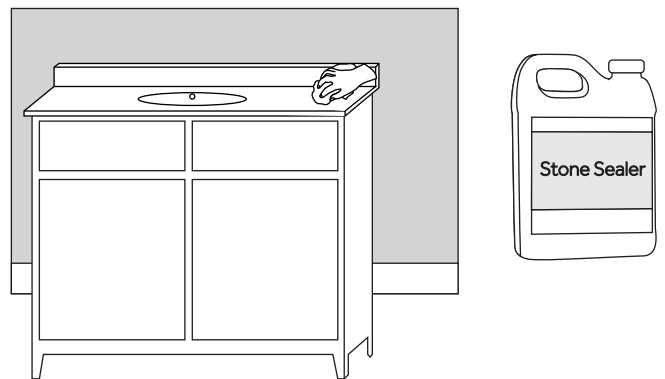
**Important:** The top is fragile. Take caution when handling, and have someone assist if needed.



4. If you are installing a side-splash and/or back-splash, place a generous amount of silicone sealant on the back of it and press it into place against your bathroom wall. Fill any gaps that are left with silicone sealant. Wipe away an excess sealant with a damp cloth.



5. For stone tops, such as marble and granite, it is recommended that you apply a high-quality sealer to protect from staining and discoloration. Stone sealer should be reapplied once or twice per year, depending upon usage.

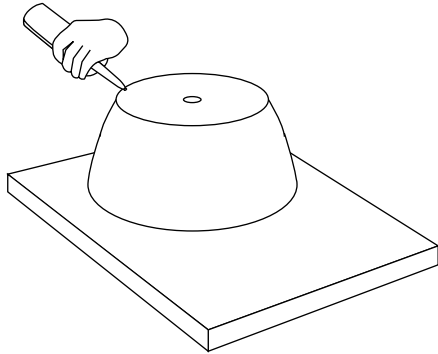




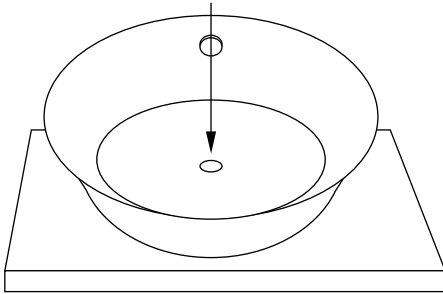
# VESSEL VANITY TOP INSTALLATION

## Step 2: Sink Installation

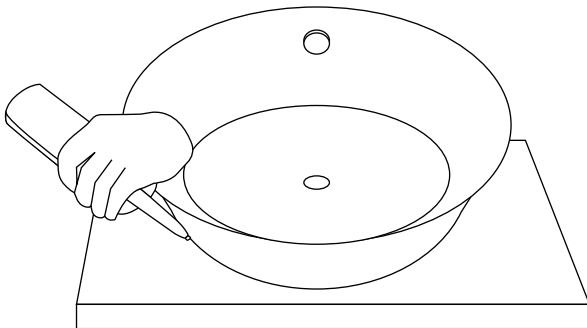
1. Carefully place your vessel sink upside down on the counter top. Apply a generous amount of silicone sealant to the base of the sink where it will rest on the counter.



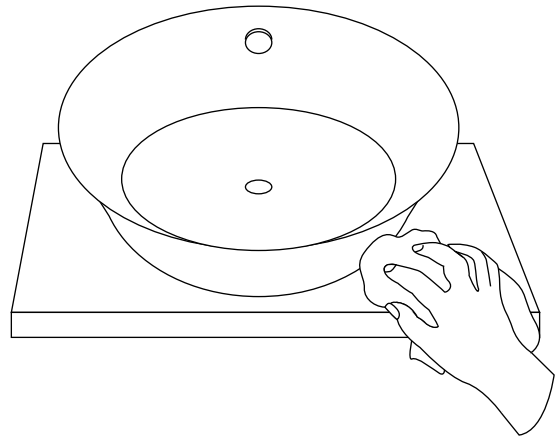
2. Turn the sink right-side-up and position over the 2" drain hole.



3. If desired, apply a continuous bead of silicone sealant around the perimeter of the sink base for additional stability.



4. Remove any excess sealant to complete the sink installation.



5. Let the assembled vanity sit for 24 hours to allow all the silicone sealant to fully dry. Once dry, proceed to the installation of your faucet and drain.

**Note:** In some situations, it may be necessary to cut the inner cabinet shelf to allow for your drain's P-trap.

