



ULTRA FAUCET INSTALLATION

BEFORE YOU BEGIN

We recommend consulting a professional if you are unfamiliar with installing plumbing fixtures. Signature Hardware accepts no liability for any damage to the faucet, plumbing, sink, counter top, or for personal injury during installation.

Observe all local plumbing and building codes.

Unpack and inspect the faucet for shipping damage. If any damage is found, contact our Customer Relations team at 1-866-855-2284.

GETTING STARTED

- Ensure that you have gathered all the required materials that are needed for the installation.
- For these instructions, it is assumed that the old faucet has been completely removed and any necessary repairs or modifications to the water supply have been completed.

TOOLS AND MATERIALS:



Plumbers
Tape



Thread
Sealant



Phillips
Screwdriver



Adjustable
Wrench

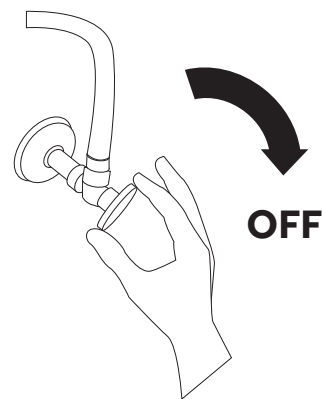


Small
Bucket

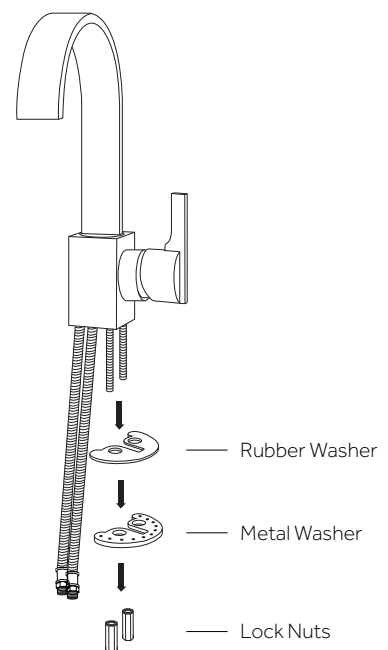
INSTALLATION

1. Ensure that the water supply below your sink is shut off.

Tip: Place a small bucket below your workspace to catch any water that may drip during the installation process.



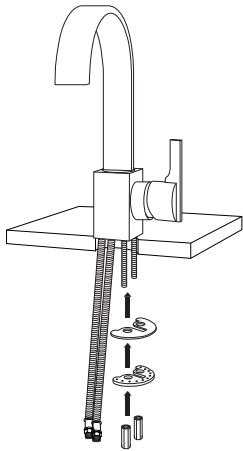
2. Remove the lock nuts, metal washer, and rubber washer from the faucet's mounting posts.



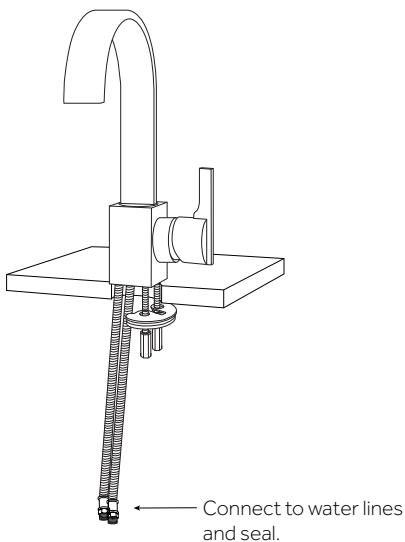


ULTRA FAUCET INSTALLATION

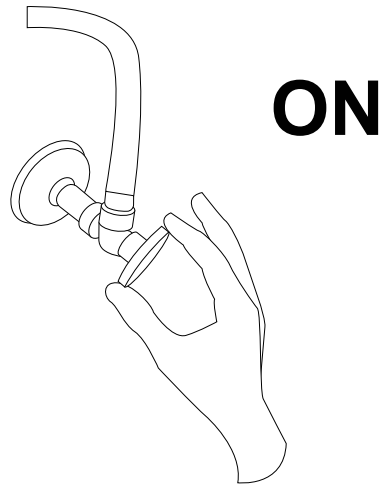
3. Insert the faucet into its prepared mounting hole. Once in position, slide the rubber washer followed by the metal washer back onto the faucet's mounting posts. Secure the faucet using the lock nuts. Tighten firmly using the provided basin wrench.



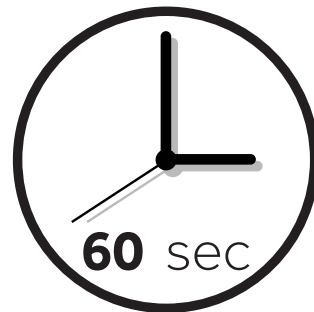
4. Attach the main supply lines to the braided water lines on the faucet. Ensure that the hot and cold lines are connected as marker. Apply plumber's tape or thread sealant to the threads before tightening. Hand tighten the connections, then finish tightening with an adjustable wrench. Be very careful not to overtighten.



5. Once installation is complete, turn the main water supply back on from underneath your sink. Check for any leaks underneath.



6. Proceed to sink drain installation. Once complete, turn the faucet on for approximately 60 seconds to check for any leaks. Ensure that both hot and cold water are functioning properly.

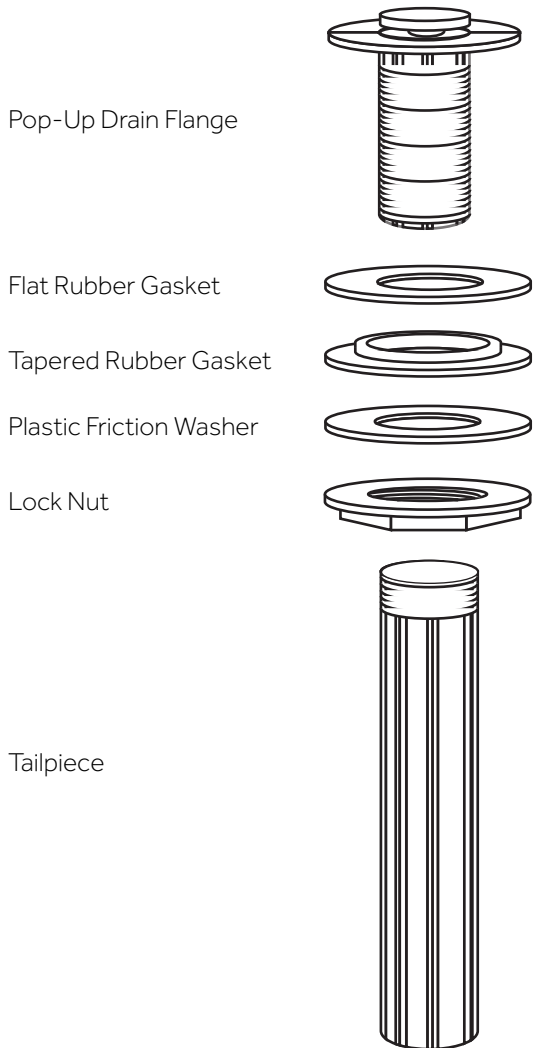




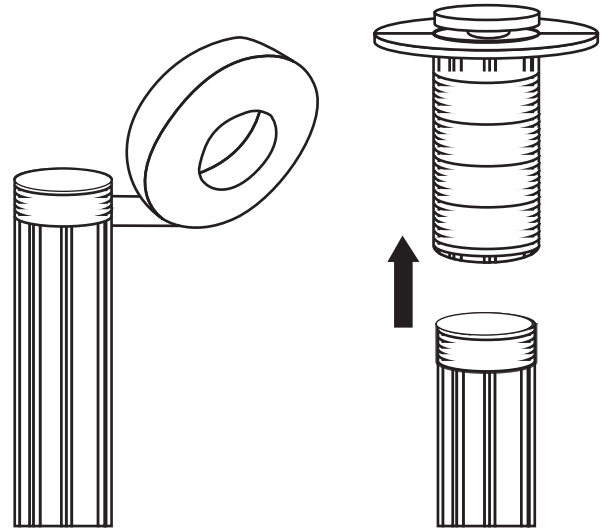
ULTRA FAUCET INSTALLATION

DRAIN INSTALLATION

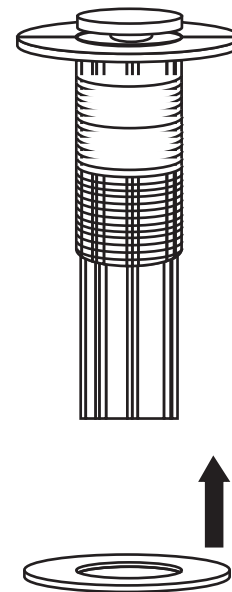
1. Dissassemble the drain assembly and lay the parts aside, in the same order they were removed. See the illustration below as a reference if needed.



2. Apply plumber's tape to the threading on the tailpiece, then reattach the tail piece to the pop-up drain flange.



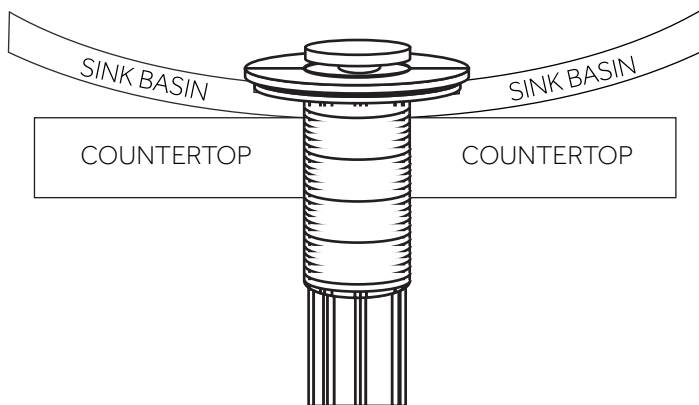
3. Slide the flat rubber gasket up the tailpiece until it meets the lip of the pop-up drain flange.



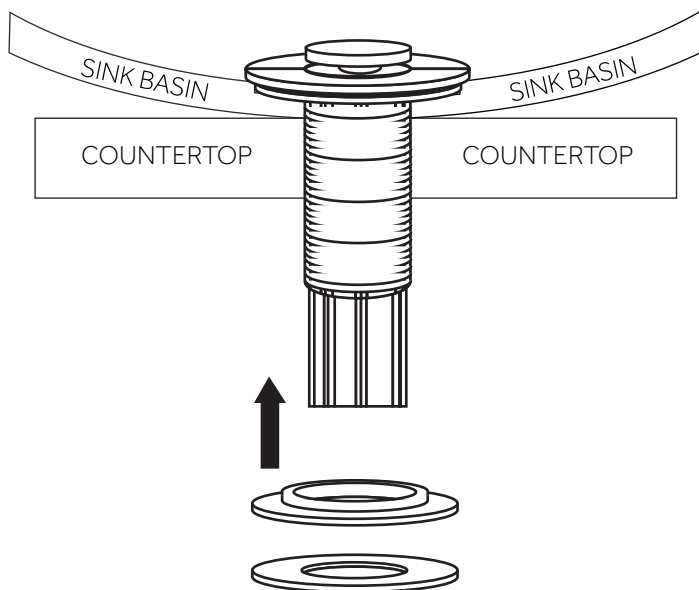


ULTRA FAUCET INSTALLATION

4. Insert the drain flange and tailpiece through the top of your sink's drain hole.



5. From under your counter, slide the tapered rubber gasket followed by the plastic friction washer onto the tailpiece until they meet your sink or countertop. Be sure that the tapered side of the rubber washer is facing up.



6. Thread the lock nut onto the drain flange. Hand tighten until secure, then finish tightening with a basin wrench once the drain is properly aligned.

Important: Be careful not to overtighten, which could crack a porcelain sink or stone countertop.

