



# TREVENA SINGLE HOLE FAUCET INSTALLATION

## BEFORE YOU BEGIN

We recommend consulting a professional if you are unfamiliar with installing plumbing fixtures. Signature Hardware accepts no liability for any damage to the faucet, plumbing, sink, counter top, or for personal injury during installation.

Observe all local plumbing and building codes.

Unpack and inspect the faucet for damage. If any damage is found, contact our Customer Relations team at 1-866-855-2284.

---

## GETTING STARTED

- Ensure that you have gathered all the required materials that are needed for the installation.
- For these instructions, it is assumed that the old faucet has been completely removed and any necessary repairs or modifications to the water supply have been completed.

## TOOLS AND MATERIALS:



Plumbers Tape



Thread Sealant



Adjustable Wrench



Small Bucket



Basin Wrench

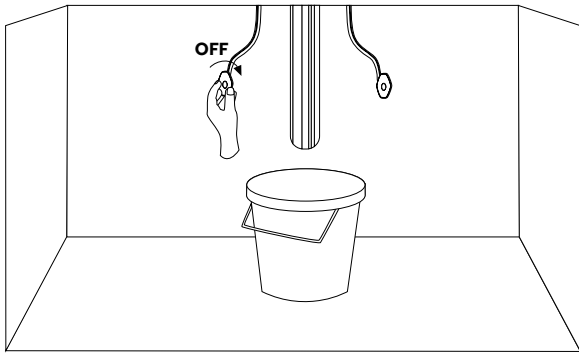


# TREVENA SINGLE HOLE FAUCET INSTALLATION

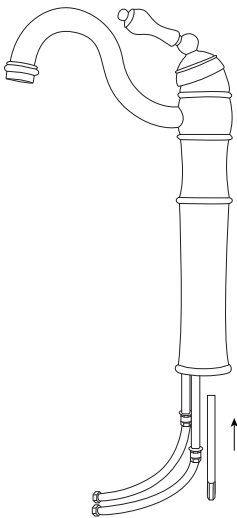
## INSTALLATION

1. Ensure that the water supply below your sink is completely shut off by turning the shutoff valves all the way to the right.

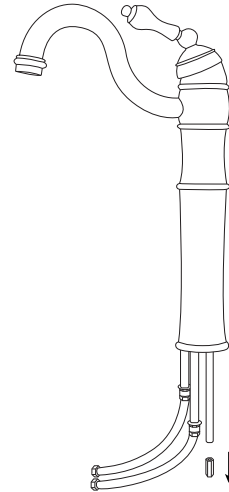
**Tip:** Place a small bucket below your workspace to catch any water that may drip during the installation process.



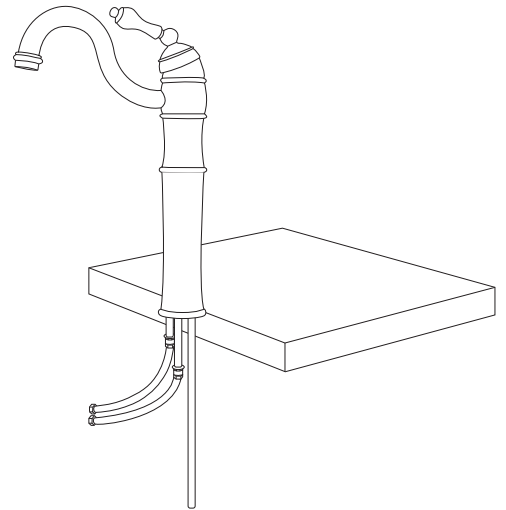
2. Attach the threaded mounting post to the faucet. Slide the post into the base, and thread into the faucet until hand-tight. The side of the post containing longer thread should be facing downward.



3. Remove the brass lock nut from the mounting post and set aside.



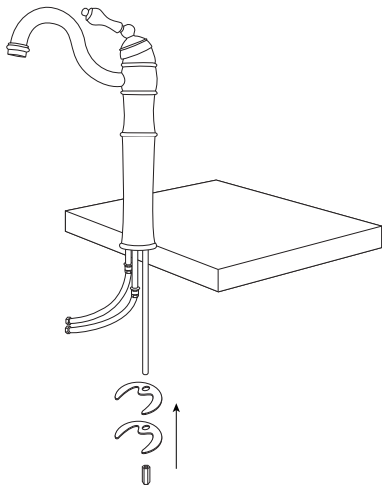
4. Insert the faucet into its prepared mounting hole. If using the optional 4" baseplate, position the baseplate over the mounting hole before inserting.



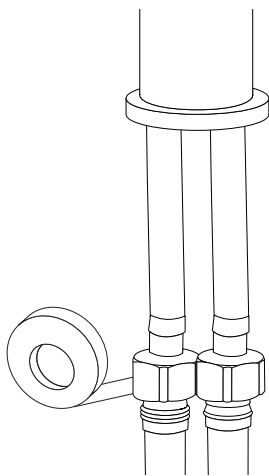


# TREVENA SINGLE HOLE FAUCET INSTALLATION

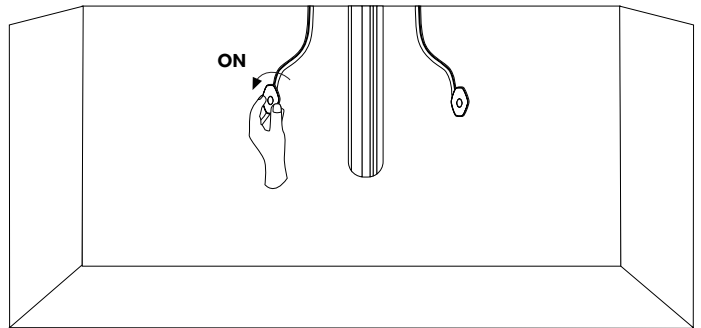
5. From below, slide the rubber washer onto the mounting post followed by the metal washer. Thread the brass lock nut back into the mounting post to secure. Tighten firmly.



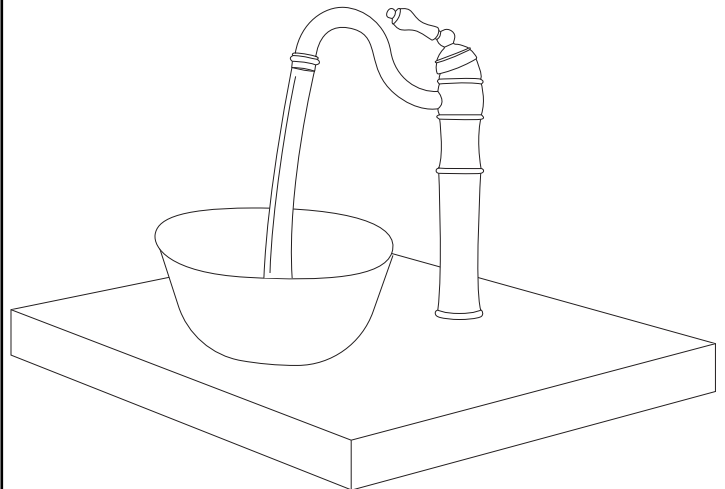
6. Apply plumber's tape or thread sealant to the threading on each braided water line. Attach the water lines to your main water supply. Ensure that you are connecting the hot and cold lines appropriately.



7. Once installation is complete, turn the main water supply back on from underneath your sink. Check for any leaks underneath.



8. Proceed to the drain installation. Once complete, remove the aerator from the spout and turn the faucet on for testing. Check to ensure that both hot and cold water are running properly. Allow the water to flow for approximately 60 seconds to remove any dust or sediment within the water lines. Turn off and reattach the aerator.

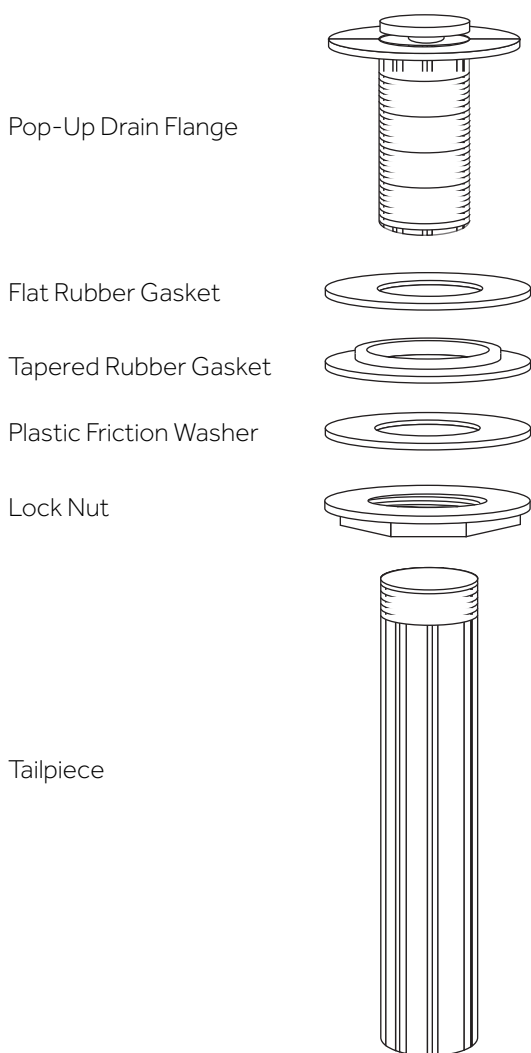




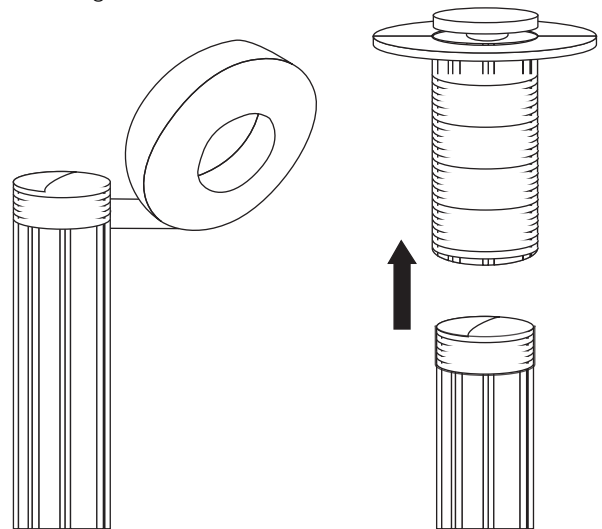
# TREVENA SINGLE HOLE FAUCET INSTALLATION

## DRAIN INSTALLATION

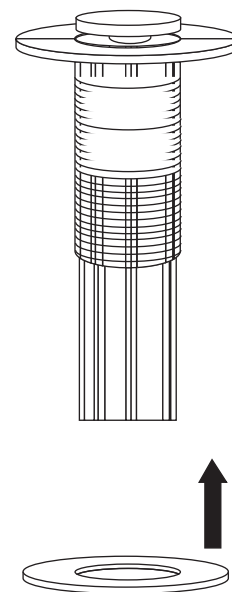
1. Dissassemble the drain assembly and lay the parts aside, in the same order they were removed. See the illustration below as a reference if needed.



2. Apply plumber's tape to the threading on the tailpiece, then reattach the tail piece to the pop-up drain flange.



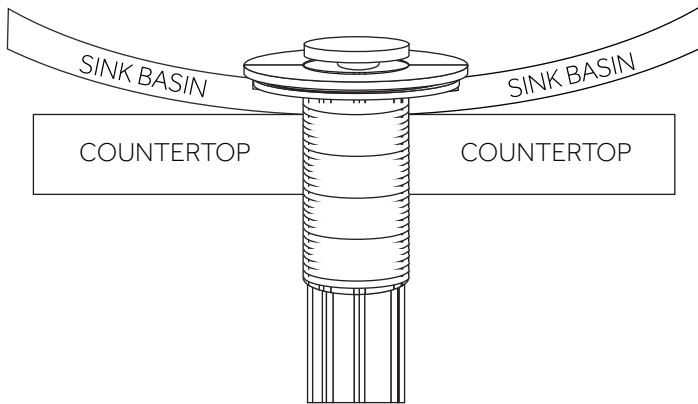
3. Slide the flat rubber gasket up the tailpiece until it meets the lip of the pop-up drain flange.



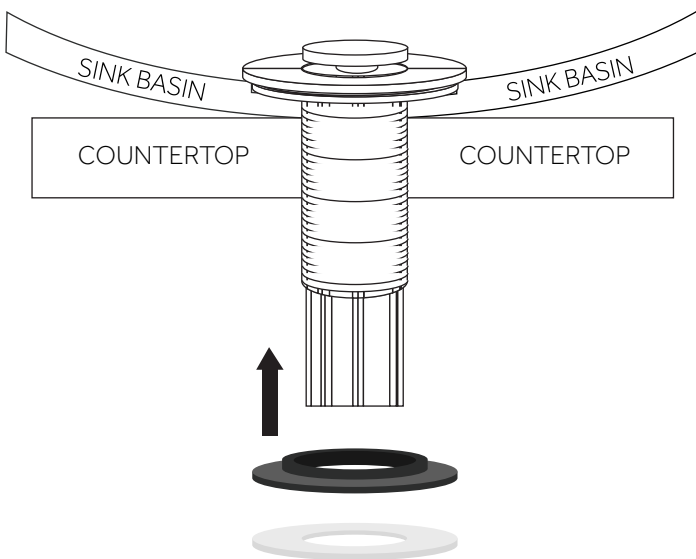


# TREVENA SINGLE HOLE FAUCET INSTALLATION

4. Insert the drain flange and tailpiece through the top of your sink's drain hole.



5. From under your counter, slide the tapered rubber gasket followed by the plastic friction washer onto the tailpiece until they meet your sink or countertop. Be sure that the tapered side of the rubber washer is facing up.



6. Thread the lock nut onto the drain flange. Hand tighten until secure, then finish tightening with a basin wrench once the drain is properly aligned.

**Important:** Be careful not to overtighten, which could crack a porcelain sink or stone countertop.

