



SIDONIE SINGLE HOLE FAUCET INSTALLATION

BEFORE YOU BEGIN

We recommend consulting a professional if you are unfamiliar with installing plumbing fixtures. Signature Hardware accepts no liability for any damage to the faucet, plumbing, sink, counter top, or for personal injury during installation.

Observe all local plumbing and building codes.

Unpack and inspect the faucet for shipping damage. If any damage is found, contact our Customer Relations team at 1-866-855-2284.

GETTING STARTED

- Ensure that you have gathered all the required materials that are needed for the installation.
- For these instructions, it is assumed that the old faucet has been completely removed and any necessary repairs or modifications to the water supply have been completed.

TOOLS AND MATERIALS:



Plumbers
Tape



Thread
Sealant



Basin
Wrench



Adjustable
Wrench



Small
Bucket

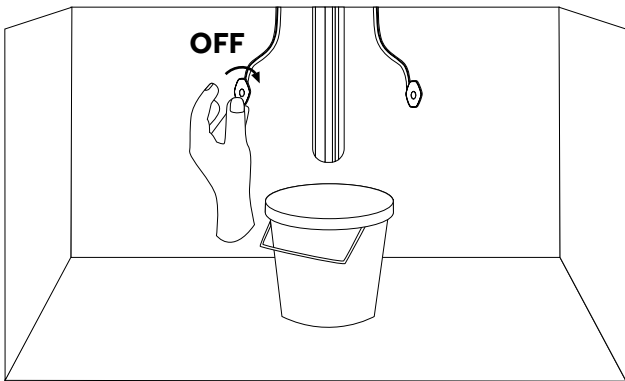


SIDONIE SINGLE HOLE FAUCET INSTALLATION

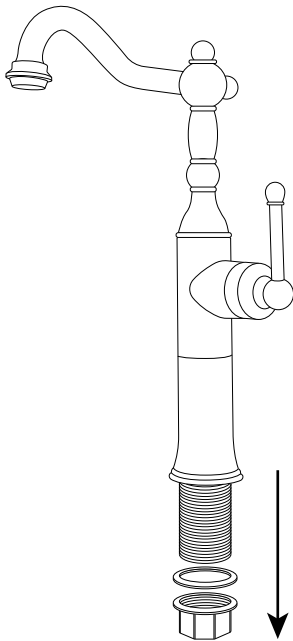
INSTALLATION

1. Ensure that the water supply below your sink is completely shut off by turning the shutoff valves all the way to the right.

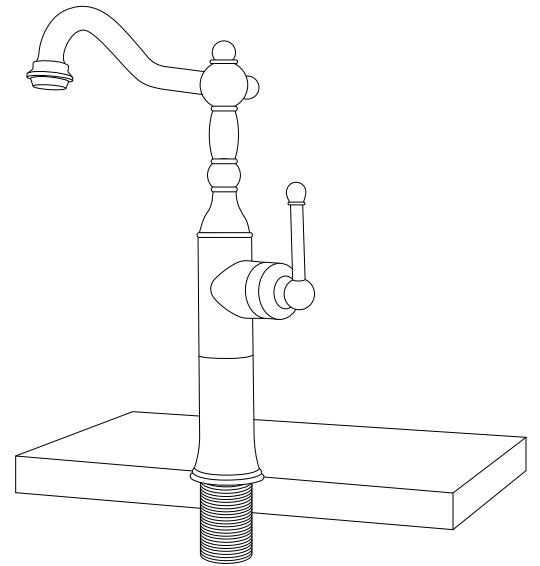
Tip: Place a small bucket below your workspace to catch any water that may drip during the installation process.



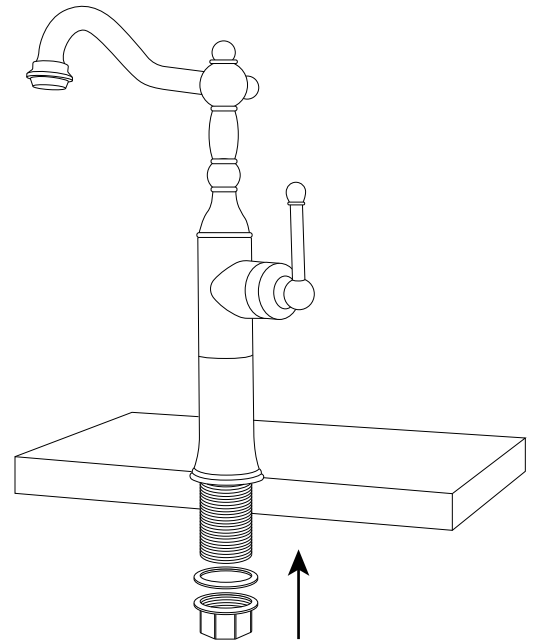
2. Remove the lock nut and rubber washer from the threaded shank. Thread the shank into the bottom of the faucet body, if not already attached.



3. Insert the faucet into its prepared mounting hole.



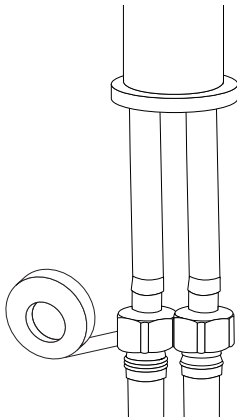
4. From beneath the sink, slide the rubber washer back onto the shank. Thread the locknut back onto the shank until hand tight. Finish tightening using a basin wrench.



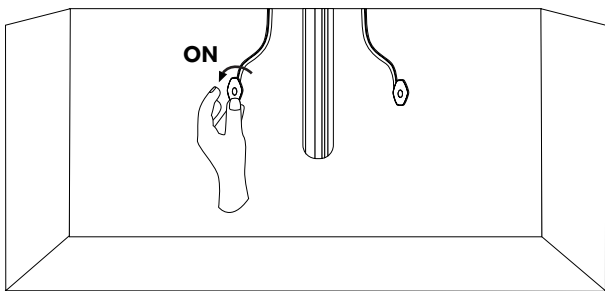


SIDONIE SINGLE HOLE FAUCET INSTALLATION

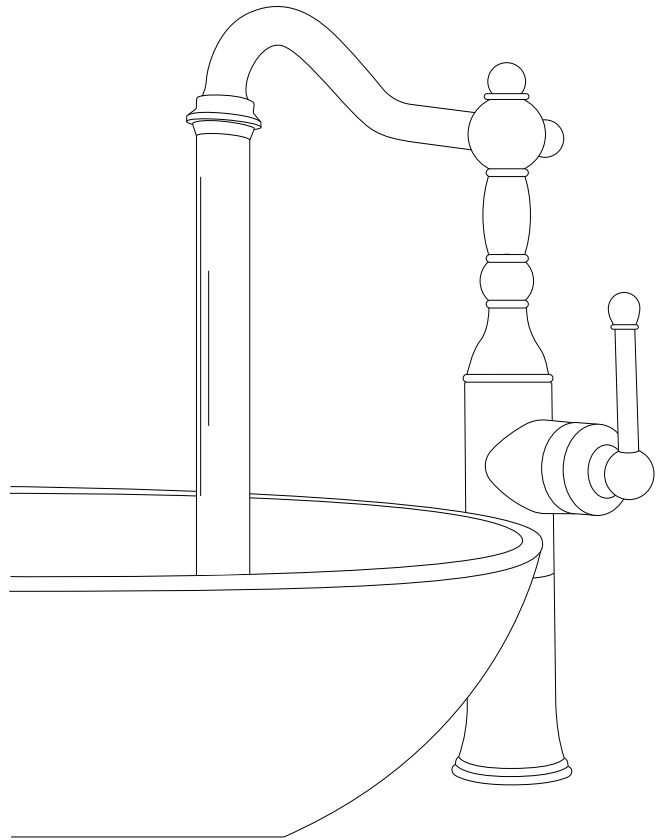
5. Apply plumber's tape or thread sealant to the threading on each of the faucet's water lines, and connect the main water hoses to the faucet. Use an adjustable wrench to tighten, but be careful not to overtighten. Ensure that you are connecting the hot and cold lines appropriately.



5. Once installation is complete, turn the main water supply back on from underneath your sink. Check for any leaks underneath.



6. Proceed to the drain installation. Once complete, remove the aerator from the spout and turn the faucet on for approximately 60 seconds to remove any dust or loose sediment from the water lines. Ensure that there are no leaks, and that both hot and cold water are running properly. Turn the water off and reattach the aerator.

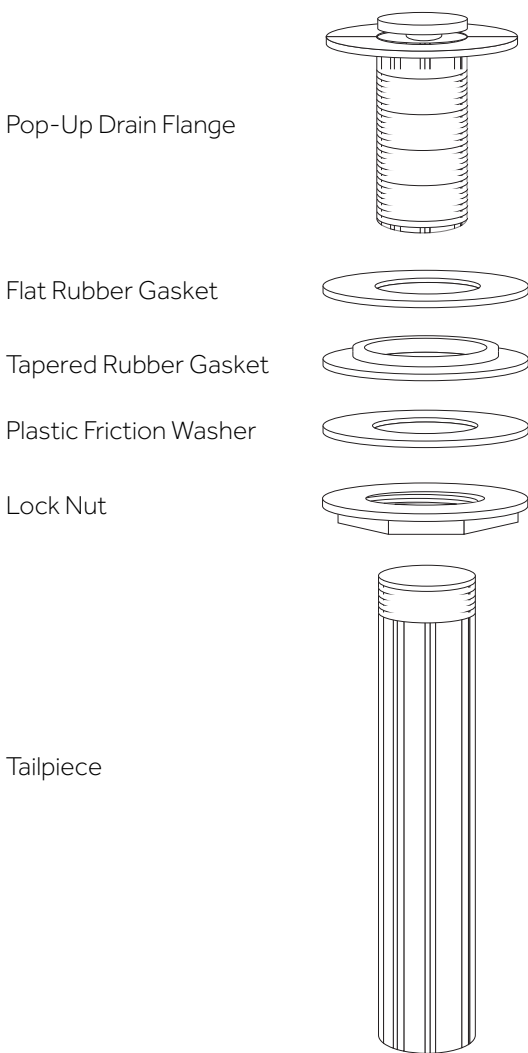




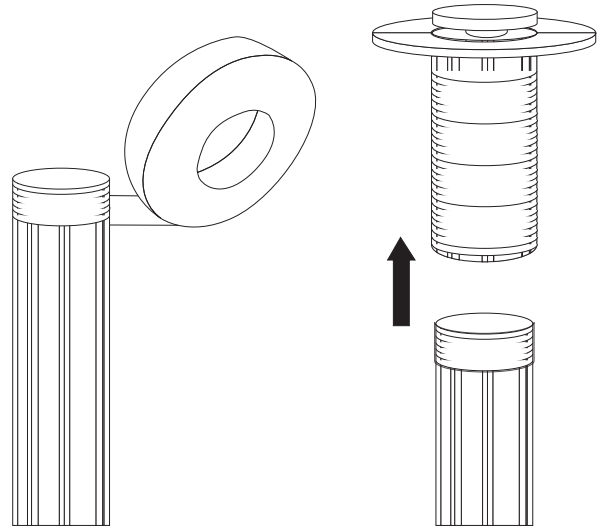
SIDONIE SINGLE HOLE FAUCET INSTALLATION

DRAIN INSTALLATION

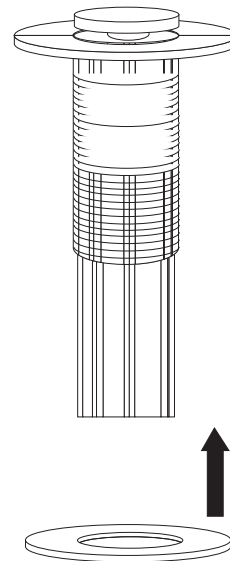
1. Dissassemble the drain assembly and lay the parts aside, in the same order they were removed. See the illustration below as a reference if needed.



2. Apply plumber's tape to the threading on the tailpiece, then reattach the tail piece to the pop-up drain flange.



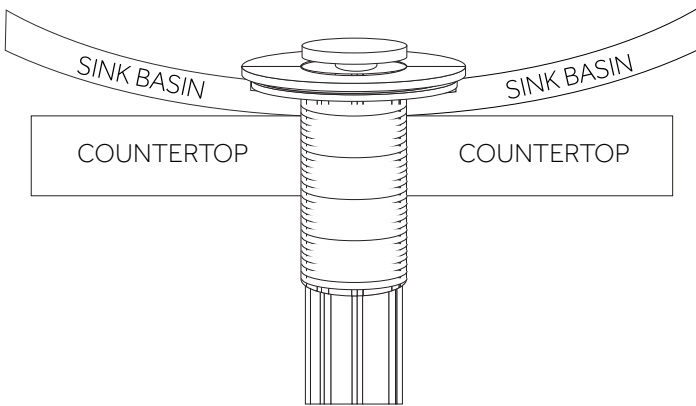
3. Slide the flat rubber gasket up the tailpiece until it meets the lip of the pop-up drain flange.



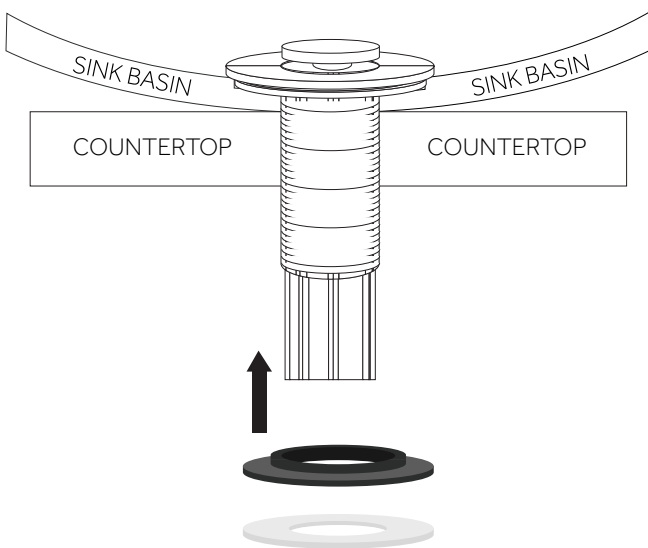


SIDONIE SINGLE HOLE FAUCET INSTALLATION

4. Insert the drain flange and tailpiece through the top of your sink's drain hole.



5. From under your counter, slide the tapered rubber gasket followed by the plastic friction washer onto the tailpiece until they meet your sink or countertop. Be sure that the tapered side of the rubber washer is facing up.



6. Thread the lock nut onto the drain flange. Hand tighten until secure, then finish tightening with a basin wrench once the drain is properly aligned.

Important: Be careful not to overtighten, which could crack a porcelain sink or stone countertop.

