



QUICK CONNECT TUB DRAIN INSTALLATION

BEFORE YOU BEGIN

We recommend consulting a professional if you are unfamiliar with installing plumbing fixtures. Signature Hardware accepts no liability for any damage to the product, the home, or for personal injury during installation.

Observe all local plumbing and building codes.

Unpack and inspect the items for shipping damage. If any damage is found, contact our Customer Relations team at 1-866-855-2284.

GETTING STARTED

- Ensure that you have gathered all the required materials that are needed for the installation.

TOOLS AND MATERIALS:



Long-nose Pliers



1-3/4" Screws
(x5)



Drill



Lubricant
(provided)



Saw



PVC Cement



Tape Measure



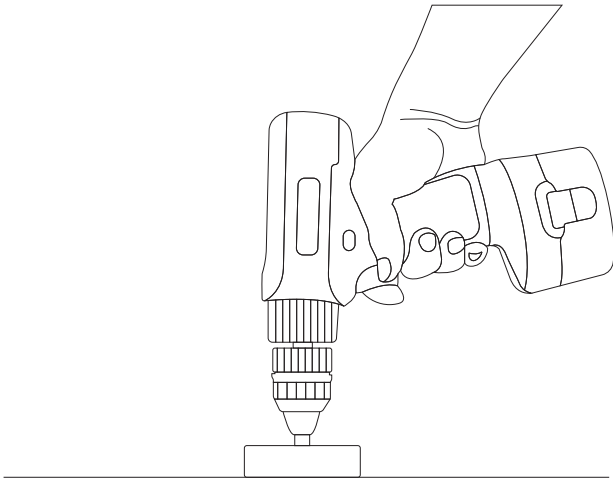
PVC Primer



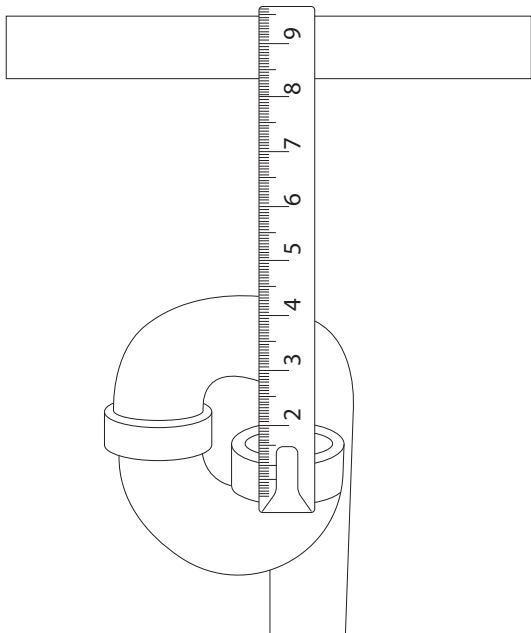
QUICK CONNECT TUB DRAIN INSTALLATION

INSTALLATION

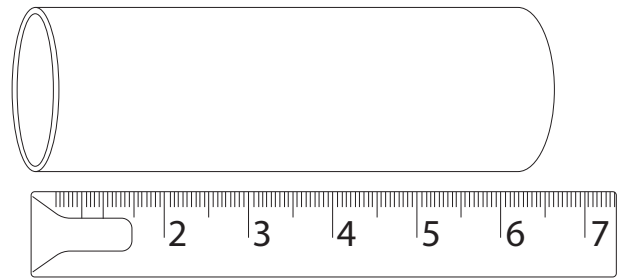
1. Drill a 4" diameter hole in the sub floor where the drain will be installed.



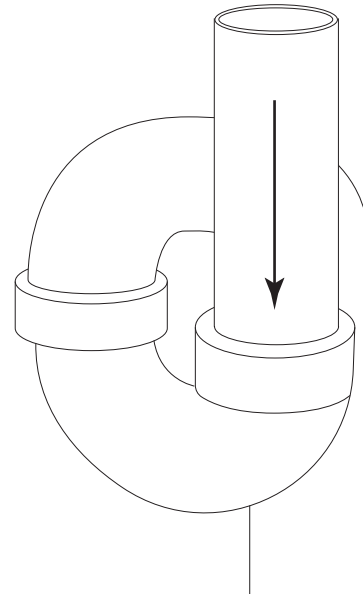
2. Measure the distance from the inside of the p-trap to the top of the sub floor (p-trap not included).



3. Cut the provided 1 1/2" PVC pipe 3" shorter than the distance between the floor and the p-trap (measurement taken in step two).



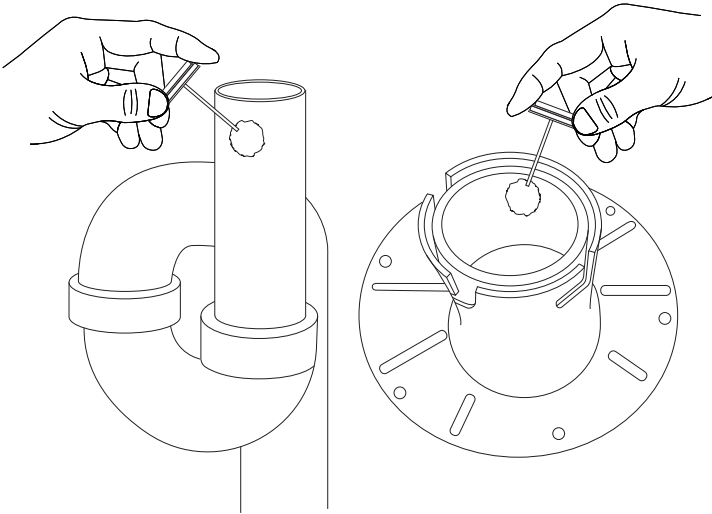
4. Apply PVC primer and cement to the outside of the PVC pipe and to the inside of the p-trap, per manufacturer instructions. Insert the pipe firmly into the p-trap until cement is bonded.



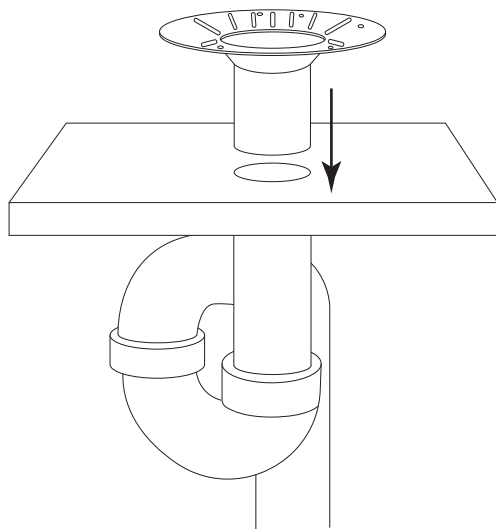


QUICK CONNECT TUB DRAIN INSTALLATION

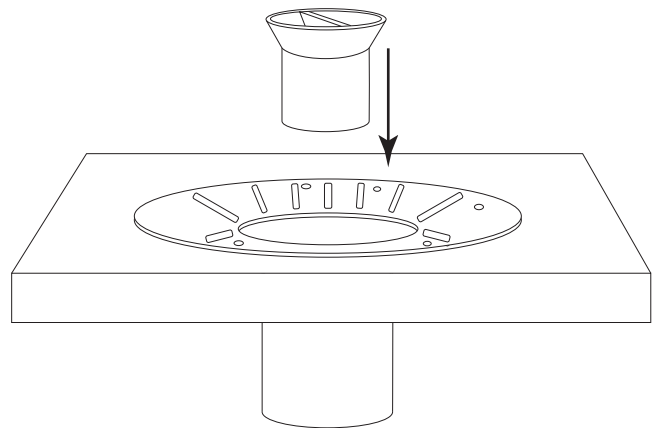
5. Apply PVC primer and cement to the outside of the PVC pipe and to the inside of the drop-in drain insert.



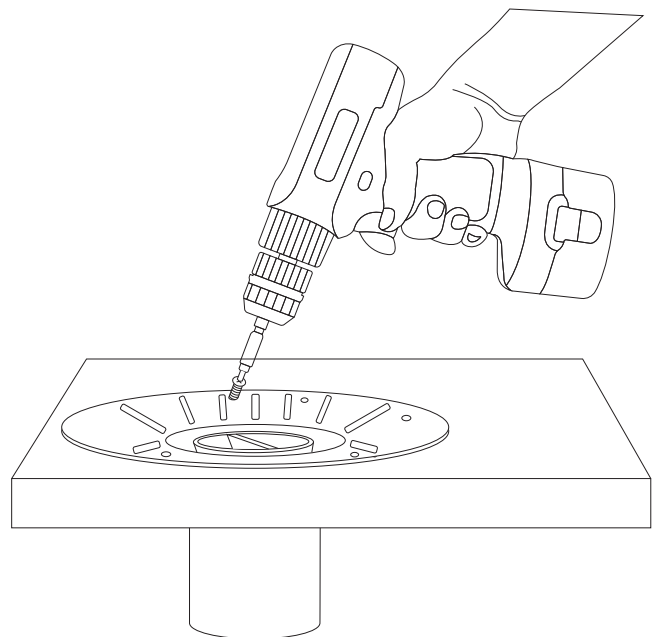
6. Slide the drop-in drain onto the PVC pipe, using a twisting motion to ensure proper cement bond, apply pressure until the cement is fully set. Ensure that the rim of the drop-in drain sits flush on the sub floor. Act quickly before cement sets.



7. Insert the drain plug into the drop-in drain, if not already inserted.



8. Turn the drain clockwise to lock into place, then secure the drain to the sub floor with screws.

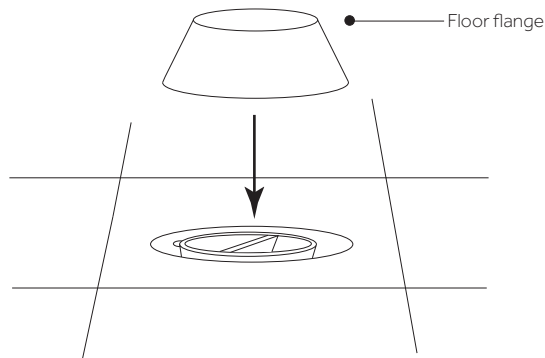




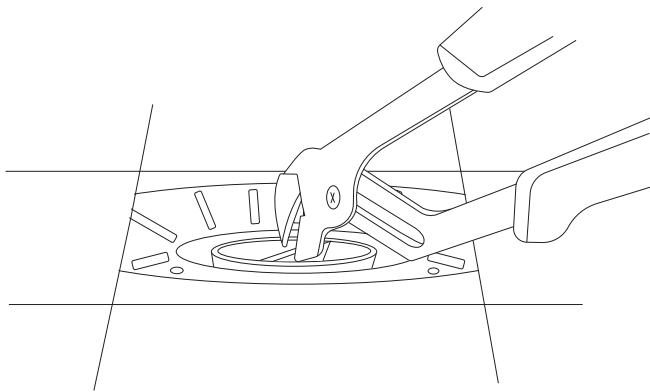
QUICK CONNECT TUB DRAIN INSTALLATION

9. Install the flooring surface, such as tile, leaving an opening around the drain as shown.

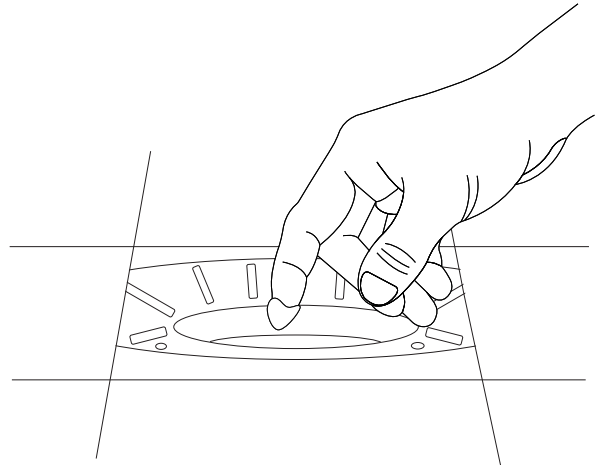
Note: If you are installing a decorative tail piece and floor flange, install the tile and leave an opening that is 2 1/4" diameter wide directly above the drain plug to ensure the floor flange covers the hole.



10. Remove the drain plug with a pair of long nose pliers.

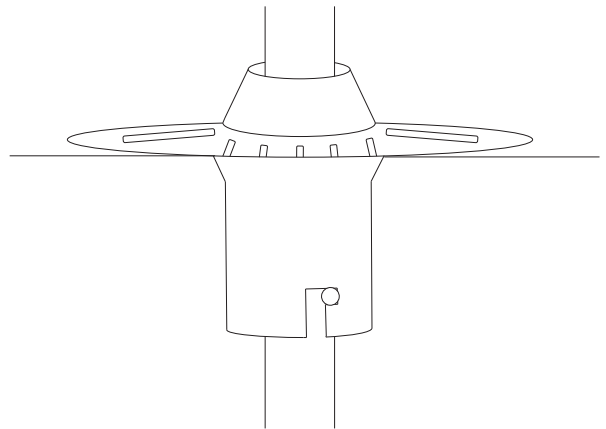


11. Once ready for tub installation, apply the provided lubricant to the rubber portion of the inside of the drain.



12. Affix the appropriate tail piece to the waste and overflow. Ensure the measurement between the base of the drain and the p-trap will accommodate the tail piece. **Do not cut the brass tail piece that is included with the drop-in drain kit.**

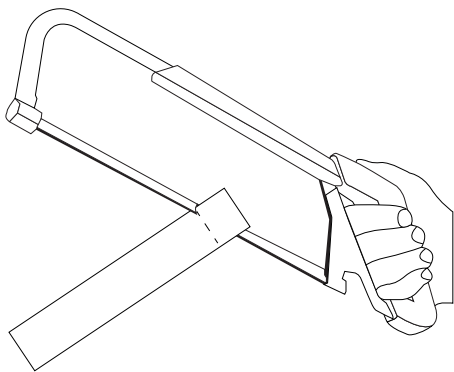
Note: If installing a freestanding tub with an exposed drain and overflow, use the tail piece provided with the tub's drain rather than those provided with the drop-in drain.



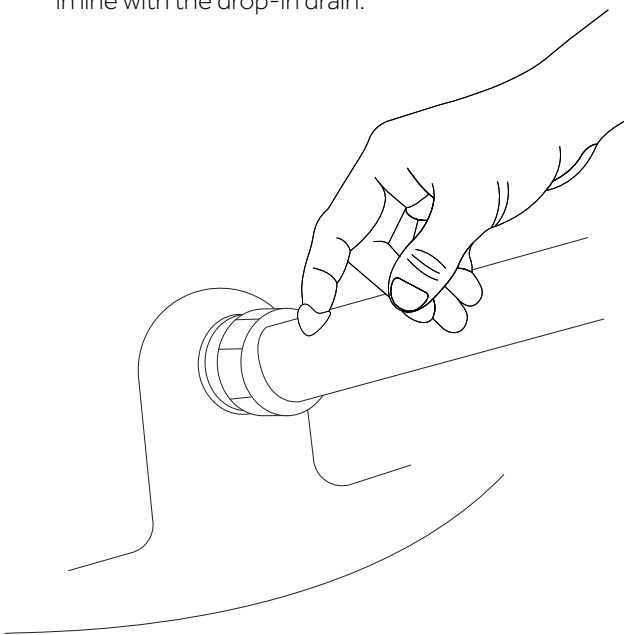


QUICK CONNECT TUB DRAIN INSTALLATION

Optional: If installing a separately purchased tail piece and floor flange, measure and cut the 12" tail piece to length by measuring from tub drain connection. Make sure the measurement extends 2" past the bottom of the drop-in drain fitting.



13. Apply the provided lubricant to the entire tail piece being used. Position the bathtub so that the tail piece is in line with the drop-in drain.



14. With caution, slowly drop the tub into position, inserting the tail piece into the drop-in drain.

