

PARK HARBOR™

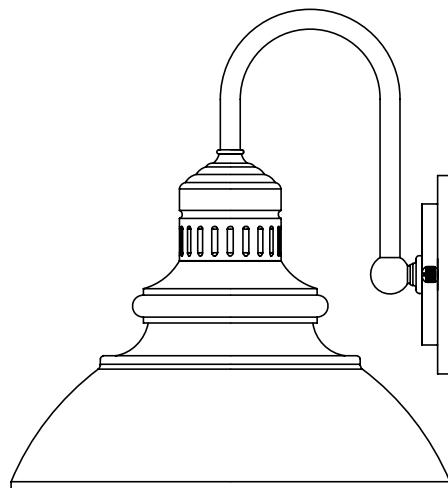
Blackshore

Exterior Lantern

PHEL1500ANPE/WB

PHEL1501ANPE/WB

PHEL1502ANPE/WB

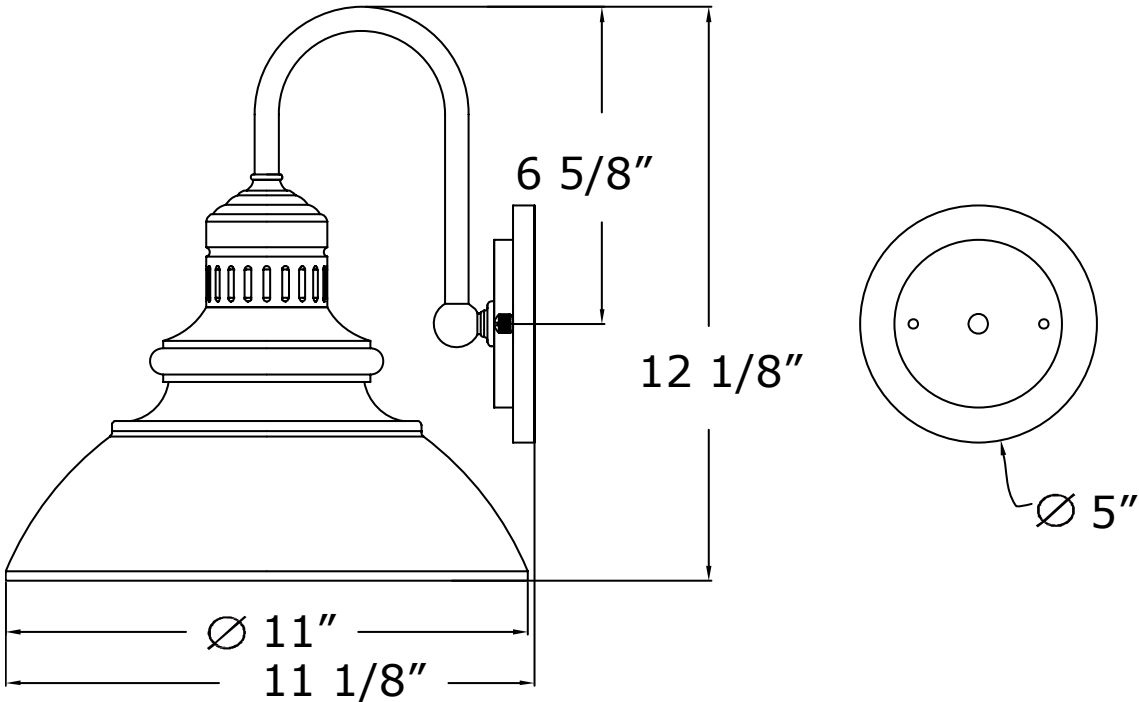


- Exterior Lanterns in Antique Pewter or Warm Bronze
- No special tools needed for assembly
- Wattage: Uses Integrated 12W LED
- Dimmable: NO
- LED Color Temperature: 3500K

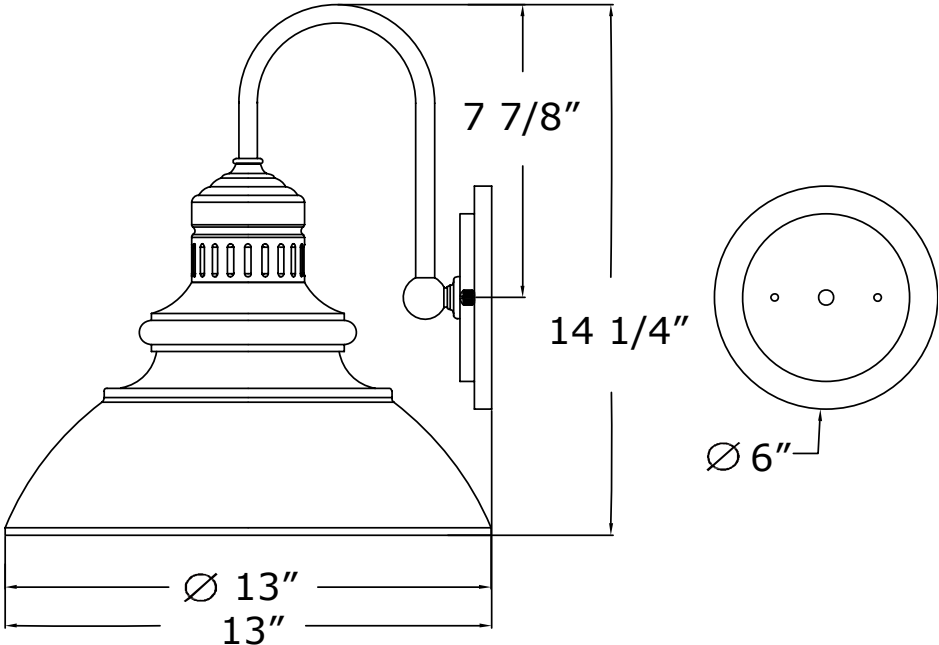
See dimensional drawing on back.

© 2016 Ferguson Enterprises, Inc. 11/16

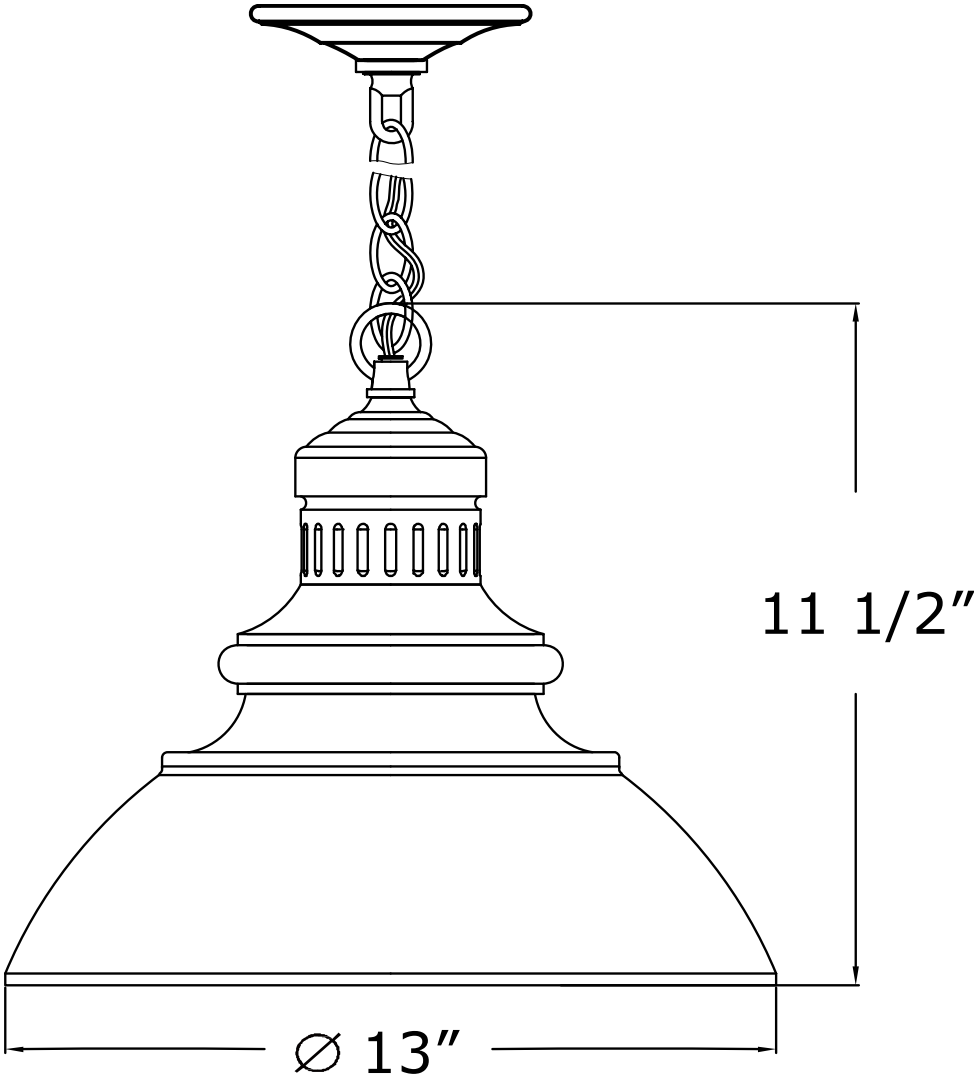
PARKHARBORLIGHTING.COM



PHEL1500ANPE/WB



PHEL1501ANPE/WB



PHEL1502ANPE/WB