



OUTDOOR LIGHT INSTALLATION

BEFORE YOU BEGIN

We recommend consulting a professional if you are unfamiliar with installing lighting fixtures. Signature Hardware accepts no liability for any damage caused, or for personal injury, during installation.

Hardwired lighting fixtures should be installed by a licensed electrician and must be in accordance with local and National Electrical Code (N.E.C) standards.

Unpack and inspect the lighting fixture for shipping damage. If any damage is found, contact our Customer Relations team at 1-866-855-2284.

GETTING STARTED

- Ensure that you have gathered all the required materials that are needed for the installation.
- Before performing any electrical work, ensure that the main power source is shut off to avoid electric shock.

TOOLS AND MATERIALS:



Phillips
Screwdriver



Step Ladder



Wire Cutters



Safety Glasses



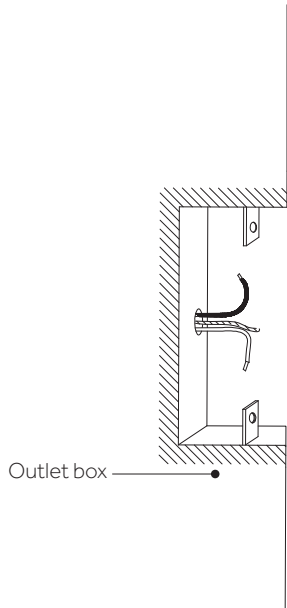
Wrench



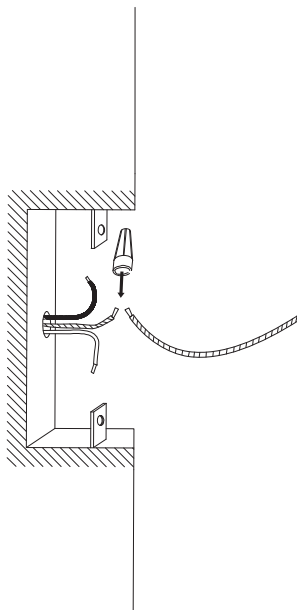
OUTDOOR LIGHT INSTALLATION

INSTALLATION

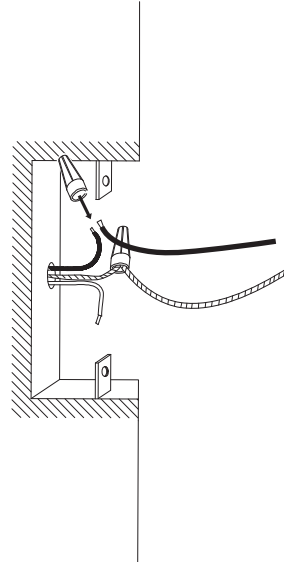
1. Make sure the outlet box is inside the building.



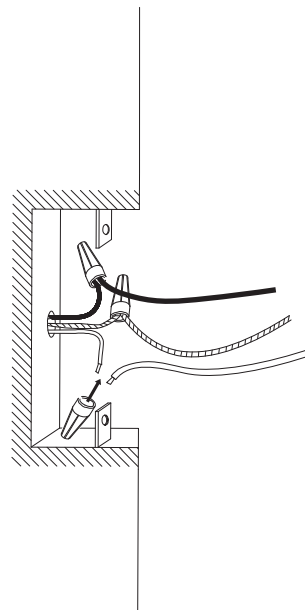
2. Attach the fixture ground wire to the outlet ground wire by using the wire connector.



3. Attach the black supply wire to the black fixture lead wire by using the wire connector.



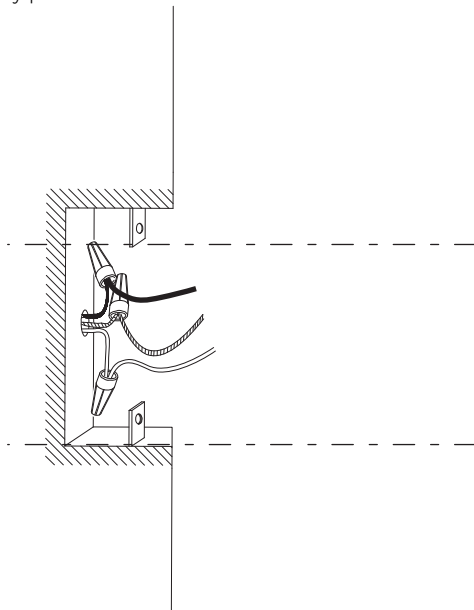
4. Attach the white supply wire to the white fixture lead wire by using the wire connector.



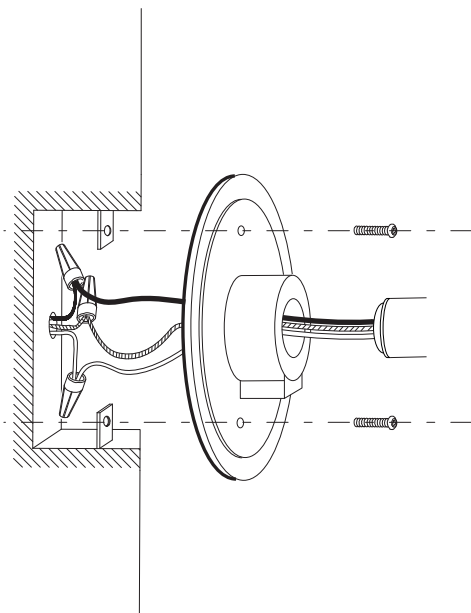


OUTDOOR LIGHT INSTALLATION

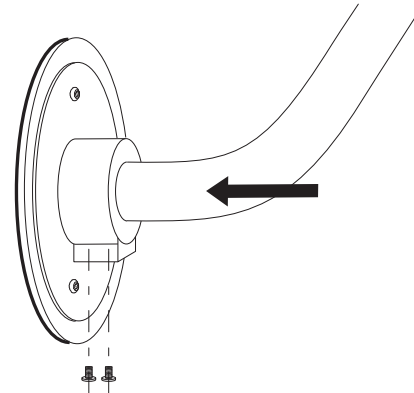
5. Carefully place all the wires into the outlet box.



6. Fasten the back plate to the outlet box using the mounting screws. Then, brush waterproof glue in the areas that the screw heads touch the back plate.

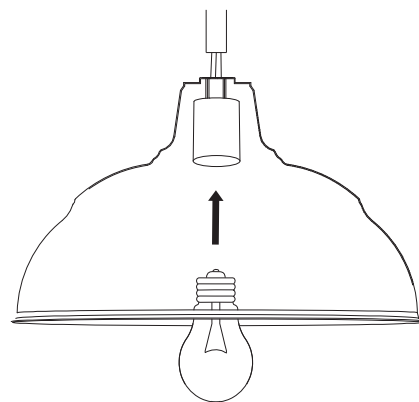


7. Position the arm through the center hole of the back plate. Ensure the smaller end of the waterproof plug is entirely inside the center hole. Then, push the arm with force into the center hole and secure it in place with screws.



8. Screw a light bulb into the socket.

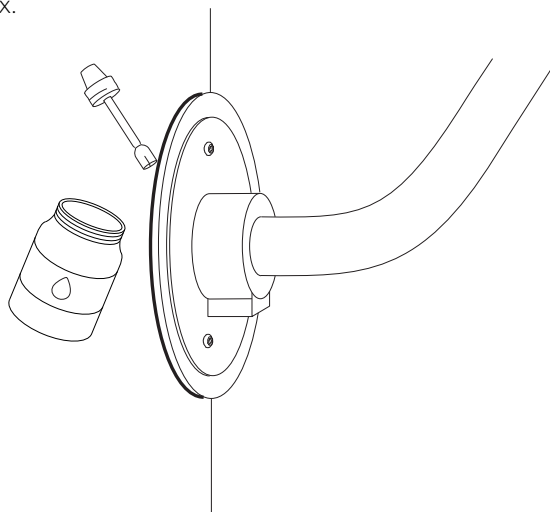
Note: Turn on electricity after screwing in the light





OUTDOOR LIGHT INSTALLATION

9. Once the back plate is secure, brush waterproof glue at the edge of the back plate that touches the wall to ensure no water will leak through to the outlet box.

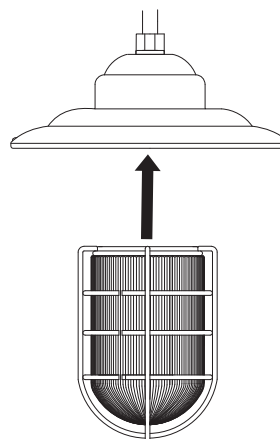


10. Depending on the light, there are two shade installation options:

A. Attach the glass shade to the light fixture by twisting it in a clockwise direction until it is unable to turn any longer.

B. Twist the wire guard in opposite directions to fit the shade. Then, secure with screw to make sure it stays in place.

OPTION A.



OPTION B.

