



OUTDOOR PENDANT LIGHT INSTALLATION

BEFORE YOU BEGIN

We recommend consulting a professional if you are unfamiliar with installing lighting fixtures. Signature Hardware accepts no liability for any damage caused, or for personal injury, during installation.

Hardwired lighting fixtures should be installed by a licensed electrician and must be in accordance with local and National Electrical Code (N.E.C) standards.

Unpack and inspect the lighting fixture for shipping damage. If any damage is found, contact our Customer Relations team at 1-866-855-2284.

GETTING STARTED

- Ensure that you have gathered all the required materials that are needed for the installation.
- Before performing any electrical work, ensure that the main power source is shut off to avoid electric shock.

TOOLS AND MATERIALS:



Phillips
Screwdriver



Step Ladder



Wire Cutters



Safety Glasses



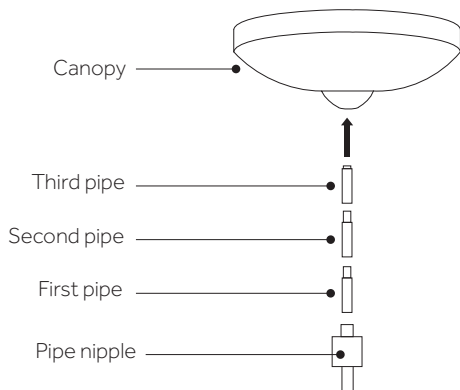
Wrench



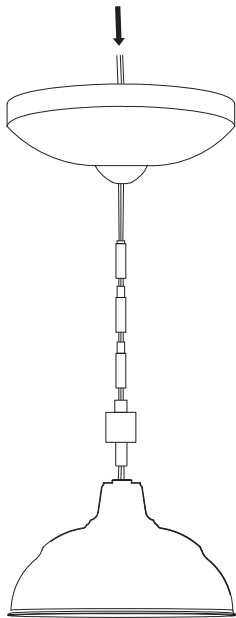
OUTDOOR PENDANT LIGHT INSTALLATION

INSTALLATION

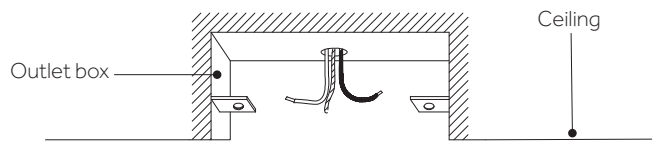
1. Connect the pipe into the nipple, the second pipe into the first pipe, and the third pipe into the second pipe. Put the connected pipes through the hole in the canopy.



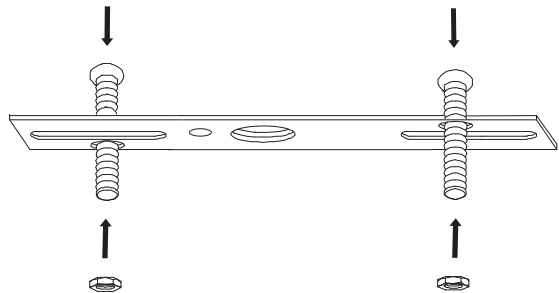
2. Thread the wires into the ends of the pipes. Then, thread the connected pipes into the shade.



3. Make sure the outlet box is inside the ceiling.



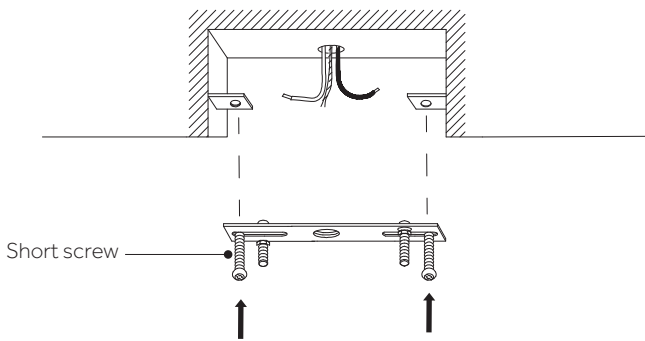
4. Insert the long screws into the holes of the cross-bar and adjust to the desired length. Then, tighten with the hex nuts.



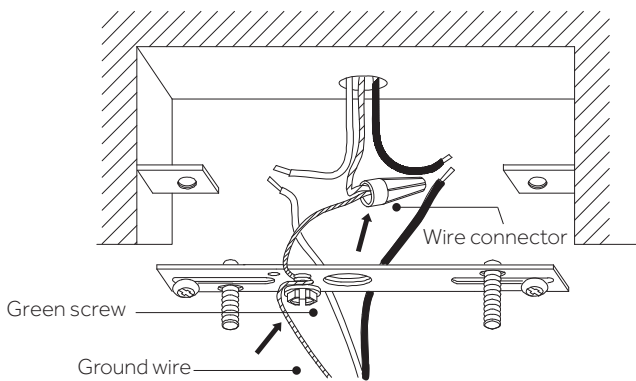


OUTDOOR PENDANT LIGHT INSTALLATION

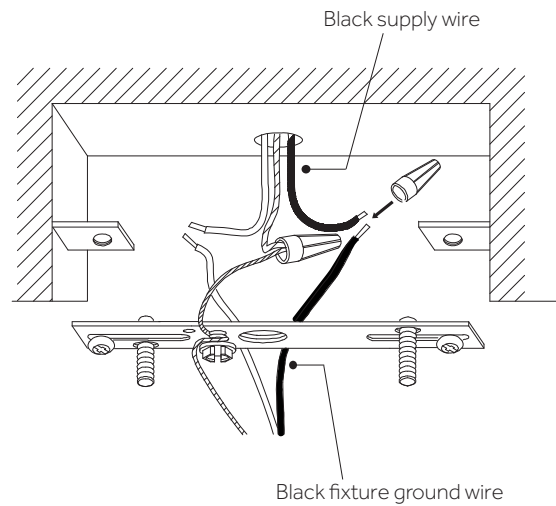
5. Using the supplied short screws, fasten the crossbar to the outlet box.



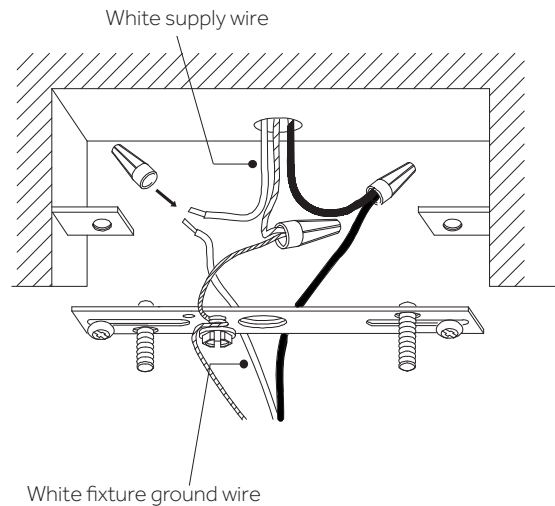
6. Wrap the fixture ground wire around the green screw on the crossbar. Then, connect the fixture ground wire with the outlet ground wire with a wire connector.



7. Attach the black supply wire to the black fixture ground wire by using the wire connector.



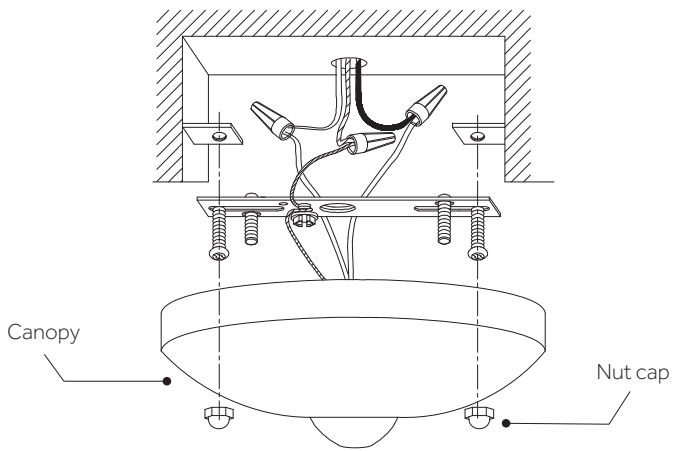
8. Attach the white supply wire to the white fixture ground wire by using the wire connector.





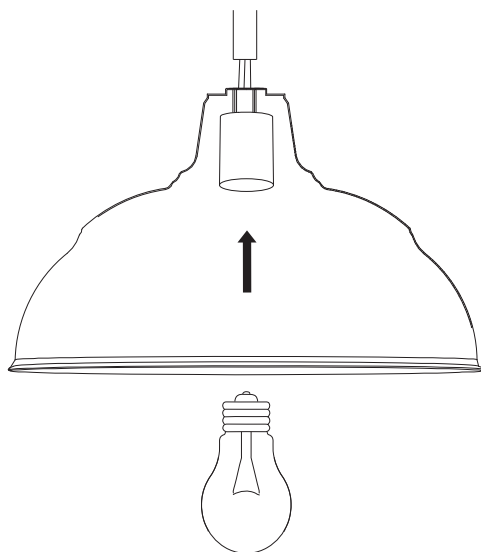
OUTDOOR PENDANT LIGHT INSTALLATION

9. Lift canopy and insert the long screws into the holes of the canopy. Then, tighten the fixture against the ceiling with the nut caps.



10. Screw a light bulb into the socket.

Note: Turn on electricity after screwing in the light bulb to ensure proper installation.



11. Twist the wire guard in opposite directions to fit the shade. Then, secure with screw to make sure it stays in place.

