



# MALEKO WALL-MOUNT FAUCET INSTALLATION

## BEFORE YOU BEGIN

We recommend consulting a professional if you are unfamiliar with installing bathroom fixtures and plumbing. Signature Hardware accepts no liability for any damage to the floor, walls, plumbing, or personal injury during installation.

For the following installation instructions, it is assumed that any old fixture has been removed and the main water supply is prepared for faucet installation.

Unpack and inspect the item for damage. If any damage is found, contact our Customer Relations team at 1-866-855-2284.

## GETTING STARTED

- Ensure that you have gathered all of the required materials that are needed for the installation.
- Shut off the main water supply where the new faucet is being installed.

## TOOLS AND MATERIALS:



Plumber's Tape



Drill



Thread Sealant



Tape Measure



Level

Hex Wrench  
(provided)Flathead  
Screwdriver

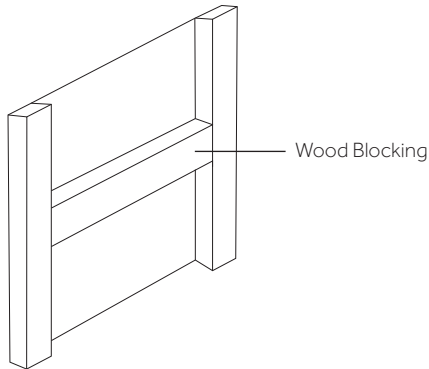


# MALEKO WALL-MOUNT FAUCET INSTALLATION

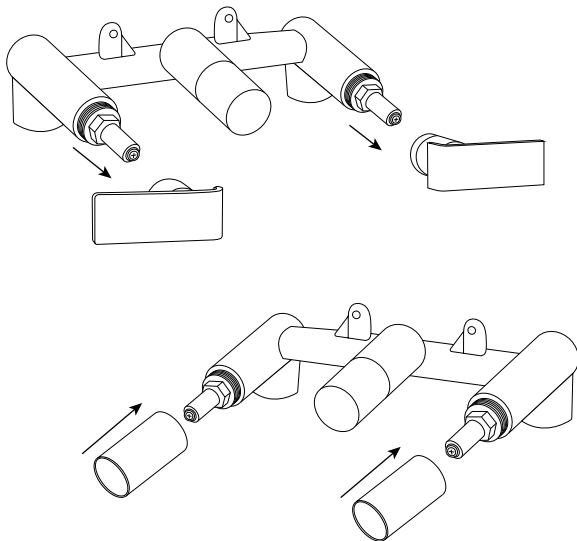
## INSTALLATION

1. Prepare for installation by installing wood blocking between the two studs where the faucet will mount. Use the guidelines located on the protective plastic sleeve for guidance.

**Important:** Take into consideration the thickness of your finished wall materials, such as tile and cement board, when calculating measurements.

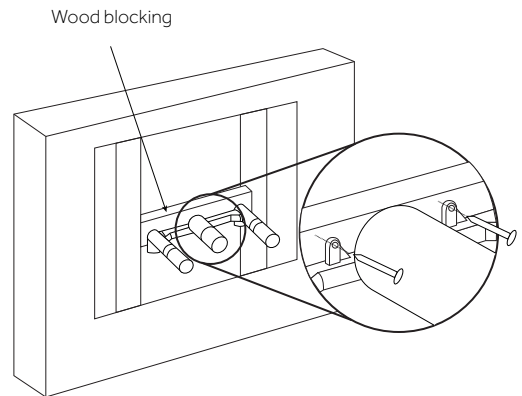


2. Remove each of the handles from the faucet body by unthreading the base of the handles from the stems. Replace the handles with the plastic protective sleeves. Thread one sleeve onto each stem until hand-tight.

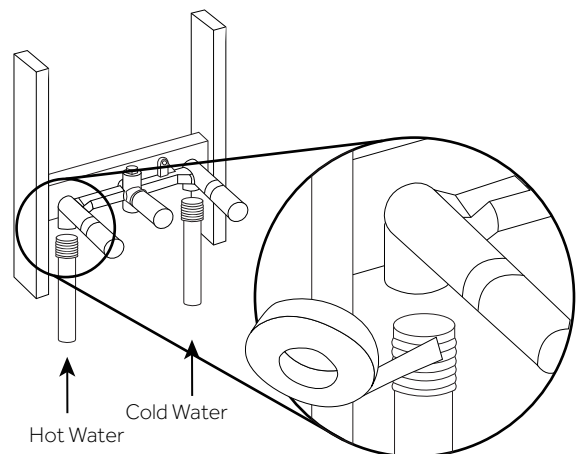


3. Mount the valve body in its prepared location. Attach the valve body to the wood blocking using the provided anchors and screws. Use a level to ensure that the valve is mounted straight.

**Important:** Leave the protective plastic sleeves on until your finished wall is completed.



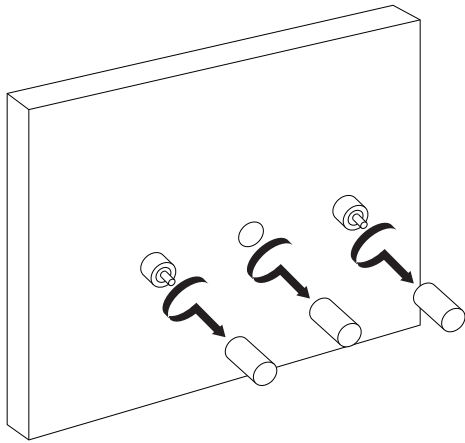
4. Route the water lines to the installed faucet body. Apply thread sealant or plumber's tape to all threaded connections to ensure a watertight seal.



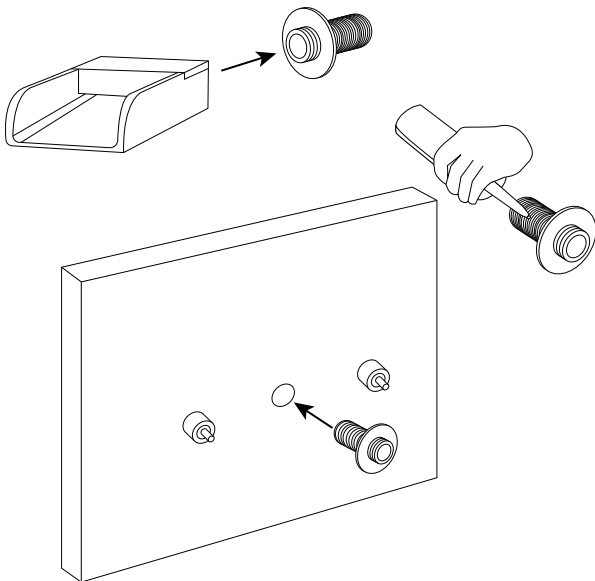


# MALEKO WALL-MOUNT FAUCET INSTALLATION

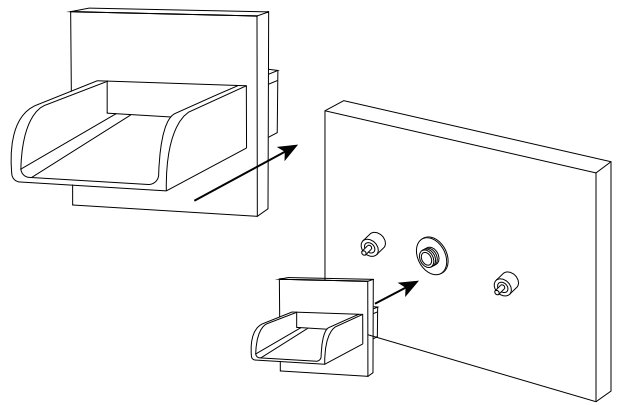
5. **Proceed to the construction of your finished wall.** Once your finished wall has been completed, remove the protective plastic sleeves from the faucet body.



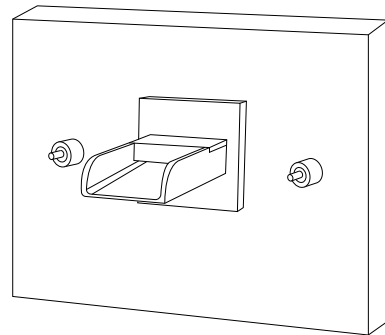
6. Remove the threaded pipe nipple from the faucet spout by loosening the set screw, then pulling free. Apply plumber's tape to the threads of the nipple, then thread the nipple into the installed faucet body, tightening firmly.



7. Slide the spout's backplate onto the back of the spout, then attach the spout to the installed pipe nipple. Re-tighten the set screw on the nipple to secure the spout.



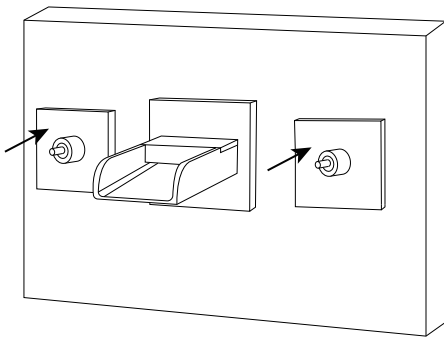
8. Push the spout's backplate flush against the wall, then tighten the set screw on the bottom of the plate to secure.



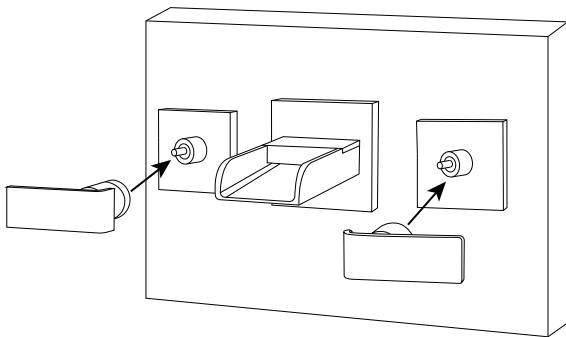


# MALEKO WALL-MOUNT FAUCET INSTALLATION

9. Slide each of the handle backplates onto the faucet body. Secure by tightening the set screw on the bottom of each plate, using the provided hex wrench.



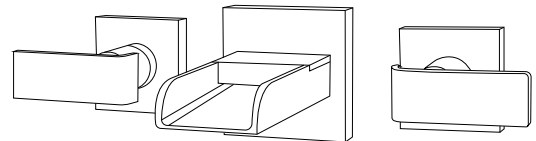
10. Attach each of the handles by sliding them onto each stem, then hand-tightening the base onto the stem.



11. Once installation is complete, turn on the main water supply. **Proceed to the installation of the sink drain.**



12. Once drain installation is complete, turn the faucet on for testing. Allow the water to flow through the spout for approximately 60 seconds, and verify that hot and cold water are running properly. Check for any leaks.

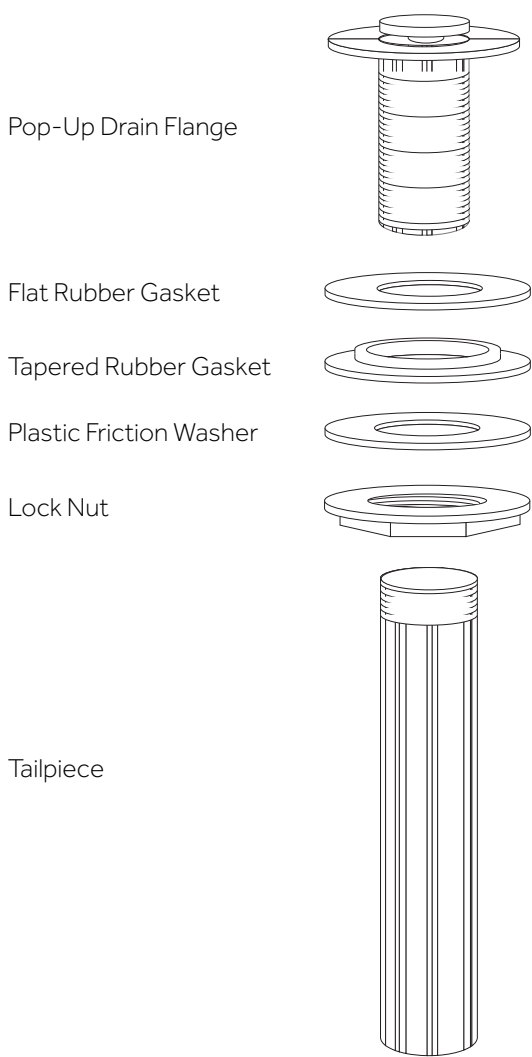




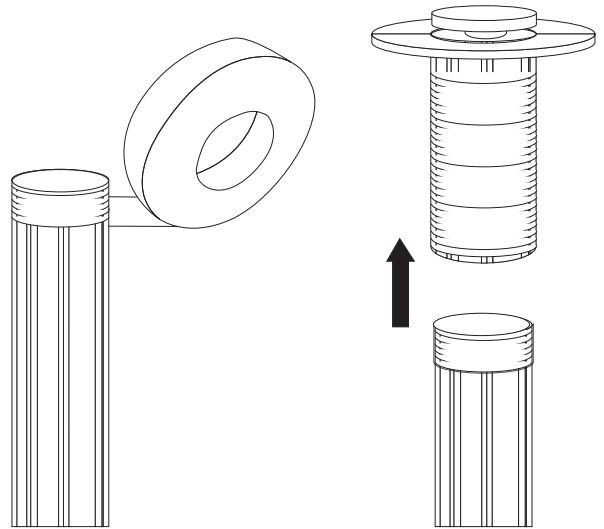
# MALEKO WALL-MOUNT FAUCET INSTALLATION

## DRAIN INSTALLATION

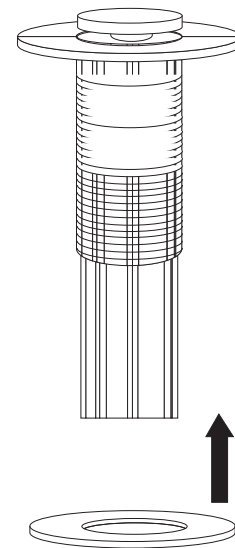
1. Dissassemble the drain assembly and lay the parts aside, in the same order they were removed. See the illustration below as a reference if needed.



2. Apply plumber's tape to the threading on the tailpiece, then reattach the tail piece to the pop-up drain flange.



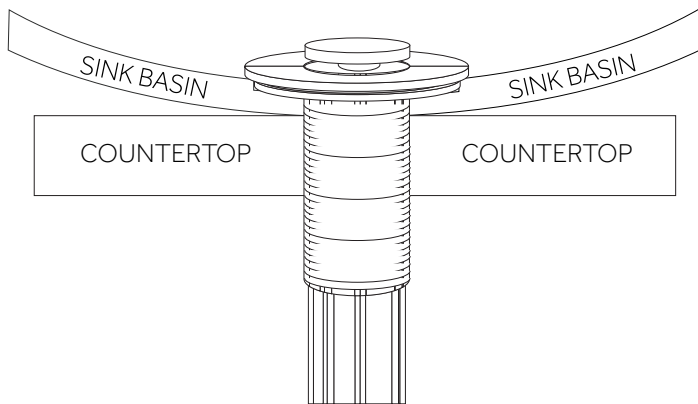
3. Slide the flat rubber gasket up the tailpiece until it meets the lip of the pop-up drain flange.



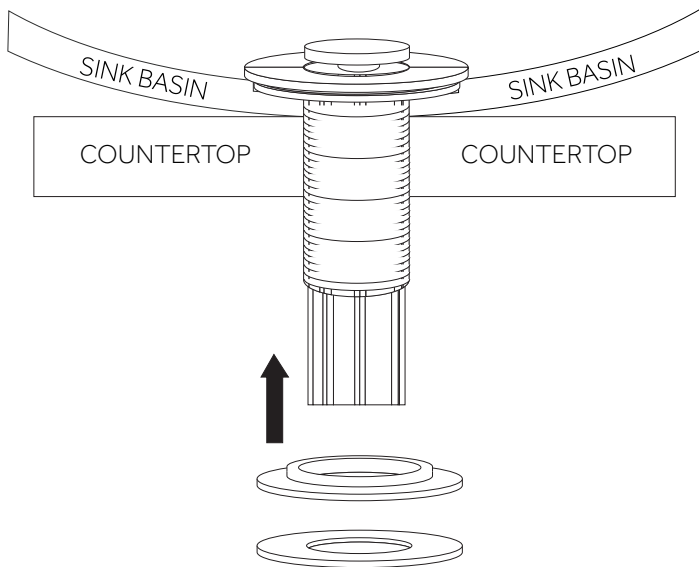


# MALEKO WALL-MOUNT FAUCET INSTALLATION

4. Insert the drain flange and tailpiece through the top of your sink's drain hole.



5. From under your counter, slide the tapered rubber gasket followed by the plastic friction washer onto the tailpiece until they meet your sink or countertop. Be sure that the tapered side of the rubber washer is facing up.



6. Thread the lock nut onto the drain flange. Hand tighten until secure, then finish tightening with a basin wrench once the drain is properly aligned.

**Important:** Be careful not to overtighten, which could crack a porcelain sink or stone countertop.

