



LINDO CENTERSET FAUCET INSTALLATION

BEFORE YOU BEGIN

We recommend consulting a professional if you are unfamiliar with installing plumbing fixtures. Signature Hardware accepts no liability for any damage to the faucet, plumbing, sink, counter top, or for personal injury during installation.

Observe all local plumbing and building codes.

Unpack and inspect the faucet for shipping damage. If any damage is found, contact our Customer Relations team at 1-866-855-2284.

GETTING STARTED

- Ensure that you have gathered all the required materials that are needed for the installation.
- For these instructions, it is assumed that the old faucet has been completely removed and any necessary repairs or modifications to the water supply have been completed.

TOOLS AND MATERIALS:



Plumbers
Tape



Thread
Sealant



Adjustable
Wrench*



Small
Bucket

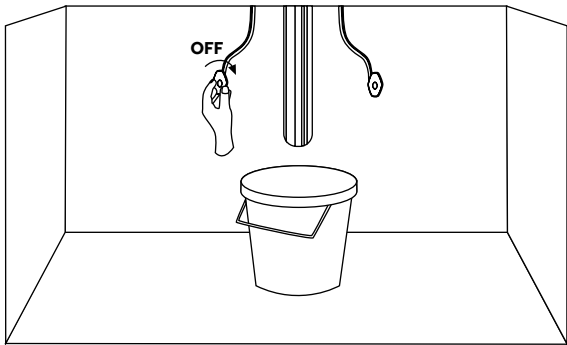


LINDO CENTERSET FAUCET INSTALLATION

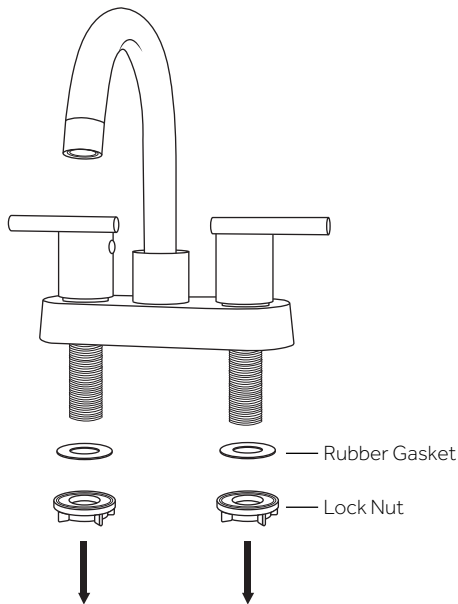
INSTALLATION

1. Ensure that the water supply below your sink is completely shut off by turning the valve all the way to the right.

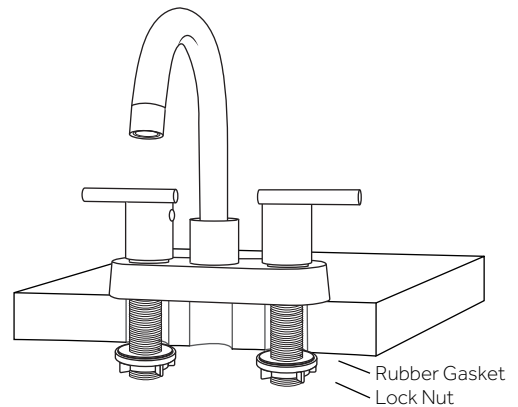
Tip: Place a small bucket below your workspace to catch any water that may drip during the installation process.



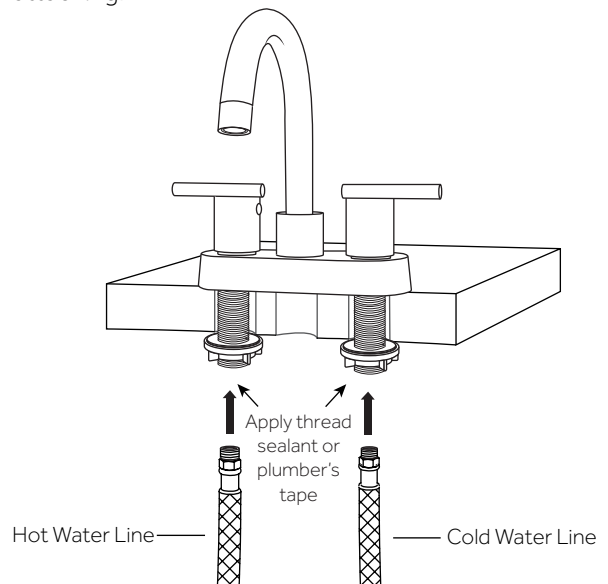
2. Remove the lock nut and rubber gasket from each of the faucet's threaded shanks. Do not remove the plastic baseplate.



3. Insert the faucet into the prepared mounting holes. From below, slide each of the rubber washers back onto the threaded shanks. Secure the faucet by tightening the provided lock nuts onto each shank. Hand tighten firmly, then finish tightening with an adjustable wrench if desired.



4. Connect the main water supply lines to the threaded shanks of the faucet. Use an adjustable wrench to tighten firmly, but be careful not to overtighten. Apply thread sealant or plumber's tape to the threads before attaching.



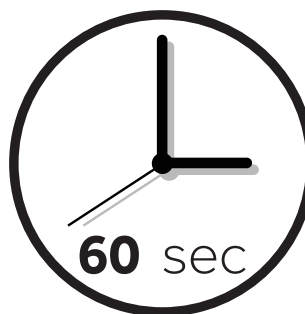


LINDO CENTERSET FAUCET INSTALLATION

5. Proceed to the installation of the sink drain. Once drain installation is complete, turn the main water supply back on from underneath your sink. Check for any leaks underneath.



6. Remove the aerator from the faucet spout. Turn the faucet on to check for any leaks. Ensure that both hot and cold water are running properly. Allow the water to flow for approximately 60 seconds to remove any dust or loose sediment from the water lines. Reattach the aerator.





BATHROOM SINK DRAIN INSTALLATION

BEFORE YOU BEGIN

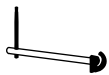
We recommend consulting a professional if you are unfamiliar with installing bathroom fixtures and plumbing. Signature Hardware accepts no liability for any damage to the floor, walls, plumbing, or personal injury during installation.

Unpack and inspect the item for damage. If any damage is found, contact our Customer Relations team at 1-866-855-2284.

TOOLS AND MATERIALS:



Plumber's Tape



Basin Wrench

*not included

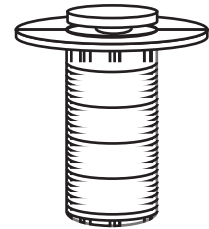
GETTING STARTED

- Ensure that you have gathered all of the required materials that are needed for the installation.

INSTALLATION

1. Dissassemble the drain assembly and lay the parts aside, in the same order they were removed. See the illustration below as a reference if needed.

Pop-Up Drain Flange



Flat Rubber Gasket



Tapered Rubber Gasket



Plastic Friction Washer



Lock Nut



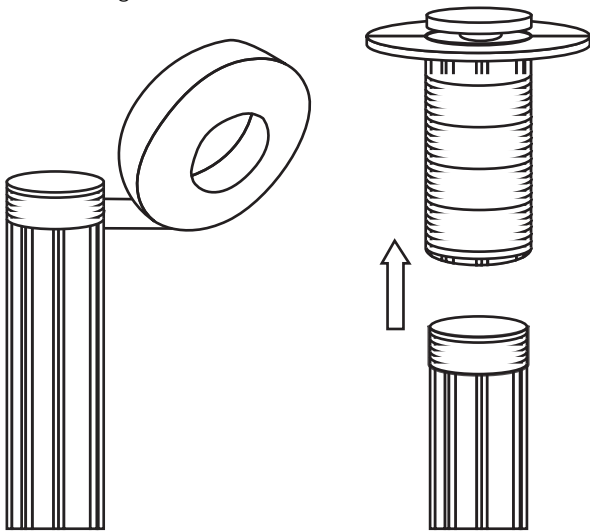
Tailpiece



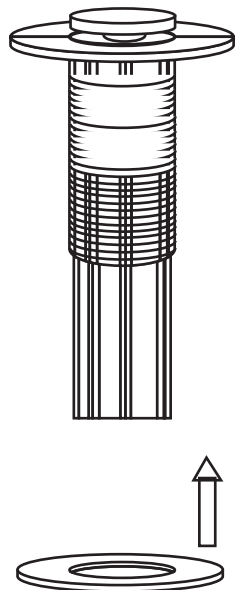


BATHROOM SINK DRAIN INSTALLATION

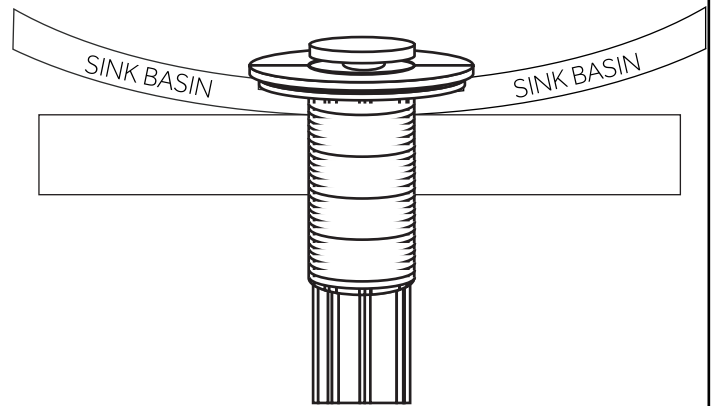
2. Apply plumber's tape to the threading on the tailpiece, then reattach the tail piece to the pop-up drain flange.



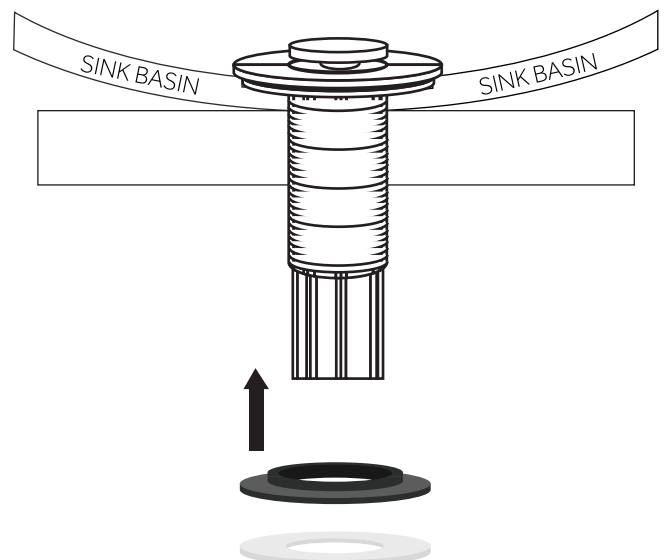
3. Slide the flat rubber gasket up the tailpiece until it meets the lip of the pop-up drain flange.



4. Insert the drain flange and tailpiece through the top of your sink's drain hole.



5. From under your counter, slide the tapered rubber gasket followed by the plastic friction washer onto the tailpiece until they meet your sink or countertop. Be sure that the tapered side of the rubber washer is facing up.





BATHROOM SINK DRAIN INSTALLATION

6. Thread the lock nut onto the drain flange. Hand tighten until secure, then finish tightening with a basin wrench once the drain is properly aligned.

Important: Be careful not to overtighten, which could crack a porcelain sink or stone countertop.

