



JAXSON SINGLE HOLE FAUCET INSTALLATION

BEFORE YOU BEGIN

We recommend consulting a professional if you are unfamiliar with installing plumbing fixtures. Signature Hardware accepts no liability for any damage to the faucet, plumbing, sink, counter top, or for personal injury during installation.

Observe all local plumbing and building codes.

Unpack and inspect the faucet for shipping damage. If any damage is found, contact our Customer Relations team at 1-866-855-2284.

GETTING STARTED

- Ensure that you have gathered all the required materials that are needed for the installation.
- For these instructions, it is assumed that the old faucet has been completely removed and any necessary repairs or modifications to the water supply have been completed.

TOOLS AND MATERIALS:



Plumbers
Tape



Thread
Sealant



Basin
Wrench



Adjustable
Wrench



Small
Bucket



Flathead
Screwdriver

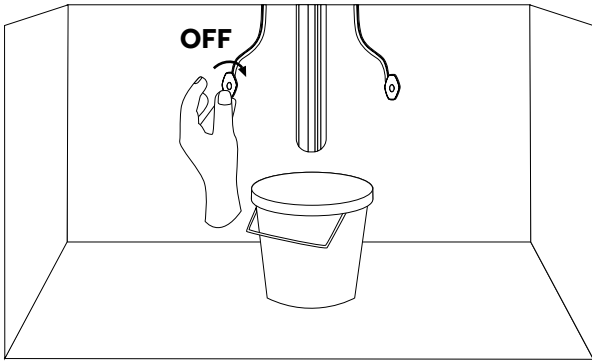


JAXSON SINGLE HOLE FAUCET INSTALLATION

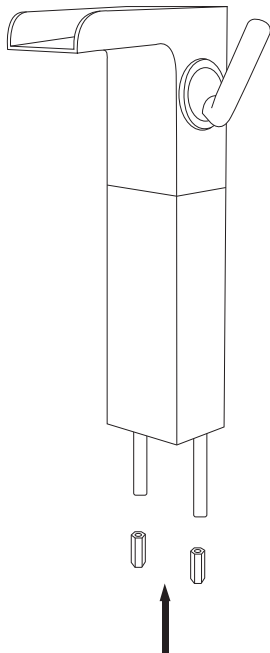
INSTALLATION

1. Ensure that the water supply below your sink is completely shut off by turning the shutoff valves all the way to the right.

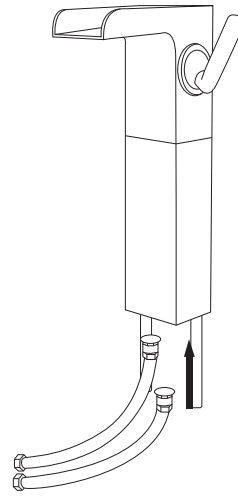
Tip: Place a small bucket below your workspace to catch any water that may drip during the installation process.



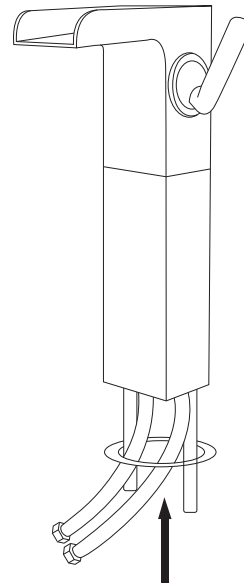
2. Remove the lock nuts from the threaded mounting posts, then attach the mounting posts to the faucet body. Tighten firmly using a screwdriver.



3. Thread the provided braided water lines into the base of the faucet. Tighten firmly, but be careful not to overtighten.



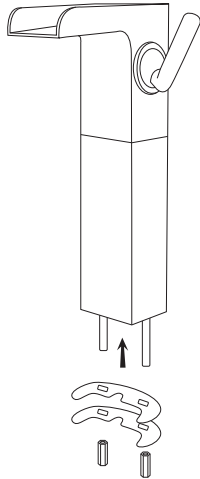
4. Insert the thin rubber pad into the base of the faucet, as shown, then insert the faucet into its prepared mounting hole.



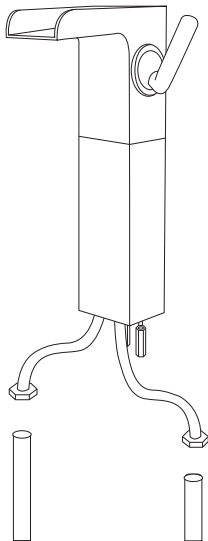


JAXSON SINGLE HOLE FAUCET INSTALLATION

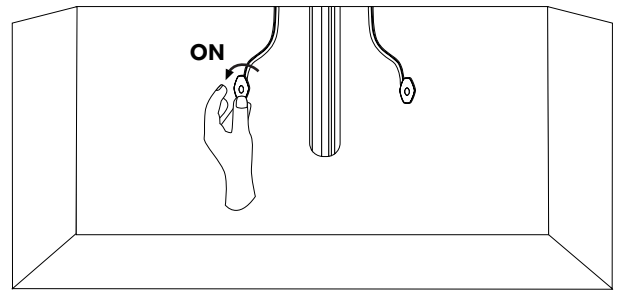
4. From beneath the sink, slide the rubber washer followed by the metal washer onto the faucet. Thread the lock nuts onto the mounting posts until hand tight. Finish tightening using the provided basin wrench.



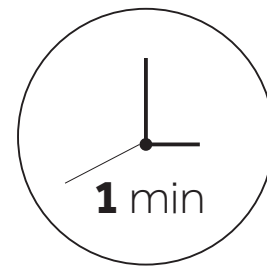
5. Apply plumber's tape or thread sealant to the threading on each of the faucet's water lines, then connect them to the main water supply. Use an adjustable wrench to tighten, but be careful not to overtighten. Ensure that you are connecting the hot and cold lines accordingly.



5. Once installation is complete, turn the main water supply back on from underneath your sink. Check for any leaks underneath.



6. Proceed to the drain installation. Once complete, turn the faucet on for approximately 60 seconds for testing. Ensure that there are no leaks, and that both hot and cold water are running properly.

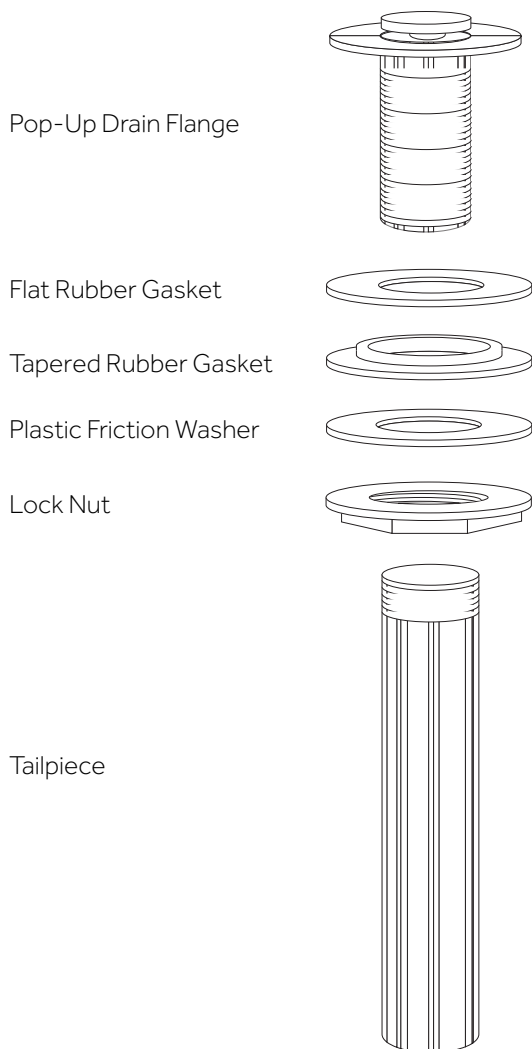




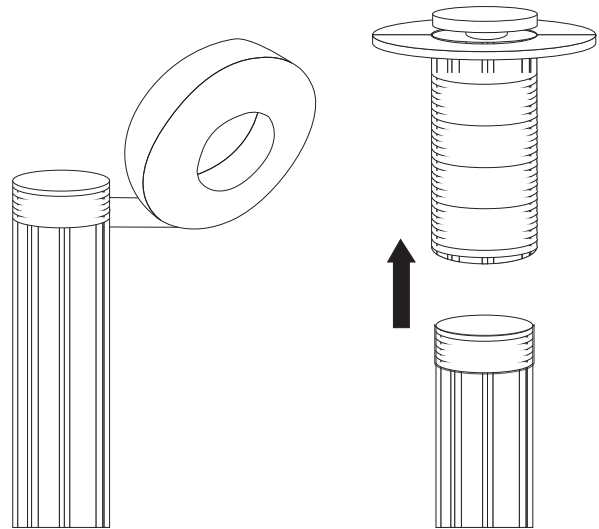
JAXSON SINGLE HOLE FAUCET INSTALLATION

DRAIN INSTALLATION

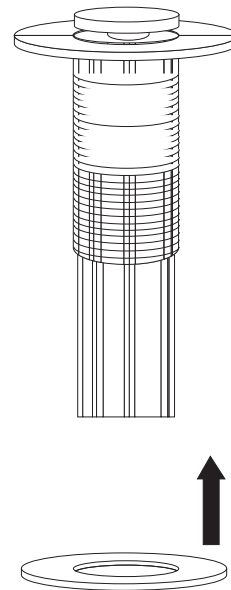
1. Dissassemble the drain assembly and lay the parts aside, in the same order they were removed. See the illustration below as a reference if needed.



2. Apply plumber's tape to the threading on the tailpiece, then reattach the tail piece to the pop-up drain flange.



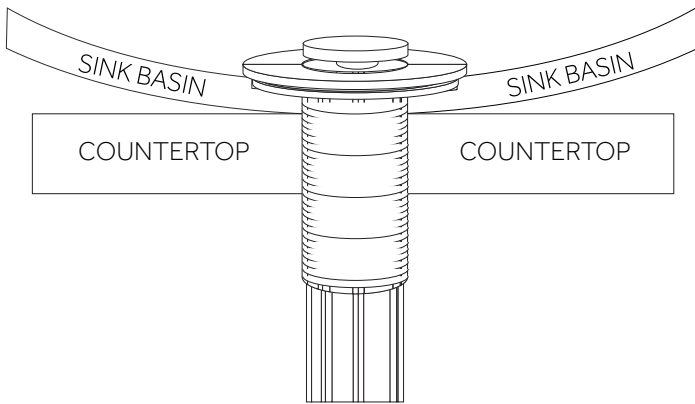
3. Slide the flat rubber gasket up the tailpiece until it meets the lip of the pop-up drain flange.



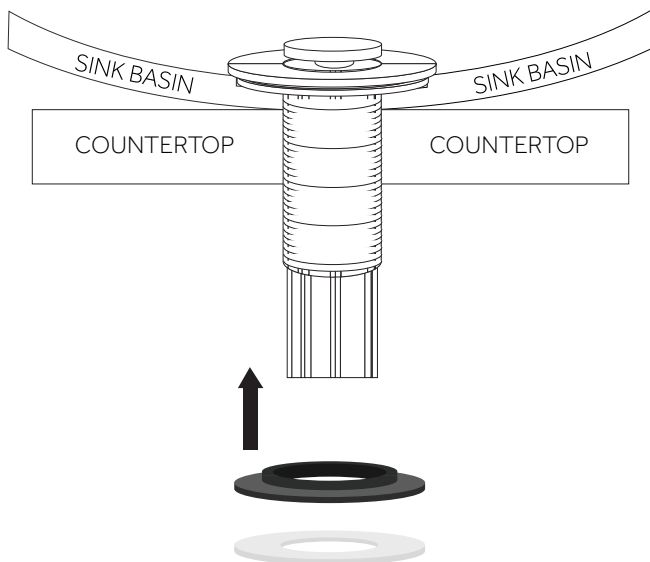


JAXSON SINGLE HOLE FAUCET INSTALLATION

4. Insert the drain flange and tailpiece through the top of your sink's drain hole.



5. From under your counter, slide the tapered rubber gasket followed by the plastic friction washer onto the tailpiece until they meet your sink or countertop. Be sure that the tapered side of the rubber washer is facing up.



6. Thread the lock nut onto the drain flange. Hand tighten until secure, then finish tightening with a basin wrench once the drain is properly aligned.

Important: Be careful not to overtighten, which could crack a porcelain sink or stone countertop.

