



HOLLYN SINGLE HOLE FAUCET INSTALLATION

BEFORE YOU BEGIN

We recommend consulting a professional if you are unfamiliar with installing plumbing fixtures. Signature Hardware accepts no liability for any damage to the faucet, plumbing, sink, counter top, floor, or for personal injury during installation.

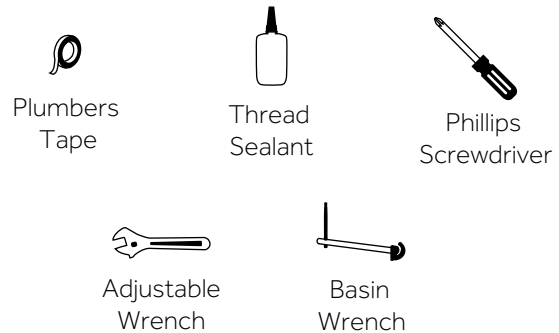
Observe all local plumbing and building codes.

Unpack and inspect the items for shipping damage. If any damage is found, contact our Customer Relations team at 1-866-855-2284.

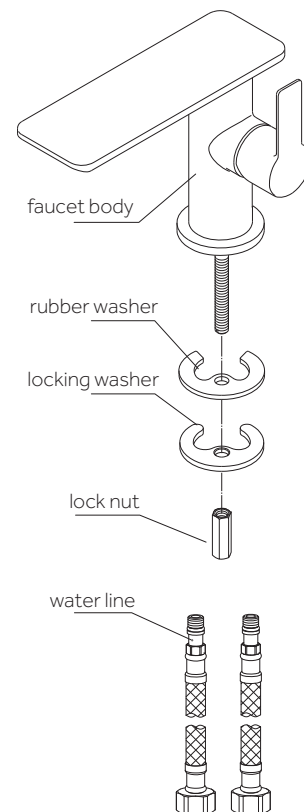
GETTING STARTED

- Ensure that you have gathered all the required materials that are needed for the installation.
- For these instructions, it is assumed that the old faucet has been completely removed and any necessary repairs or modifications to the water supply have been completed.

TOOLS AND MATERIALS:



PART IDENTIFICATION

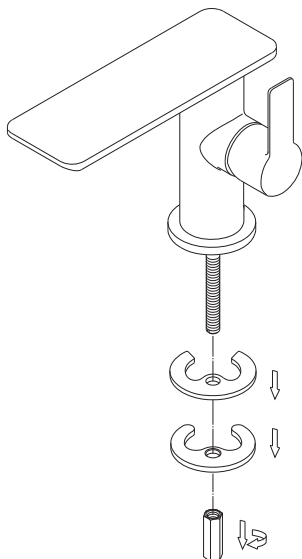




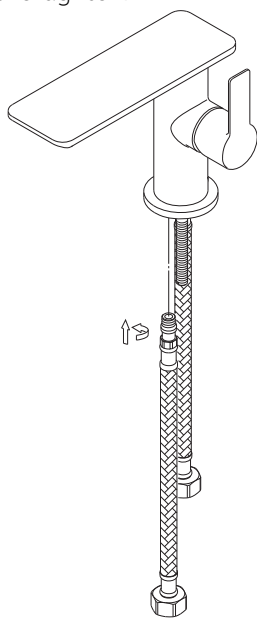
HOLLYN SINGLE HOLE FAUCET INSTALLATION

INSTALLATION

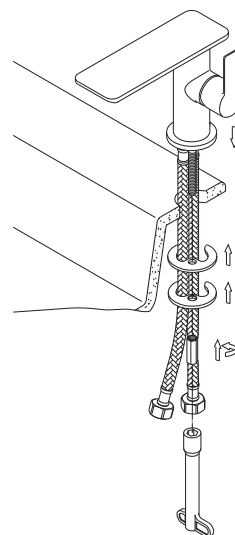
1. Remove the lock nuts, locking washer, and rubber washer from the faucet body, as shown.



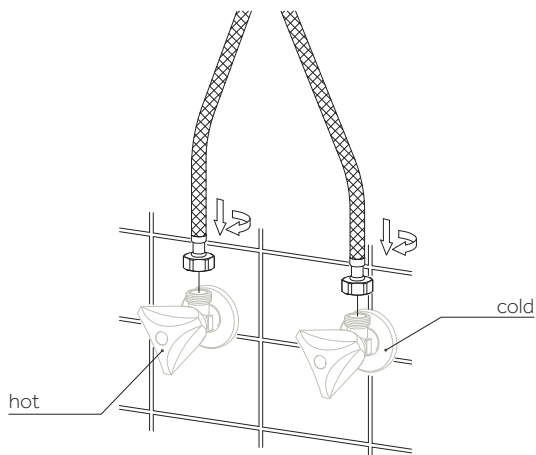
2. Connect the water lines to the faucet body by threading them into the base, as shown. Ensure that the hot is on the left, and the cold is on the right. Be careful not to overtighten.



3. Insert the faucet into its prepared mounting hole. From below, slide the rubber washer and locking washer onto the faucet. Secure the faucet using the lock nut. Tighten firmly using the provided wrench.



4. To complete installation, attach the main water lines to the valve stems. Ensure that you are connecting the hot and cold lines appropriately. Apply plumber's tape or thread sealant to the threads before tightening. Once drain installation is complete, turn the faucet on and allow water to flow for approximately 60 seconds to check functionality and check for any leaks.

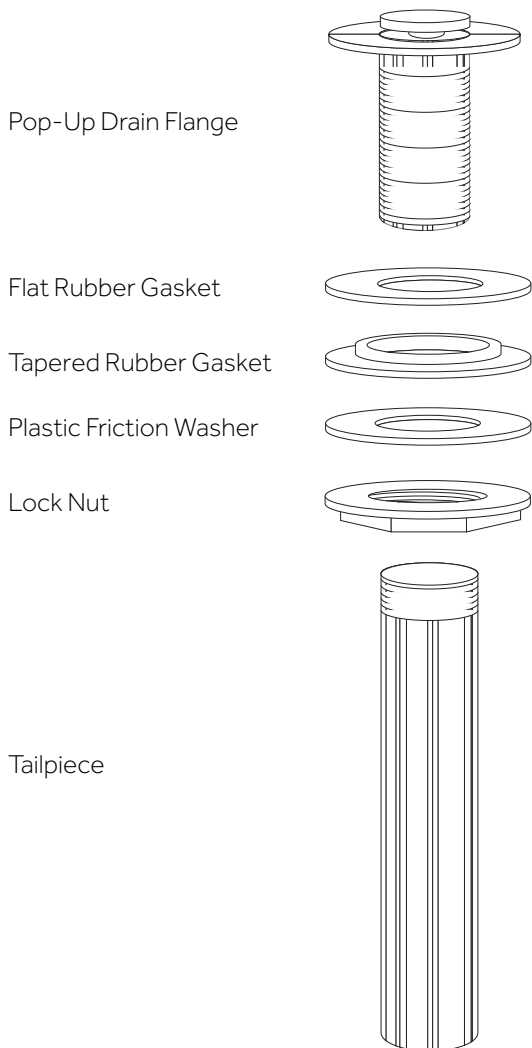




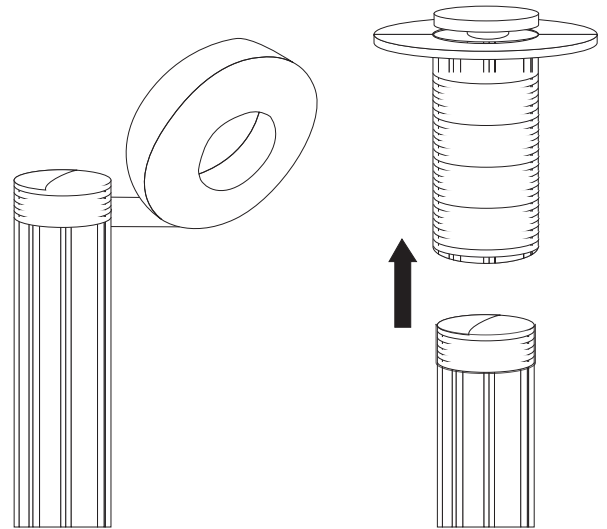
HOLLYN SINGLE HOLE FAUCET INSTALLATION

DRAIN INSTALLATION

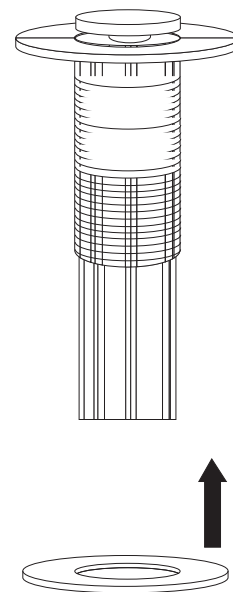
1. Dissassemble the drain assembly and lay the parts aside, in the same order they were removed. See the illustration below as a reference if needed.



2. Apply plumber's tape to the threading on the tailpiece, then reattach the tail piece to the pop-up drain flange.



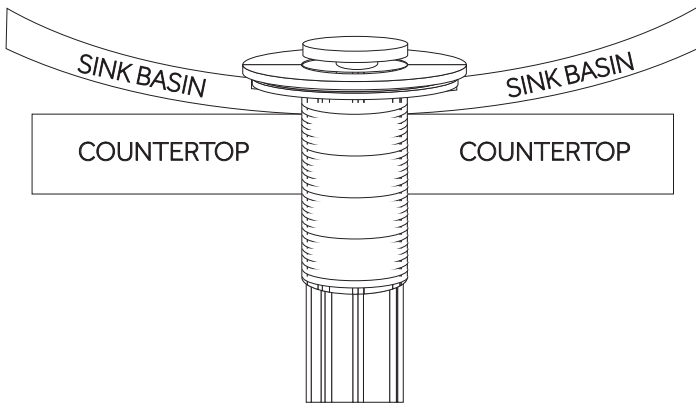
3. Slide the flat rubber gasket up the tailpiece until it meets the lip of the pop-up drain flange.



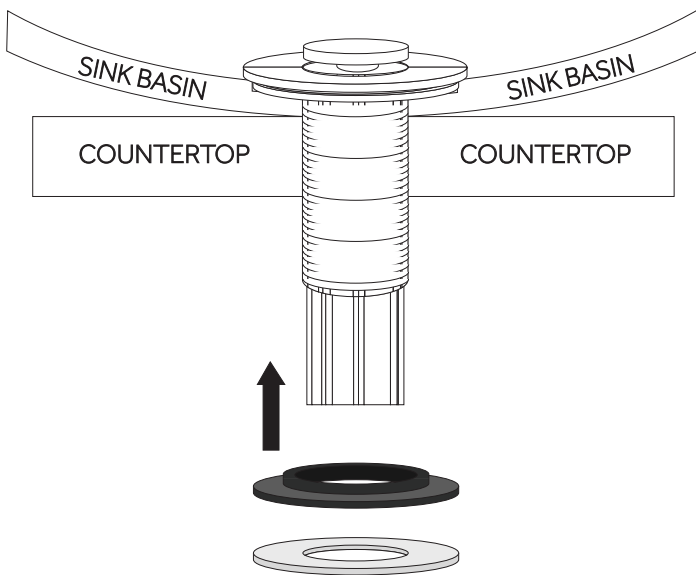


HOLLYN SINGLE HOLE FAUCET INSTALLATION

4. Insert the drain flange and tailpiece through the top of your sink's drain hole.



5. From under your counter, slide the tapered rubber gasket followed by the plastic friction washer onto the tailpiece until they meet your sink or countertop. Be sure that the tapered side of the rubber washer is facing up.



6. Thread the lock nut onto the drain flange. Hand tighten until secure, then finish tightening with a basin wrench once the drain is properly aligned.

Important: Be careful not to overtighten, which could crack a porcelain sink or stone countertop.

