



ELVAN SINGLE HOLE FAUCET INSTALLATION

BEFORE YOU BEGIN

We recommend consulting a professional if you are unfamiliar with installing plumbing fixtures. Signature Hardware accepts no liability for any damage to the faucet, plumbing, sink, counter top, or for personal injury during installation.

Observe all local plumbing and building codes.

Unpack and inspect the faucet for shipping damage. If any damage is found, contact our Customer Relations team at 1-866-855-2284.

GETTING STARTED

- Ensure that you have gathered all the required materials that are needed for the installation.
- For these instructions, it is assumed that the old faucet has been completely removed and any necessary repairs or modifications to the water supply have been completed.

TOOLS AND MATERIALS:



Plumbers Tape



Thread Sealant



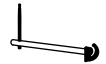
Adjustable Wrench



Phillips Screwdriver



Small Bucket



Basin Wrench

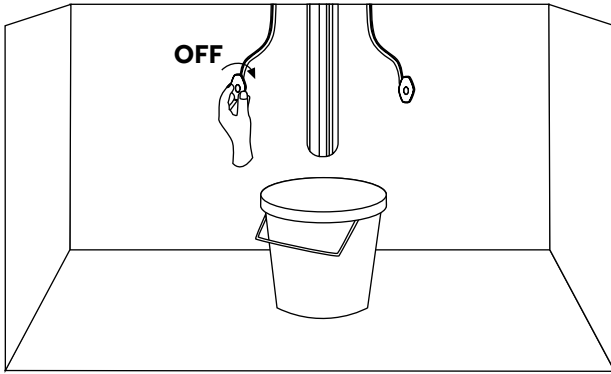


ELVAN SINGLE HOLE FAUCET INSTALLATION

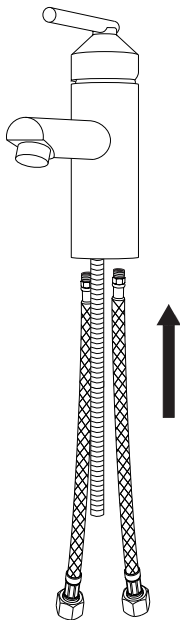
INSTALLATION

1. Ensure that the water supply below your sink is completely shut off by turning the shutoff valves all the way to the right.

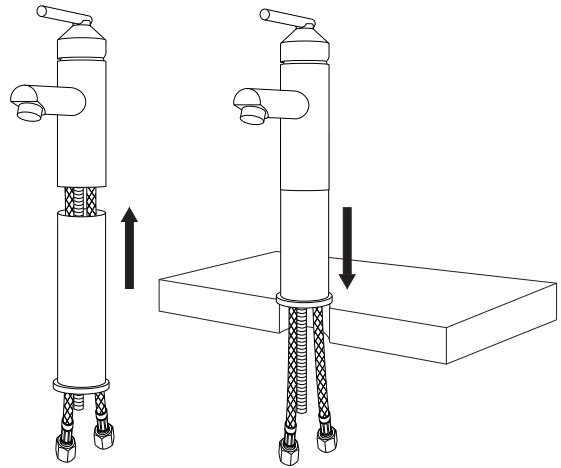
Tip: Place a small bucket below your workspace to catch any water that may drip during the installation process.



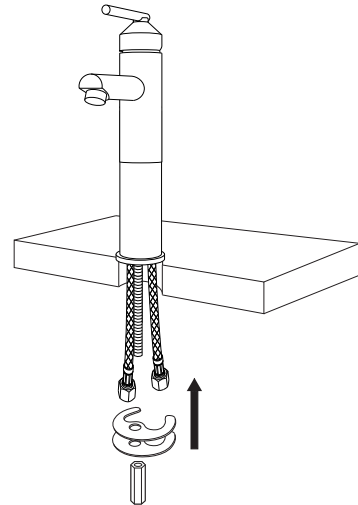
2. Attach the threaded mounting post and the provided water lines to the faucet spout. Hand tighten each firmly.



3. Slide the lower section of the faucet onto the the faucet spout, as shown. Then, slide the baseplate onto the faucet. Insert the faucet into its prepared mounting hole.



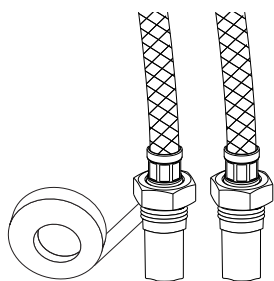
4. From below, slide the rubber washer onto the mounting post followed by the metal washer. Secure the faucet by threading on the lock nut until hand tight. Finish by tightening firmly with an adjustable wrench.





ELVAN SINGLE HOLE FAUCET INSTALLATION

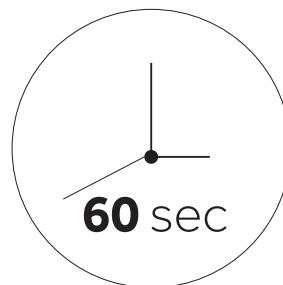
5. Apply plumber's tape or thread sealant to the threading on each braided water line. Attach the water lines to your main water supply. Ensure that you are connecting the hot and cold lines appropriately.



6. Once installation is complete, turn the main water supply back on from underneath your sink. Check for any leaks.



7. Proceed to the sink drain installation. Once complete, turn the faucet on to test. Check for leaks. Allow the water to flow for approximately 60 seconds.

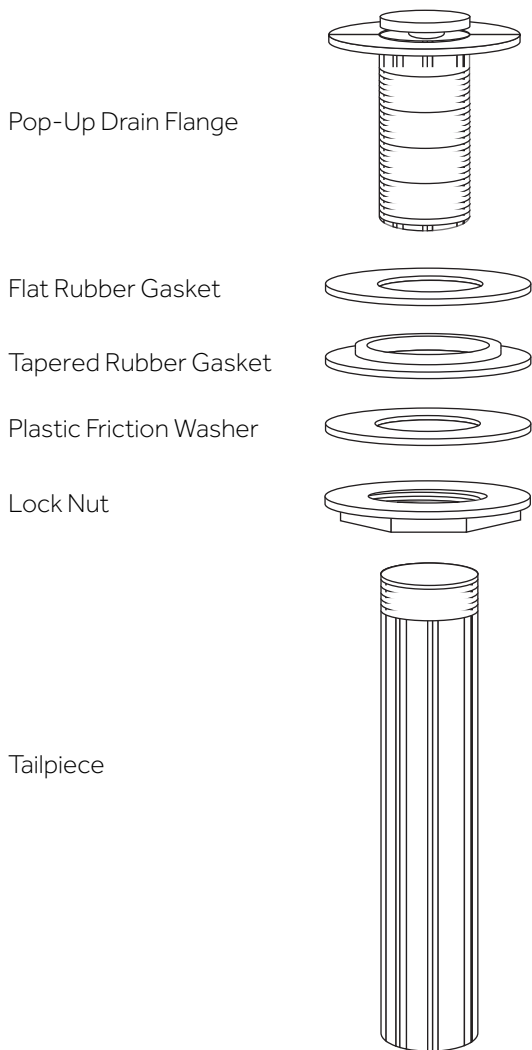




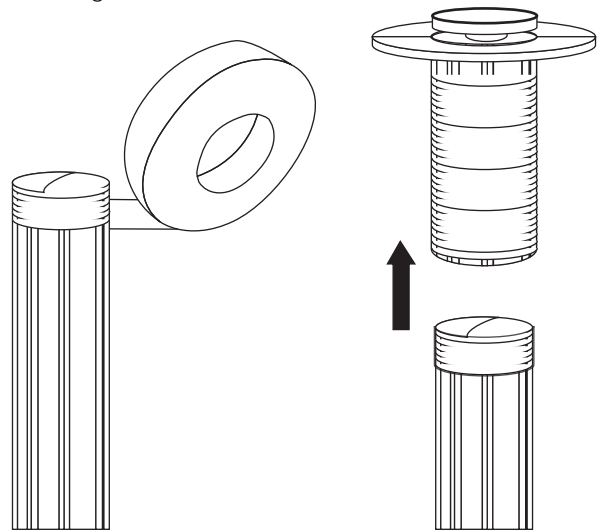
ELVAN SINGLE HOLE FAUCET INSTALLATION

DRAIN INSTALLATION

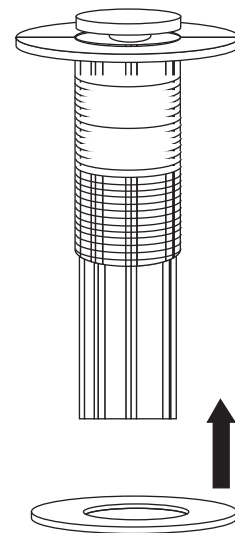
1. Dissassemble the drain assembly and lay the parts aside, in the same order they were removed. See the illustration below as a reference if needed.



2. Apply plumber's tape to the threading on the tailpiece, then reattach the tail piece to the pop-up drain flange.



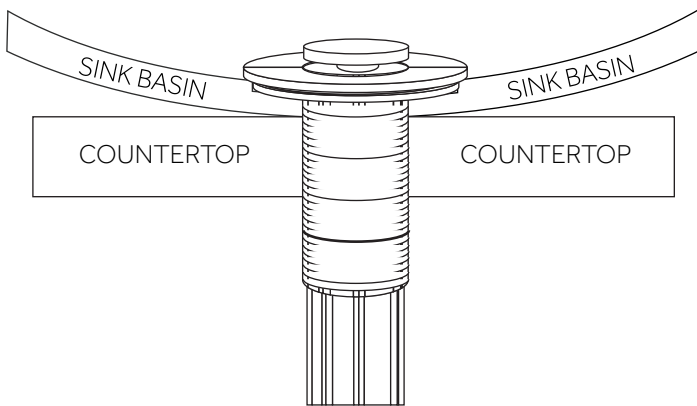
3. Slide the flat rubber gasket up the tailpiece until it meets the lip of the pop-up drain flange.



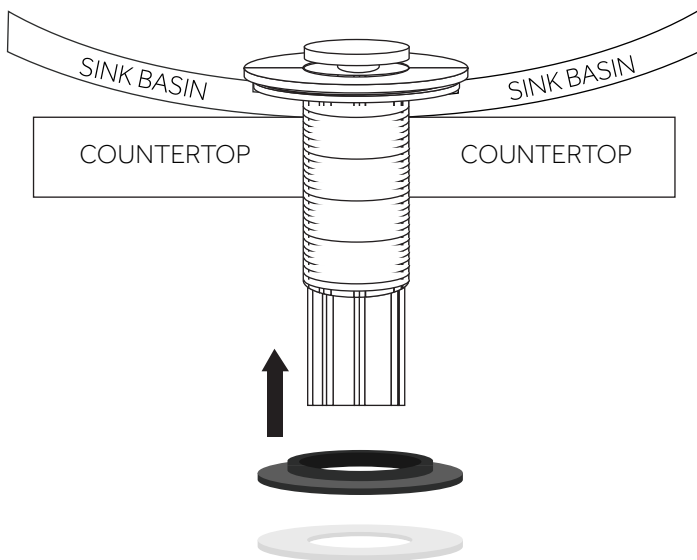


ELVAN SINGLE HOLE FAUCET INSTALLATION

4. Insert the drain flange and tailpiece through the top of your sink's drain hole.



5. From under your counter, slide the tapered rubber gasket followed by the plastic friction washer onto the tailpiece until they meet your sink or countertop. Be sure that the tapered side of the rubber washer is facing up.



6. Thread the lock nut onto the drain flange. Hand tighten until secure, then finish tightening with a basin wrench once the drain is properly aligned.

Important: Be careful not to overtighten, which could crack a porcelain sink or stone countertop.

