



# COOPER SHOWER VALVE INSTALLATION

## BEFORE INSTALLING

We recommend consulting a professional if you are unfamiliar with installing plumbing fixtures. Signature Hardware accepts no liability for any damage to the home, product, or for personal injury during installation.

Unpack and inspect the product for any shipping damages. If you find damages, do not install. Contact Customer Relations at 1.866.855.2284.

Observe all local plumbing and building codes.

For the following installation instructions it is assumed that the in-wall plumbing has been prepared, and ready for rough-in procedures.

## TOOLS AND MATERIALS:



Drill

Phillips  
Screwdriver

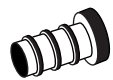
Hex Wrench



Level



Drill Bit

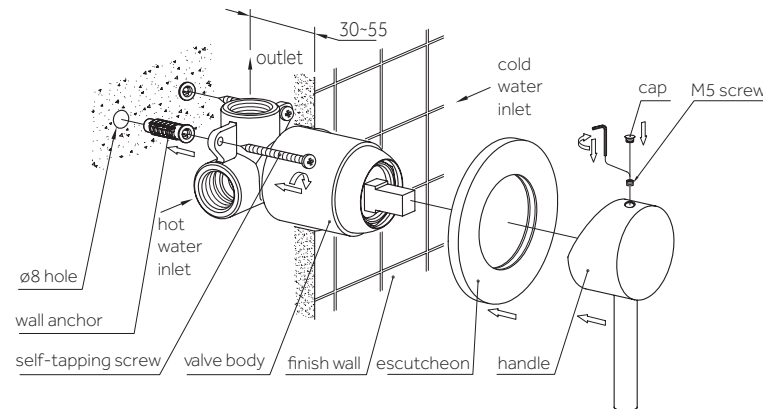


1/2" Test Plug

Soldering Kit  
(for copper pipe)

Wood Blocking

## INSTALLATION



\* The installation diagram is only for reference and subject to the real objects.

1. Install the valve body as specified in the above diagram.
  2. Route, assemble, and connect all in-wall piping to and from the shower valve. Make connections appropriately depending upon the type of pipe that is being used. For copper pipe, soldering will be required and should be completed by a licensed plumber. Apply plumber's tape to any threaded connections if applicable. Install any wood blocking that is necessary to support the piping and valve.
  3. Once all piping is routed and connections have been made, use a 1/2" test plug to perform a water pressure test. Turn on the main water supply to your home and water test the installed plumbing. Ensure that there are no leaks, then shut the water off. Remove the test plug. Note: Water pressure testing should be performed by a licensed plumber if you are not familiar with this procedure.
- IMPORTANT:** COMPLETE THE CONSTRUCTION OF YOUR WALL, INCLUDING ANY FINISHED WALL MATERIALS SUCH AS TILE, BEFORE PROCEEDING WITH THE REMAINDER OF THE INSTALLATION.
4. Once the finished wall is complete, remove the protective sleeves from the valve.
  5. Complete the installation of the shower valve by attaching the trim pieces.