



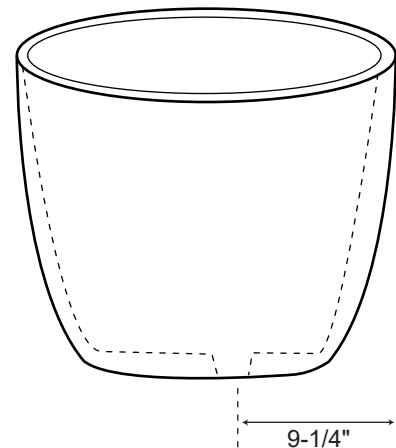
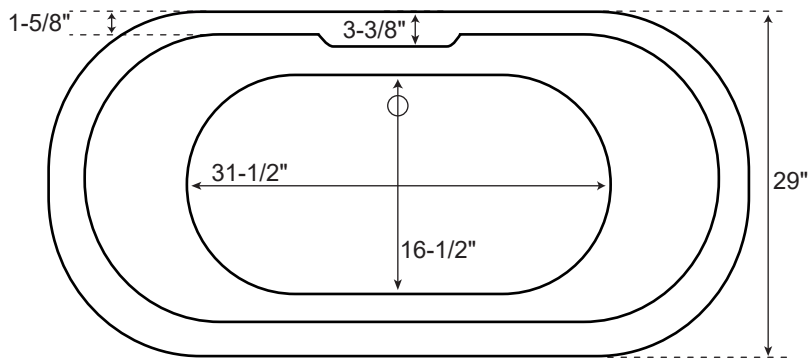
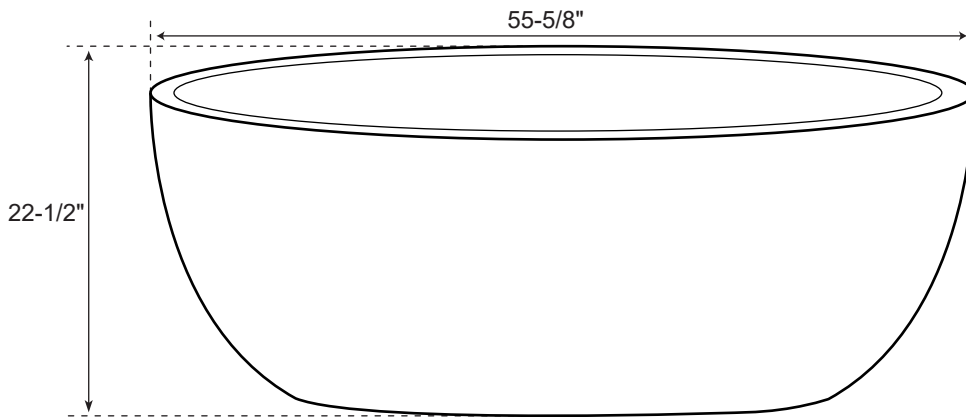
## SPECIFICATIONS

Overall Dimensions	55-5/8" L x 29" W (front to back) x 22-1/2" H
Water Capacity	
without overflow	38 gallons
with overflow	29 gallons
Water Depth	
to top of tub	17" H
to overflow	13" H
Tub Weight Uncrated	70 lbs.
Tub Weight Crated	185 lbs.
Tub Rim	1-5/8" wide; 3-3/8" tap deck
Faucet Configurations	No Faucet Drillings 7" Rim Holes

# 56" Boyce

Freestanding Acrylic Tub

*All measurements are approximate. Measurements may vary +/- 1/2".*





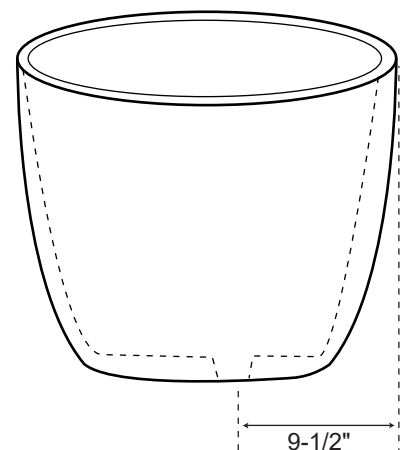
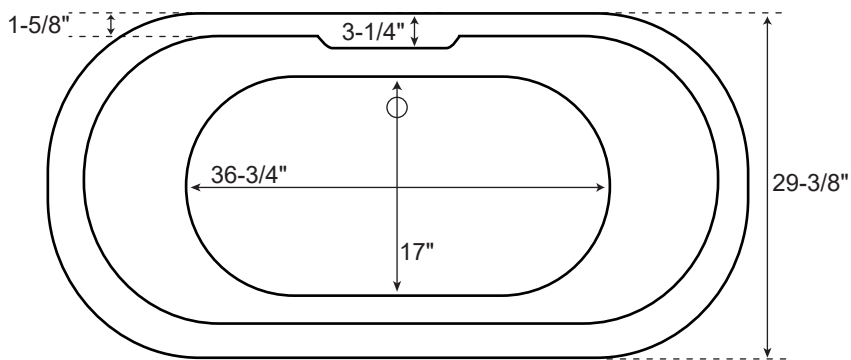
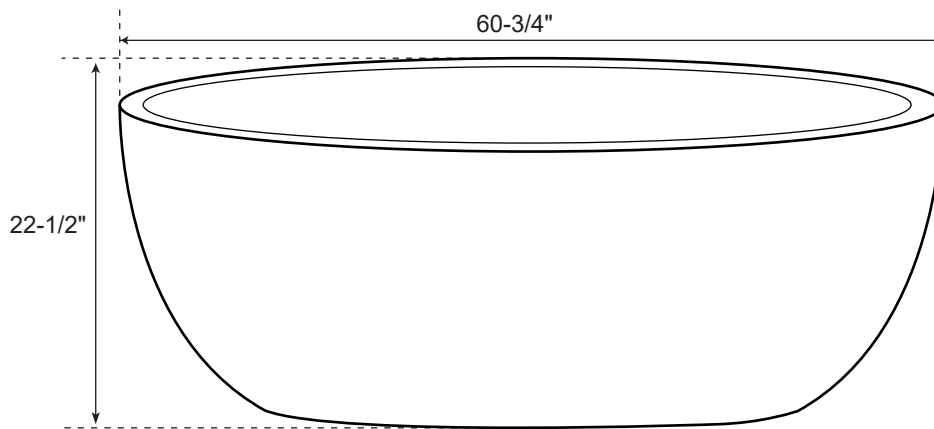
## SPECIFICATIONS

Overall Dimensions	60-3/4" L x 29-3/8" W (front to back) x 22-1/2" H
Water Capacity	
without overflow	45 gallons
with overflow	35 gallons
Water Depth	
to top of tub	17" H
to overflow	13" H
Tub Weight Uncrated	85 lbs.
Tub Weight Crated	195 lbs.
Tub Rim	1-5/8" wide; 3-1/4" tap deck
Faucet Configurations	No Faucet Drillings 7" Rim Holes

# 61" Boyce

Freestanding Acrylic Tub

*All measurements are approximate. Measurements may vary +/- 1/2".*





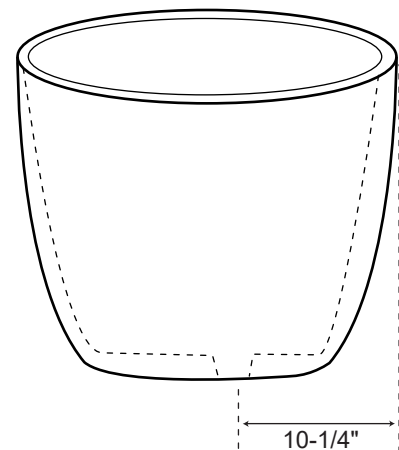
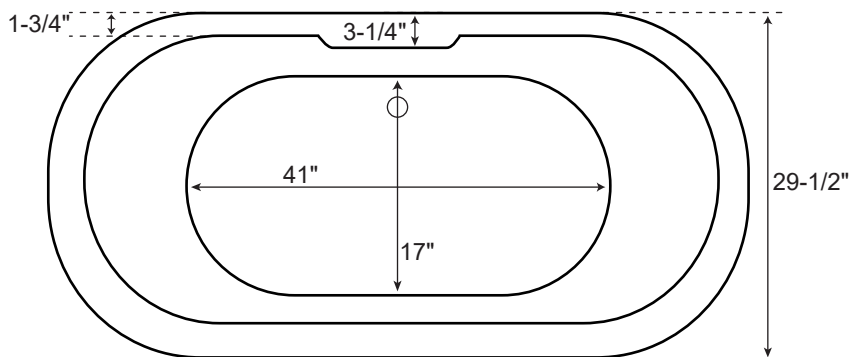
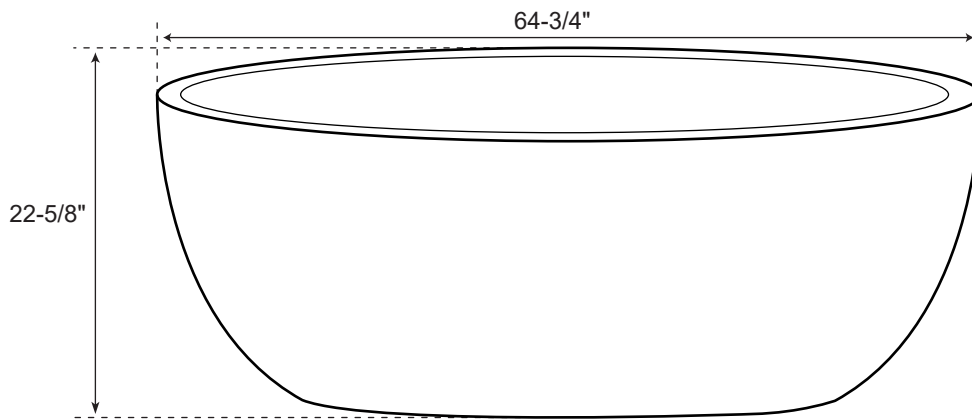
## SPECIFICATIONS

Overall Dimensions	64-3/4" L x 29-1/2" W (front to back) x 22-5/8" H
Water Capacity	
without overflow	51 gallons
with overflow	39 gallons
Water Depth	
to top of tub	17" H
to overflow	13" H
Tub Weight Uncrated	90 lbs.
Tub Weight Crated	200 lbs.
Tub Rim	1-3/4" wide; 3-1/4" tap deck
Faucet Configurations	No Faucet Drillings 7" Rim Holes

# 65" Boyce

Freestanding Acrylic Tub

*All measurements are approximate. Measurements may vary +/- 1/2".*





## SPECIFICATIONS

Overall Dimensions	70-1/4" L x 29-1/2" W (front to back) x 22-5/8" H
Water Capacity	
without overflow	59 gallons
with overflow	45 gallons
Water Depth	
to top of tub	17-1/2" H
to overflow	13-1/2" H
Tub Weight Uncrated	98 lbs.
Tub Weight Crated	208 lbs.
Tub Rim	1-5/8" wide; 3-3/8" tap deck
Faucet Configurations	No Faucet Drillings 7" Rim Holes

# 70" Boyce

Freestanding Acrylic Tub

*All measurements are approximate. Measurements may vary +/- 1/2".*

