



INSTALLATION INSTRUCTIONS

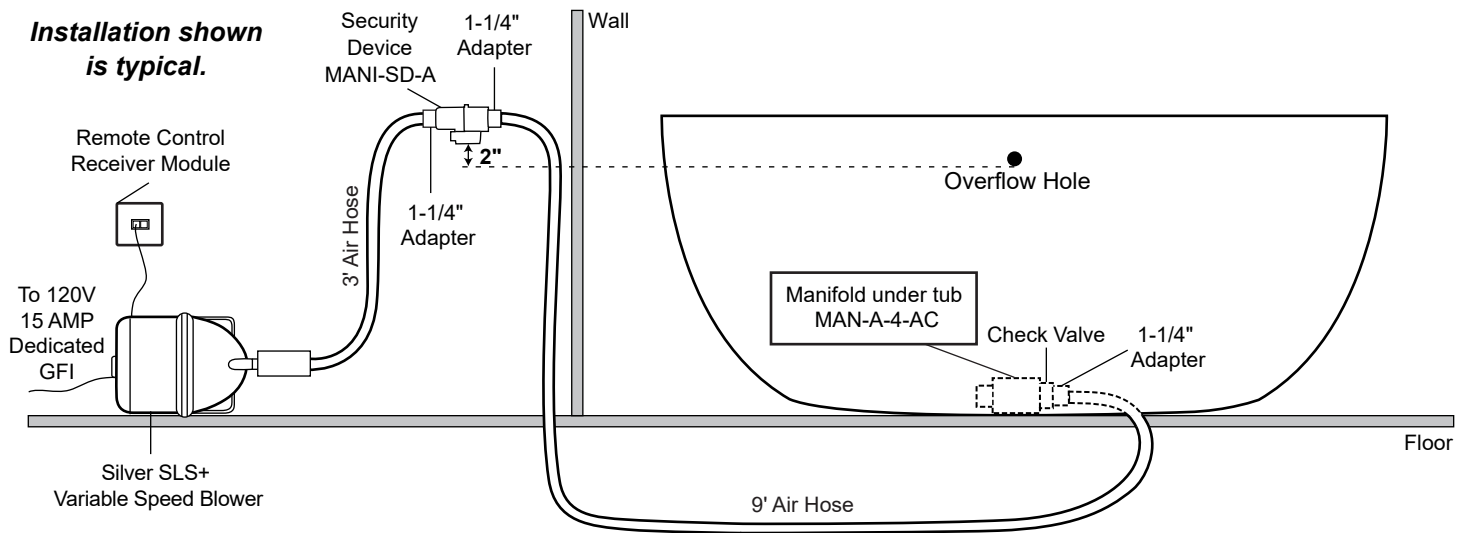
Components List:

- BM-TWP Ball Check Valve Jets
- MANI-SD-A Security Device
- MAN-A-4-AC Manifold
- Silver SLS+ Variable Speed Blower

Install blower behind a wall (with an access panel) or in a closet. Blower can also be installed under floor. Ensure the Security device, MANI-SD-A, is at least 2" above the bottom of overflow hole. Security device and hose can be mounted in wall.

Boyce Freestanding Acrylic Air Tub With Overflow

**Installation shown
is typical.**



INSIDE OF BATH TUB

Features:

- (12) Maxi Air Jets with 24 openings

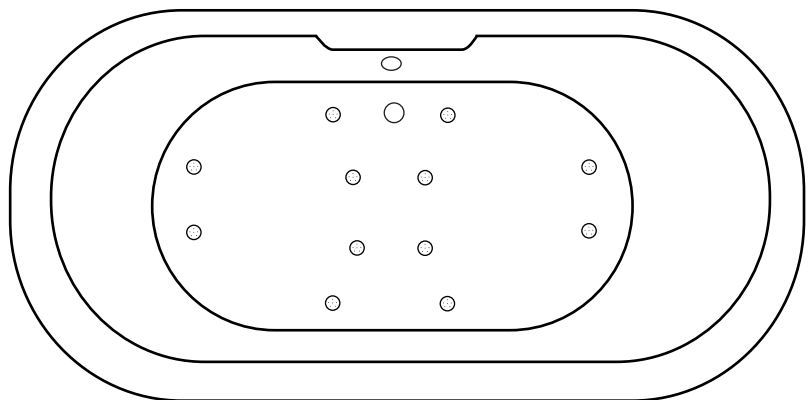


Elbows for air jets Tees for air jets

- Remote Control CG+/RTC-SENSOR-WP



12-15 year battery life





INSTALLATION INSTRUCTIONS

Components List:

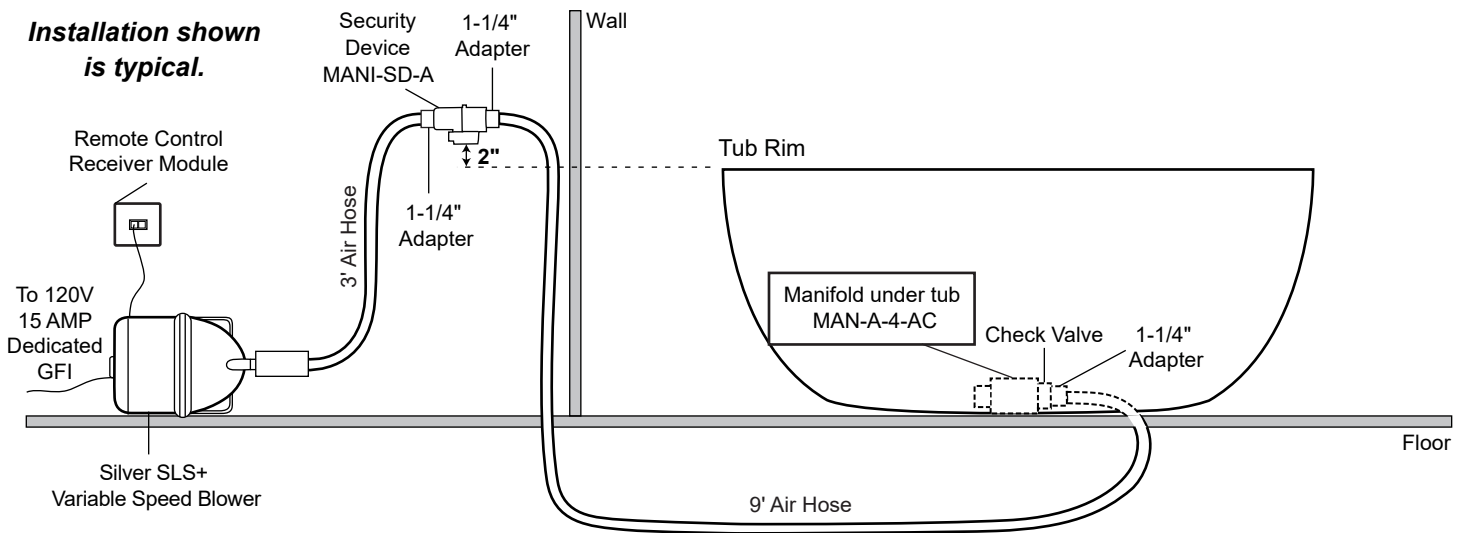
- BM-TWP Ball Check Valve Jets
- MANI-SD-A Security Device
- MAN-A-4-AC Manifold
- Silver SLS+ Variable Speed Blower

Install blower behind a wall (with an access panel) or in a closet. Blower can also be installed under floor. Ensure the Security device, MANI-SD-A, is at least 2" above the tub rim. Security device and hose can be mounted in wall.

Boyce

Freestanding Acrylic Air Tub Without Overflow

Installation shown is typical.



INSIDE OF BATH TUB

Features:

- (12) Maxi Air Jets with 24 openings

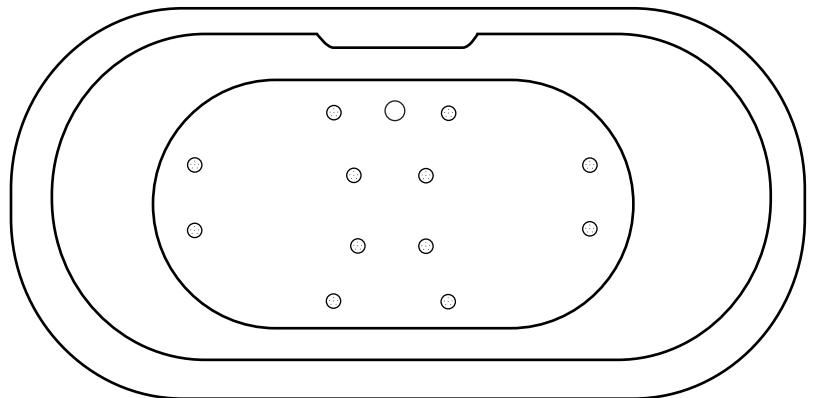


Elbows for air jets Tees for air jets

- Remote Control CG+/RTC-SENSOR-WP



12-15 year battery life





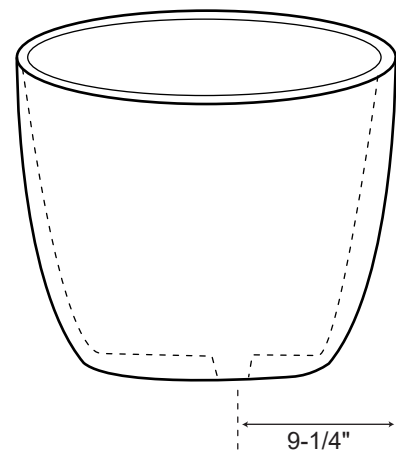
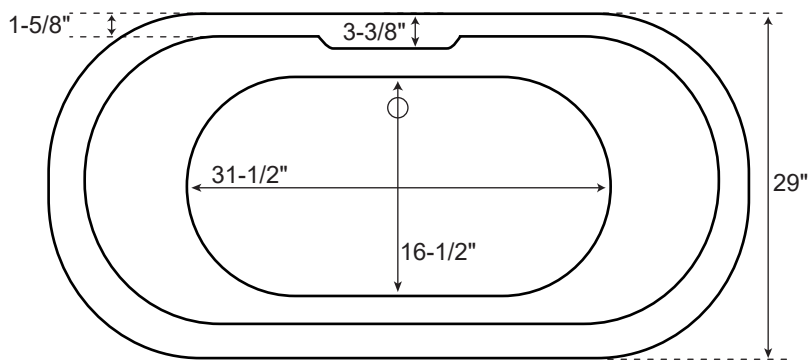
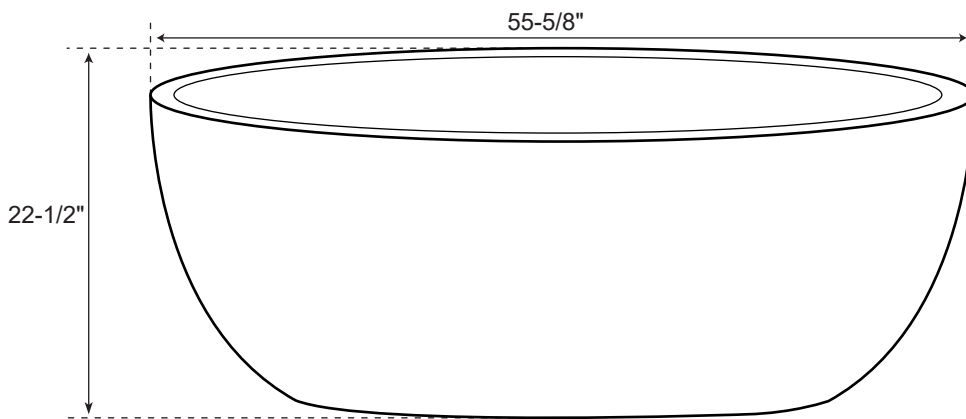
SPECIFICATIONS

Overall Dimensions	55-5/8" L x 29" W (front to back) x 22-1/2" H
Water Capacity	
without overflow	38 gallons
with overflow	29 gallons
Water Depth	
to top of tub	17" H
to overflow	13" H
Tub Weight Uncrated	70 lbs.
Tub Weight Crated	185 lbs.
Tub Rim	1-5/8" wide; 3-3/8" tap deck
Faucet Configurations	No Faucet Drillings 7" Rim Holes

56" Boyce

Freestanding Acrylic Tub

All measurements are approximate. Measurements may vary +/- 1/2".





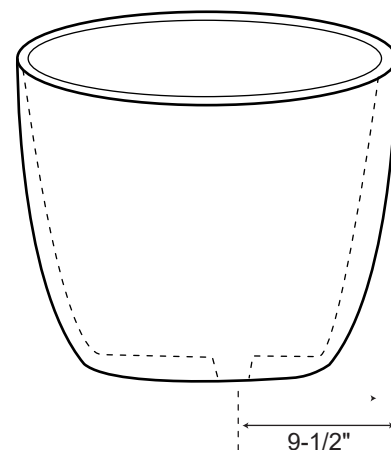
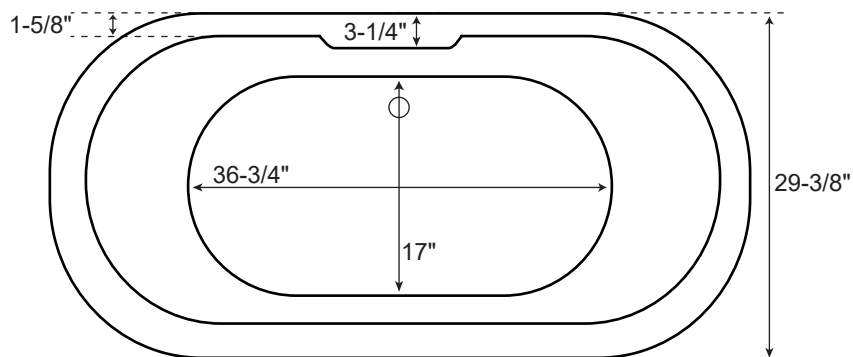
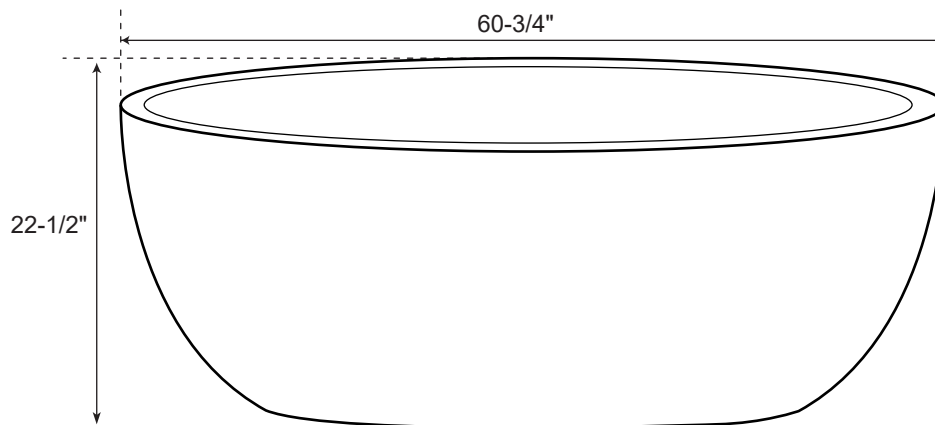
SPECIFICATIONS

Overall Dimensions	60-3/4" L x 29-3/8" W (front to back) x 22-1/2" H
Water Capacity	
without overflow	45 gallons
with overflow	35 gallons
Water Depth	
to top of tub	17" H
to overflow	13" H
Tub Weight Uncrated	85 lbs.
Tub Weight Crated	195 lbs.
Tub Rim	1-5/8" wide; 3-1/4" tap deck
Faucet Configurations	No Faucet Drillings 7" Rim Holes

61" Boyce

Freestanding Acrylic Tub

All measurements are approximate. Measurements may vary +/- 1/2".





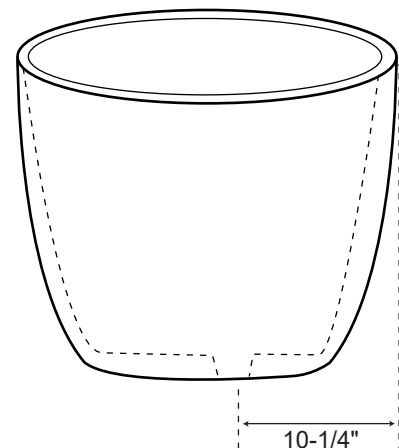
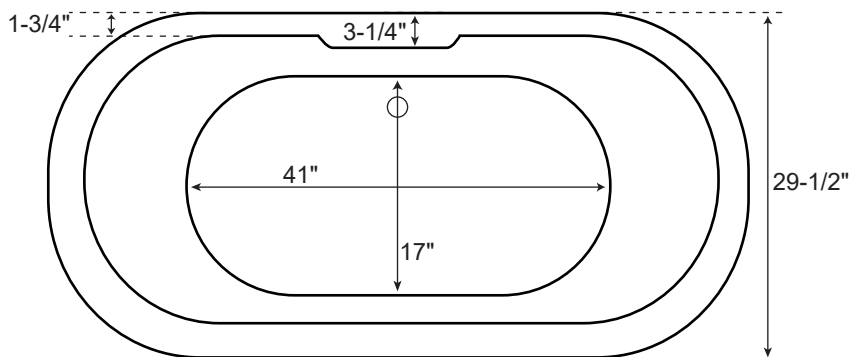
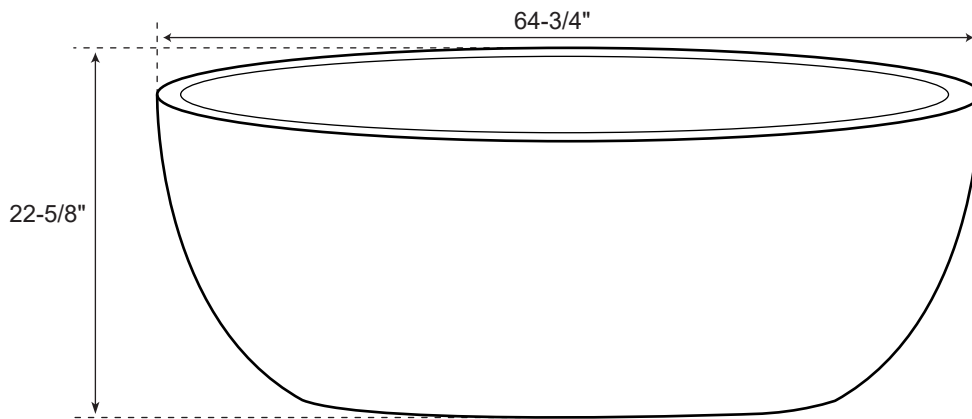
SPECIFICATIONS

Overall Dimensions	64-3/4" L x 29-1/2" W (front to back) x 22-5/8" H
Water Capacity	
without overflow	51 gallons
with overflow	39 gallons
Water Depth	
to top of tub	17" H
to overflow	13" H
Tub Weight Uncrated	90 lbs.
Tub Weight Crated	200 lbs.
Tub Rim	1-3/4" wide; 3-1/4" tap deck
Faucet Configurations	No Faucet Drillings 7" Rim Holes

65" Boyce

Freestanding Acrylic Tub

All measurements are approximate. Measurements may vary +/- 1/2".





SPECIFICATIONS

Overall Dimensions	70-1/4" L x 29-1/2" W (front to back) x 22-5/8" H
Water Capacity	
without overflow	59 gallons
with overflow	45 gallons
Water Depth	
to top of tub	17-1/2" H
to overflow	13-1/2" H
Tub Weight Uncrated	98 lbs.
Tub Weight Crated	208 lbs.
Tub Rim	1-5/8" wide; 3-3/8" tap deck
Faucet Configurations	No Faucet Drillings 7" Rim Holes

70" Boyce

Freestanding Acrylic Tub

All measurements are approximate. Measurements may vary +/- 1/2".

