

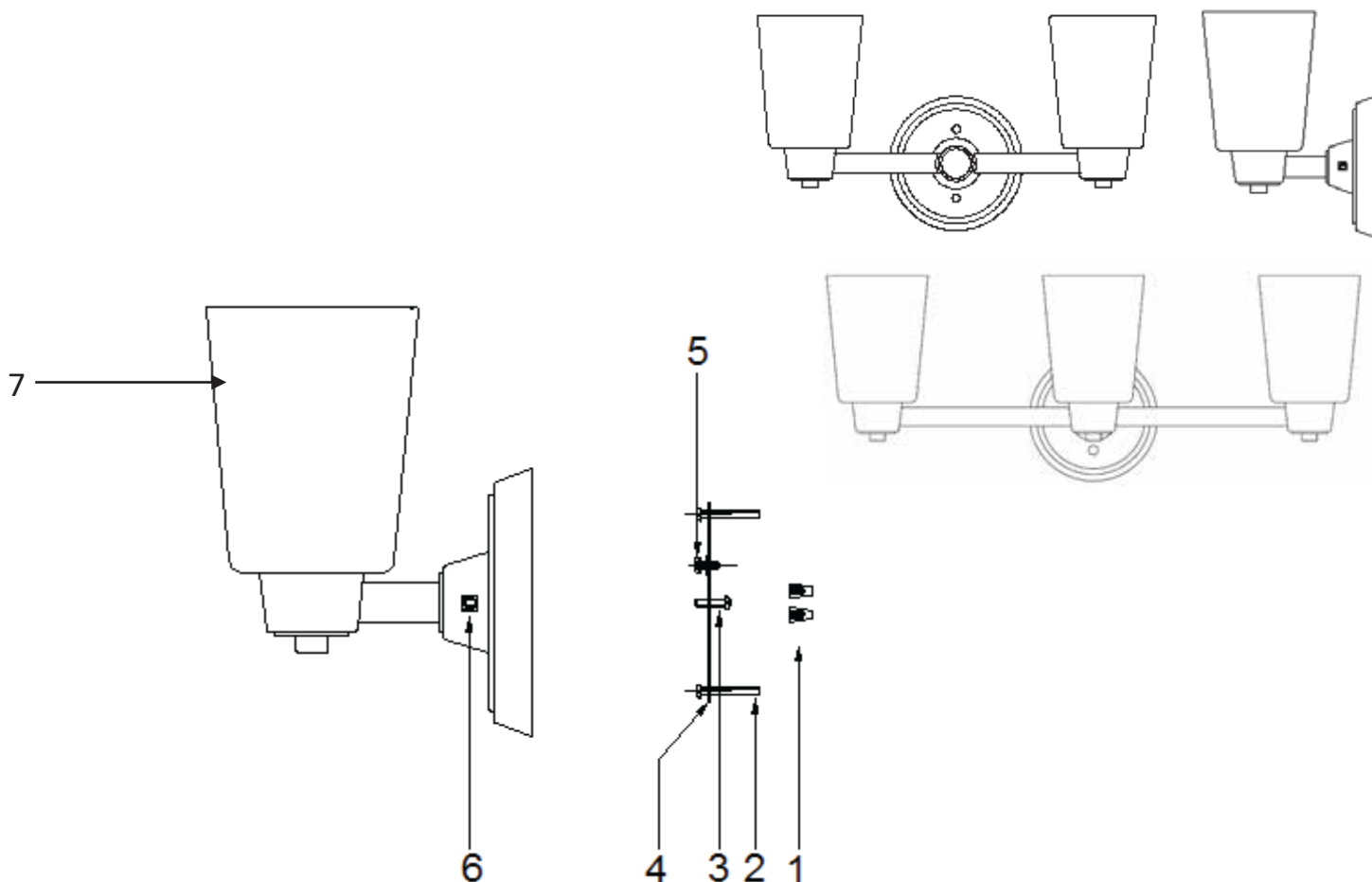
# WINDSOR GATE

VANITY LIGHT

LÁMPARA DE TOCADOR

APPLIQUE DE SALLE DE BAIN

SKU: 946383



| No. | Part Name             | Nombre de pieza          | Pièce                        | Part No.   |
|-----|-----------------------|--------------------------|------------------------------|--|
| 1   | Wire connector (2pcs) | Conector de cable (2pcs) | Capuchon de connexion (2pcs) | PHSP200HDWRBNWTY<br>PHSP200HDWRPCWTY                     |
| 2   | Screw (2pcs)          | Tornillo (2pcs)          | Vis (2pcs)                   |  |
| 3   | Screw (1pc)           | Tornillo (2pcs)          | Vis (2pcs)                   |  |
| 4   | Mounting bar (1pc)    | Barra de montaje (1pc)   | Barrette de fixation (1pc)   |  |
| 5   | Ground screw (1pc)    | Tornillo a tierra (1pc)  | Vis de borne de terre (1pc)  |  |
| 6   | Finial (2pcs)         | Remate (2pcs)            | Faîteau (2pcs)               | PHSPRNUT3BN1WTY<br>PHSP200NUTWTY                         |
| 6   | Finial (1pc)          | Remate (1pc)             | Faîteau (1pc)                |  |
| 7   | Glass (1,2 or 3 pcs)  | Vidrio (1,2 or 3 pcs)    | Verre (1,2 or 3 pcs)         | PHSP300GLSSWTY (clear seedy)<br>PHSP300CLGLSSWTY (clear) |

\*Specify Finish / Especifica el Acabado / Spécifiez la Finition

REVISED: 11/24/2021  
CODES: PHVL3001

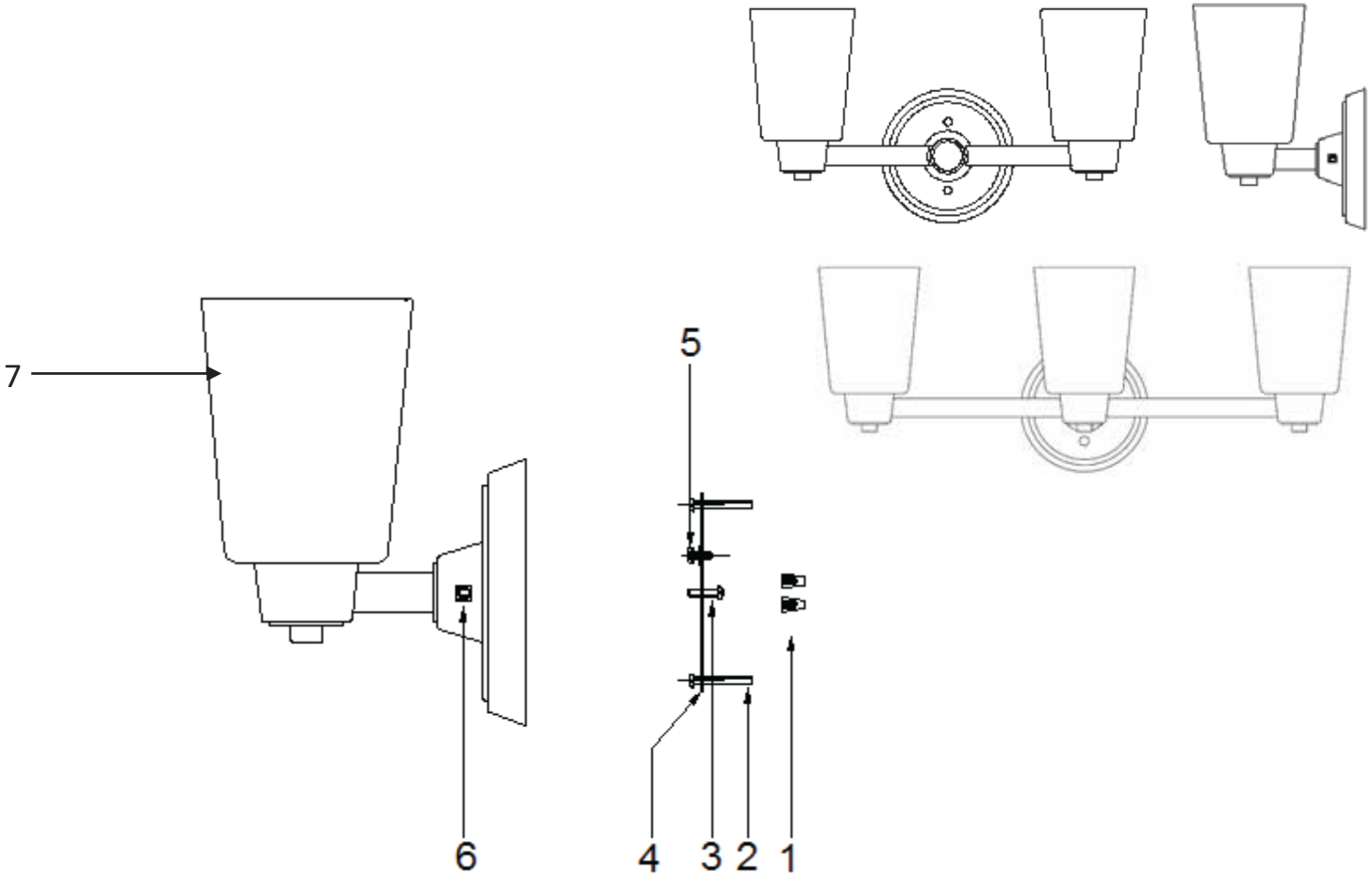
# WINDSOR GATE

VANITY LIGHT

LÁMPARA DE TOCADOR

APPLIQUE DE SALLE DE BAIN

SKU: 946384



| No. | Part Name             | Nombre de pieza          | Pièce                        | Part No.   |
|-----|-----------------------|--------------------------|------------------------------|--|
| 1   | Wire connector (2pcs) | Conector de cable (2pcs) | Capuchon de connexion (2pcs) | PHSP200HDWRBNWTY<br>PHSP200HDWRPCWTY                     |
| 2   | Screw (2pcs)          | Tornillo (2pcs)          | Vis (2pcs)                   |  |
| 3   | Screw (1pc)           | Tornillo (2pcs)          | Vis (2pcs)                   |  |
| 4   | Mounting bar (1pc)    | Barra de montaje (1pc)   | Barrette de fixation (1pc)   |  |
| 5   | Ground screw (1pc)    | Tornillo a tierra (1pc)  | Vis de borne de terre (1pc)  |  |
| 6   | Finial (2pcs)         | Remate (2pcs)            | Faîteau (2pcs)               | PHSPRNUT3BN1WTY<br>PHSP200NUTWTY                         |
| 6   | Finial (1pc)          | Remate (1pc)             | Faîteau (1pc)                |  |
| 7   | Glass (1,2 or 3 pcs)  | Vidrio (1,2 or 3 pcs)    | Verre (1,2 or 3 pcs)         | PHSP300GLSSWTY (clear seedy)<br>PHSP300CLGLSSWTY (clear) |

\*Specify Finish / Especifica el Acabado / Spécifiez la Finition

REVISED: 11/24/2021  
CODES: PHVL3002

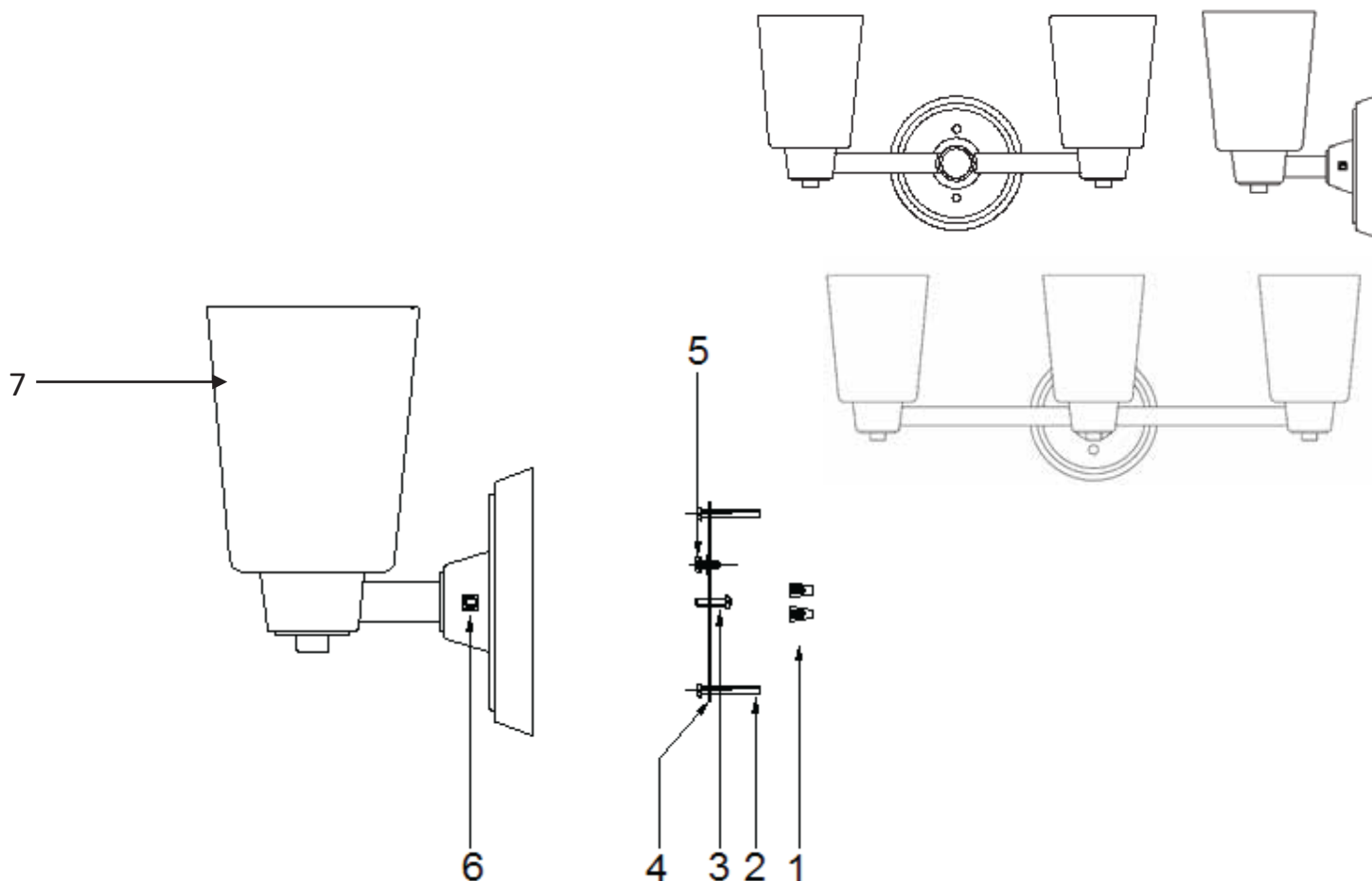
# WINDSOR GATE

VANITY LIGHT

LÁMPARA DE TOCADOR

APPLIQUE DE SALLE DE BAIN

SKU: 939201



| No. | Part Name             | Nombre de pieza          | Pièce                        | Part No.   |
|-----|-----------------------|--------------------------|------------------------------|--|
| 1   | Wire connector (2pcs) | Conector de cable (2pcs) | Capuchon de connexion (2pcs) | PHSP200HDWRBNWTY<br>PHSP200HDWRPCWTY                     |
| 2   | Screw (2pcs)          | Tornillo (2pcs)          | Vis (2pcs)                   |  |
| 3   | Screw (1pc)           | Tornillo (2pcs)          | Vis (2pcs)                   |  |
| 4   | Mounting bar (1pc)    | Barra de montaje (1pc)   | Barrette de fixation (1pc)   |  |
| 5   | Ground screw (1pc)    | Tornillo a tierra (1pc)  | Vis de borne de terre (1pc)  |  |
| 6   | Finial (2pcs)         | Remate (2pcs)            | Faîteau (2pcs)               | PHSPRNUT3BN1WTY<br>PHSP200NUTWTY                         |
| 6   | Finial (1pc)          | Remate (1pc)             | Faîteau (1pc)                |  |
| 7   | Glass (1,2 or 3 pcs)  | Vidrio (1,2 or 3 pcs)    | Verre (1,2 or 3 pcs)         | PHSP300GLSSWTY (clear seedy)<br>PHSP300CLGLSSWTY (clear) |

\*Specify Finish / Especifica el Acabado / Spécifiez la Finition

REVISED: 11/24/2021  
CODES: PHVL2002

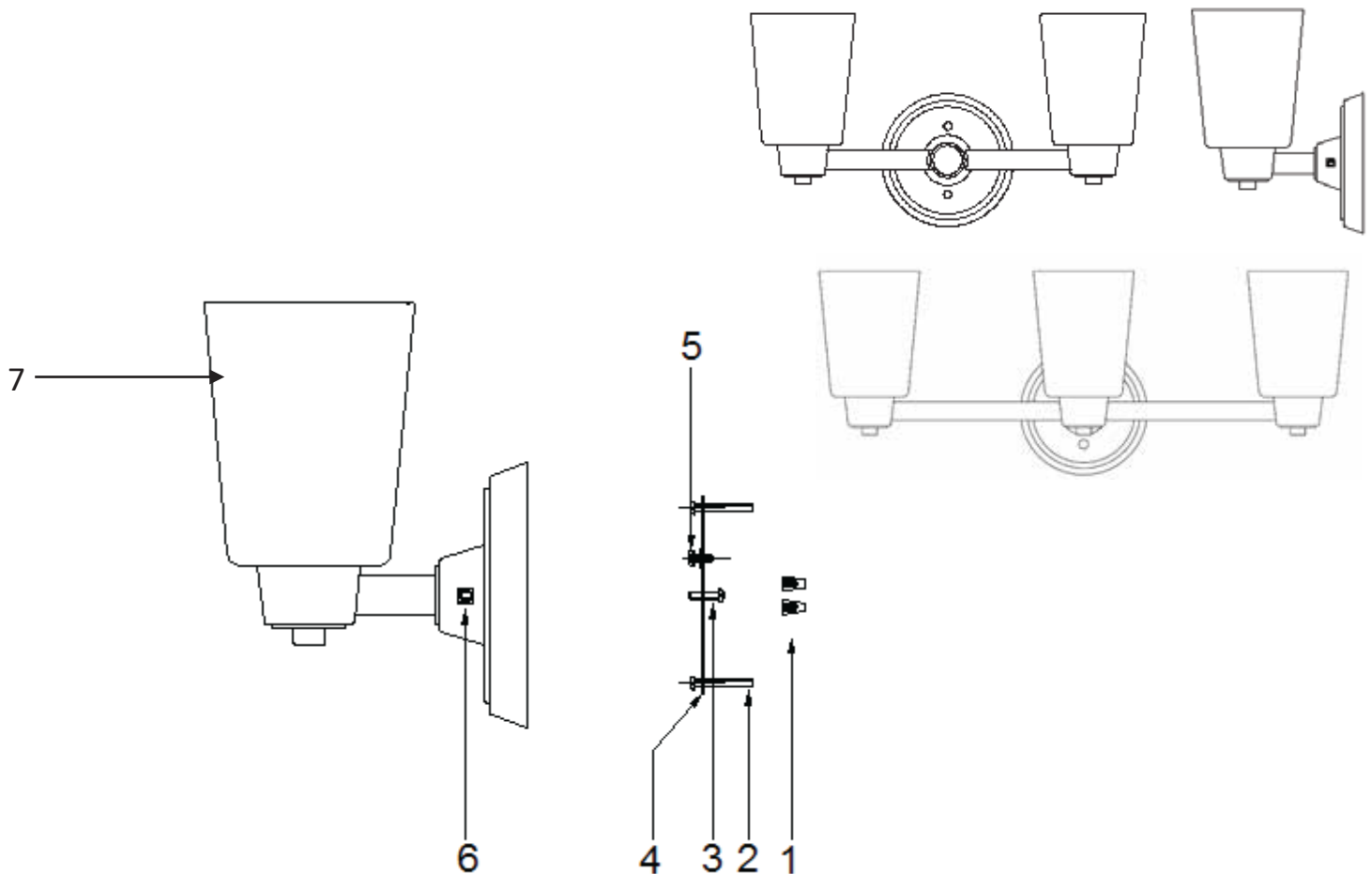
# WINDSOR GATE

VANITY LIGHT

LÁMPARA DE TOCADOR

APPLIQUE DE SALLE DE BAIN

SKU: 946384



| No. | Part Name             | Nombre de pieza          | Pièce                        | Part No.   |
|-----|-----------------------|--------------------------|------------------------------|--|
| 1   | Wire connector (2pcs) | Conector de cable (2pcs) | Capuchon de connexion (2pcs) | PHSP200HDWRBNWTY<br>PHSP200HDWRPCWTY                     |
| 2   | Screw (2pcs)          | Tornillo (2pcs)          | Vis (2pcs)                   |  |
| 3   | Screw (1pc)           | Tornillo (2pcs)          | Vis (2pcs)                   |  |
| 4   | Mounting bar (1pc)    | Barra de montaje (1pc)   | Barrette de fixation (1pc)   |  |
| 5   | Ground screw (1pc)    | Tornillo a tierra (1pc)  | Vis de borne de terre (1pc)  |  |
| 6   | Finial (2pcs)         | Remate (2pcs)            | Faîteau (2pcs)               | PHSPRNUT3BN1WTY<br>PHSP200NUTWTY                         |
| 6   | Finial (1pc)          | Remate (1pc)             | Faîteau (1pc)                |  |
| 7   | Glass (1,2 or 3 pcs)  | Vidrio (1,2 or 3 pcs)    | Verre (1,2 or 3 pcs)         | PHSP300GLSSWTY (clear seedy)<br>PHSP300CLGLSSWTY (clear) |

\*Specify Finish / Especifica el Acabado / Spécifiez la Finition

REVISED: 11/24/2021  
CODES: PHVL3002

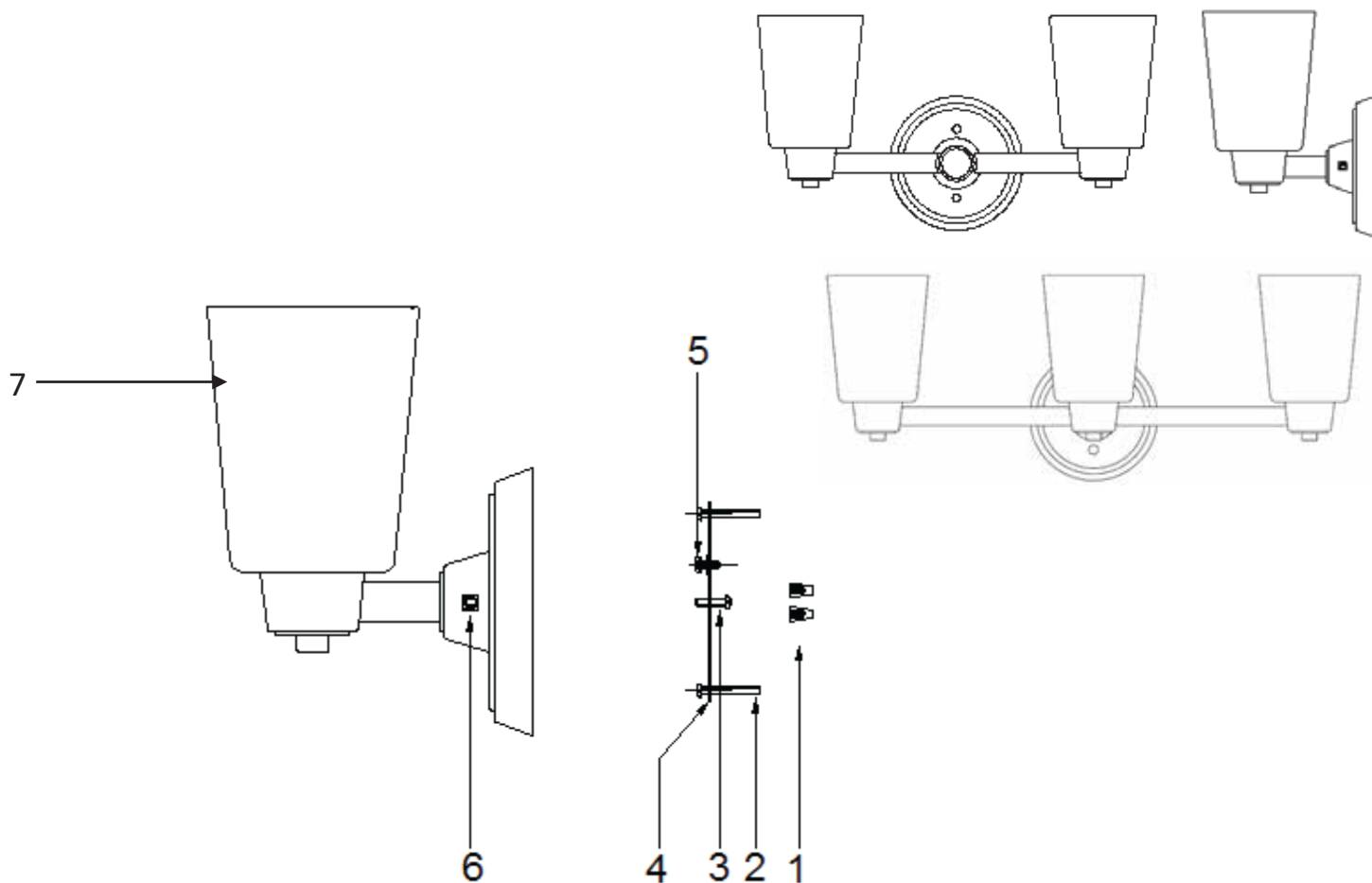
# WINDSOR GATE

VANITY LIGHT

LÁMPARA DE TOCADOR

APPLIQUE DE SALLE DE BAIN

SKU: 946385



| No. | Part Name             | Nombre de pieza          | Pièce                        | Part No.   |
|-----|-----------------------|--------------------------|------------------------------|--|
| 1   | Wire connector (2pcs) | Conector de cable (2pcs) | Capuchon de connexion (2pcs) | PHSP200HDWRBNWTY<br>PHSP200HDWRPCWTY                     |
| 2   | Screw (2pcs)          | Tornillo (2pcs)          | Vis (2pcs)                   |  |
| 3   | Screw (1pc)           | Tornillo (2pcs)          | Vis (2pcs)                   |  |
| 4   | Mounting bar (1pc)    | Barra de montaje (1pc)   | Barrette de fixation (1pc)   |  |
| 5   | Ground screw (1pc)    | Tornillo a tierra (1pc)  | Vis de borne de terre (1pc)  |  |
| 6   | Finial (2pcs)         | Remate (2pcs)            | Faîteau (2pcs)               | PHSPRNUT3BN1WTY<br>PHSP200NUTWTY                         |
| 6   | Finial (1pc)          | Remate (1pc)             | Faîteau (1pc)                |  |
| 7   | Glass (1,2 or 3 pcs)  | Vidrio (1,2 or 3 pcs)    | Verre (1,2 or 3 pcs)         | PHSP300GLSSWTY (clear seedy)<br>PHSP300CLGLSSWTY (clear) |

\*Specify Finish / Especifica el Acabado / Spécifiez la Finition

REVISED: 11/24/2021  
CODES: PHVL3003

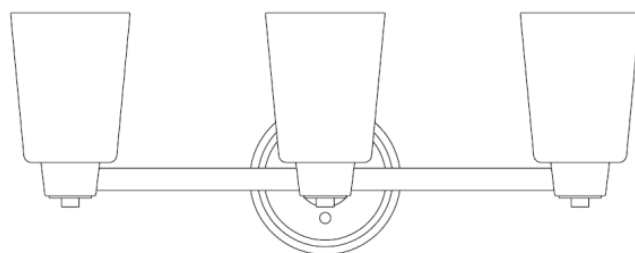
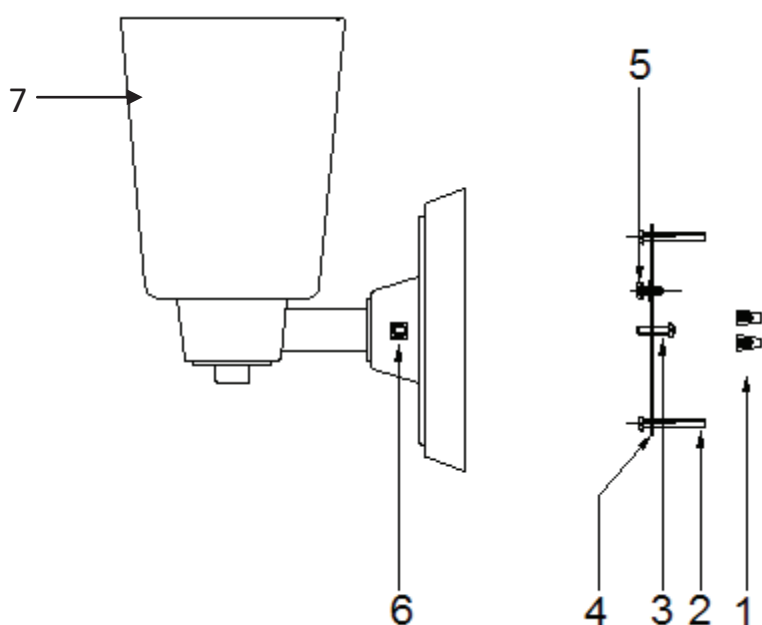
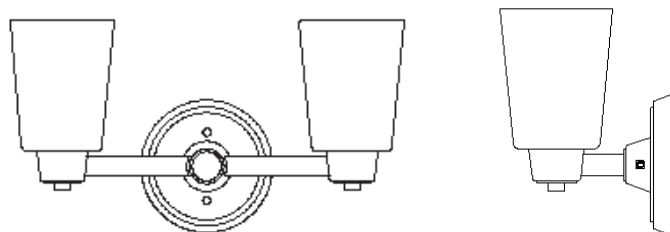
# WINDSOR GATE

VANITY LIGHT

LÁMPARA DE TOCADOR

APPLIQUE DE SALLE DE BAIN

SKU: 939200,939201,939202



| No. | Part Name             | Nombre de pieza          | Pièce                        | Part No.                              |
|-----|-----------------------|--------------------------|------------------------------|---------------------------------------|
| 1   | Wire connector (2pcs) | Conector de cable (2pcs) | Capuchon de connexion (2pcs) | PHSP200HDWRBNWTY<br>PHSP200HDWRORBWTY |
| 2   | Screw (2pcs)          | Tornillo (2pcs)          | Vis (2pcs)                   |                                       |
| 3   | Screw (1pc)           | Tornillo (2pcs)          | Vis (2pcs)                   |                                       |
| 4   | Mounting bar (1pc)    | Barra de montaje (1pc)   | Barrette de fixation (1pc)   |                                       |
| 5   | Ground screw (1pc)    | Tornillo a tierra (1pc)  | Vis de borne de terre (1pc)  |                                       |
| 6   | Finial (2pcs)         | Remate (2pcs)            | Faîteau (2pcs)               | PHSPRNU3ORBWTY<br>PHSPRNU3BN1WTY      |
| 6   | Finial (1pc)          | Remate (1pc)             | Faîteau (1pc)                |                                       |
| 7   | Glass (1,2 or 3 pcs)  | Vidrio (1,2 or 3 pcs)    | Verre (1,2 or 3 pcs)         | PHSP200GLSWTY                         |

\*Specify Finish / Especifica el Acabado / Spécifiez la Finition

REVISED: 12/11/2021  
CODES: PHVL2001, PHVL2002, PHVL2003