



RECESSED MEDICINE CABINET

BEFORE INSTALLING

Read entire Recessed Medicine Cabinet Installation Instructions. Observe all local building and safety codes.

INSTRUCTIONS

Unpack and inspect the product for any shipping damages. If you find damages, do not install. Contact Customer Service at 1-866-855-2284. If you need assistance or have questions while installing your cabinet, contact Customer Service.

A recessed medicine cabinet needs to be anchored inside the wall to rectangular framing. This framing must be clear of all obstructions. If there are any wires or plumbing lines that cannot be relocated you will need to install a surface-mount cabinet.

We recommend consulting a professional if you are unfamiliar with this type of installation. Signature Hardware accepts no liability for any damage to the cabinet or wall, or for personal injury during installation.

TOOLS AND MATERIALS:



Level



Drill



Tape Measure



Utility Knife



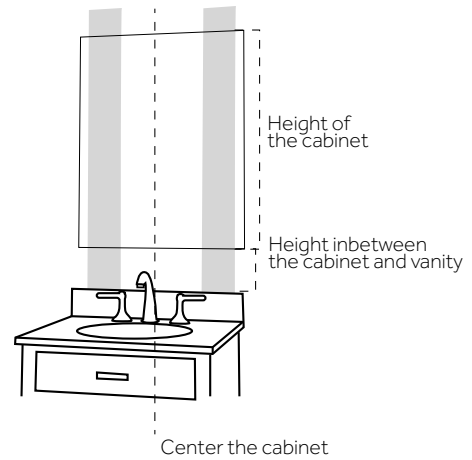
Pencil



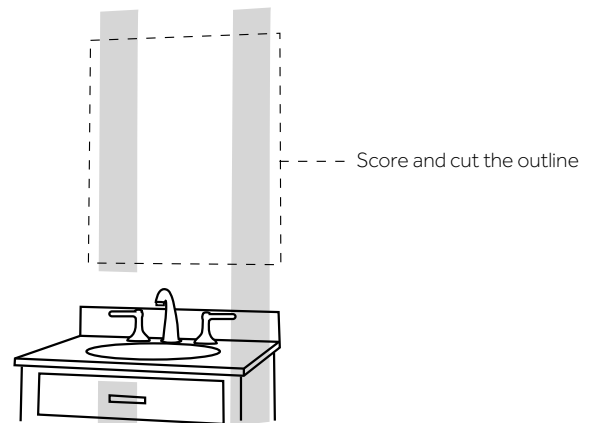
Wood Shims

INSTALLATION

1. To cut the hole for your recessed cabinet, center the cabinet above the sink at the appropriate height and draw a leveled outline of your cabinet on the wall.

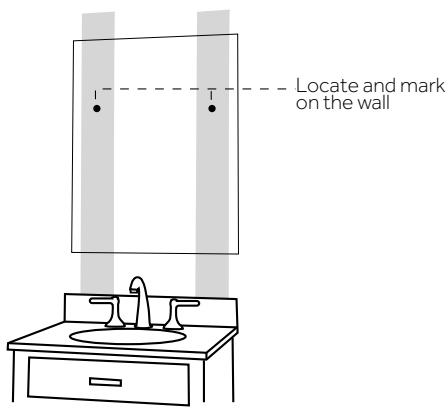


2. Score the outline with a utility knife and level. After the area is scored, cut out the area with a keyhole or reciprocating saw and remove the drywall.

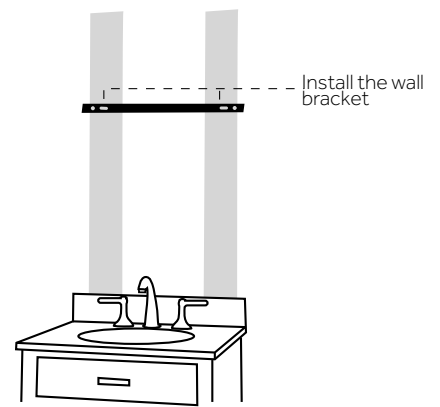




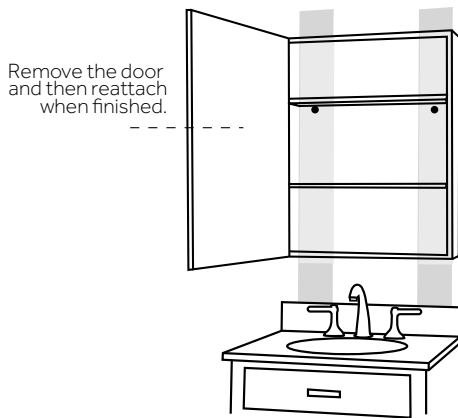
3. When the space has been cleared of all obstructions, firmly attach horizontal 2 x 4 blocking to the vertical wall studs with wood screws to create the framing for your cabinet. Make sure the drywall is secured to the edge of the wall studs, inserting screws as necessary.



5. When the cabinet is in the proper position, secure to the wall with the provided mounting hardware (drill pilot holes for the screws if needed).



4. Remove the medicine cabinet door(s), set aside and slide the medicine cabinet into place. Verify that the cabinet is level; use shims to adjust as necessary.



6. When your medicine cabinet is securely in place, finish your installation by reattaching the cabinet door(s).

