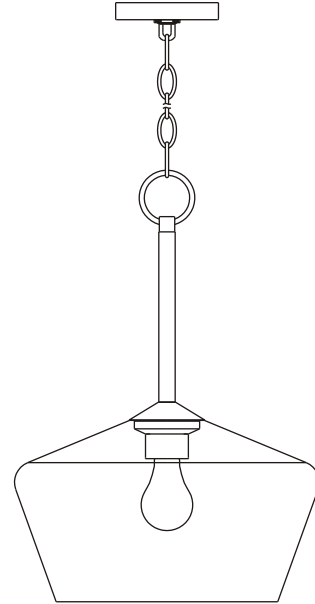


PARK HARBOR™

Pendant



PHPL6461PN

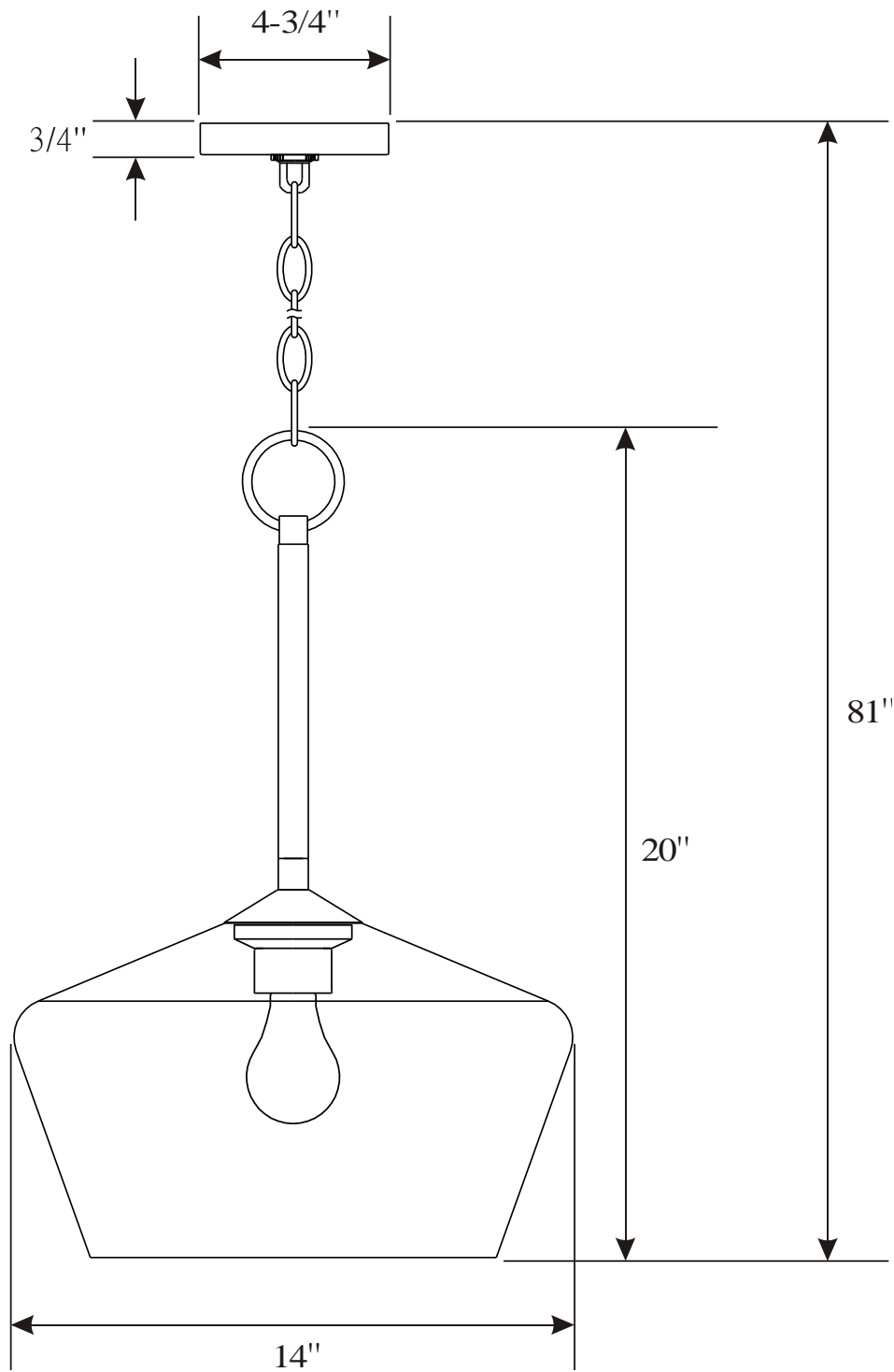
- 1 -Light Pendant in Polished Nickel
- Clear glass
- No special tools needed for assembly
- Wattage:

PHPL6461PN: Uses one 60W candelabra base lamp max

See dimensional drawing on back.

© 2018 Ferguson Enterprises, Inc. 00000 02/2018

PARKHARBORLIGHTING.COM



PHPL6461PN