

# GREENSBORO

## CENTERSET BATHROOM FAUCET

SKU: 445922

### BEFORE YOU BEGIN

We recommend consulting a professional if you are unfamiliar with installing plumbing fixtures. Signature Hardware accepts no liability for any damage to the faucet, plumbing, sink, counter top, or for personal injury during installation.

Observe all local plumbing and building codes.

Unpack and inspect the faucet for shipping damage. If any damage is found, contact our Customer Relations team at 1-866-855-2284.

---

### GETTING STARTED

- Ensure that you have gathered all the required materials that are needed for the installation.
- For these instructions, it is assumed that the old faucet has been completely removed and any necessary repairs or modifications to the water supply have been completed.

### TOOLS AND MATERIALS:



Plumbers  
Tape



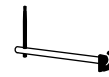
Thread  
Sealant



Adjustable  
Wrench



Small  
Bucket



Basin Wrench\*

For Warranty information, please visit: [signaturehardware.com/services/warranty](https://signaturehardware.com/services/warranty)

REVISED 04/13/2020  
CODES: 295019

# GREENSBORO

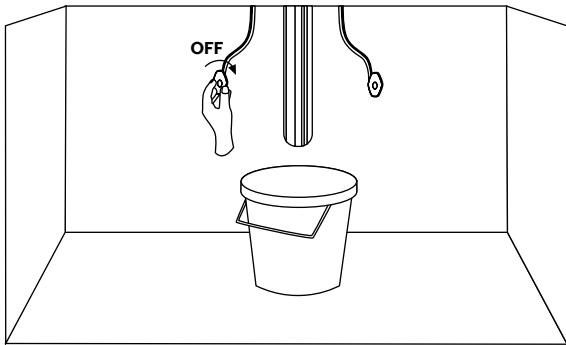
## CENTERSET BATHROOM FAUCET

SKU: 445922

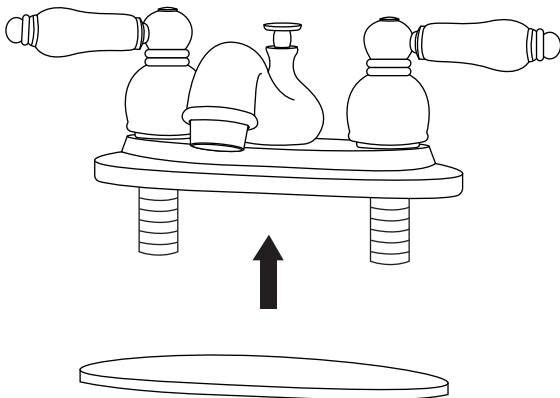
### FAUCET INSTALLATION

1. Ensure that the water supply below your sink is completely shut off by turning the valve all the way to the right.

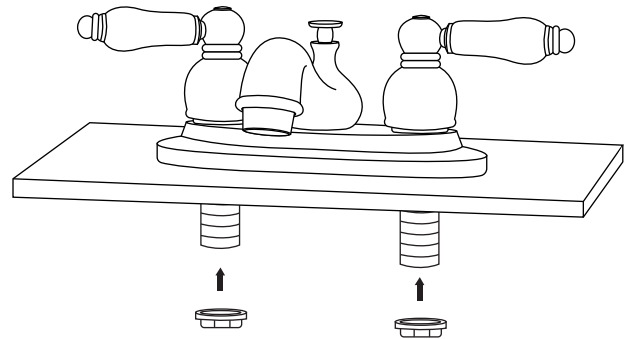
**Tip:** Place a small bucket below your workspace to catch any water that may drip during the installation process.



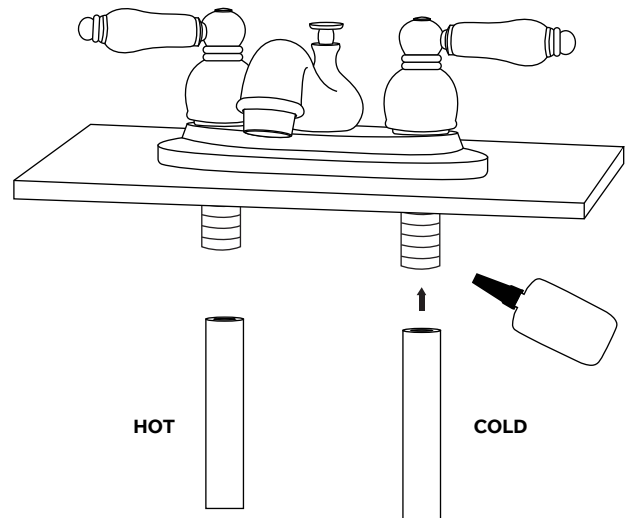
2. Slide the provided plastic baseplate onto the base of the faucet to prepare for install.



3. Insert the faucet into its prepared mounting holes. From below, secure the faucet by tightening the provided lock nuts onto each threaded shank. Hand tighten firmly. Finish tightening with an adjustable wrench if desired.



4. Connect the main water supply lines to the threaded shanks of the faucet. If needed, use the provided cone washers and lock nuts to make the connections. Apply thread sealant or plumber's tape to the threads before attaching.



# GREENSBORO

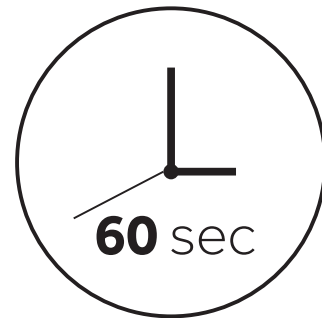
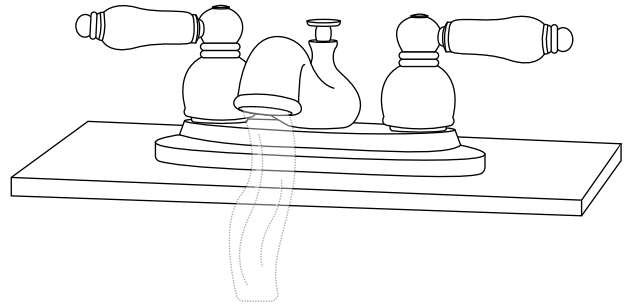
## CENTERSET BATHROOM FAUCET

SKU: 445922

5. Proceed to the installation of the sink drain. Once drain installation is complete, turn the main water supply back on from underneath your sink. Check for any leaks underneath.



6. Remove the aerator from the spout and turn the faucet on to remove any dust or loose sediment from the water lines. Check for leaks. Check to ensure that both hot and cold water are running properly. Allow the water to flow for approximately 60 seconds, then reattach the aerator.



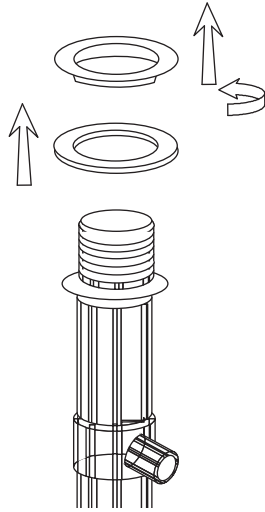
# GREENSBORO

## CENTERSET BATHROOM FAUCET

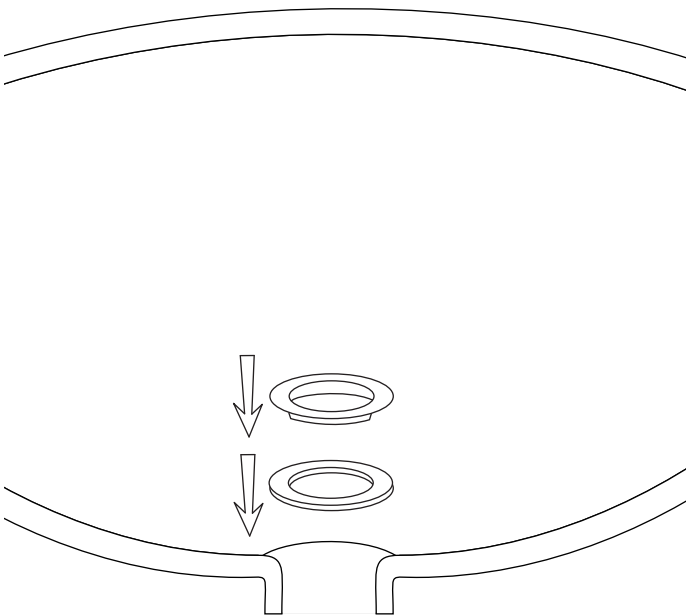
SKU: 445922

### DRAIN INSTALLATION

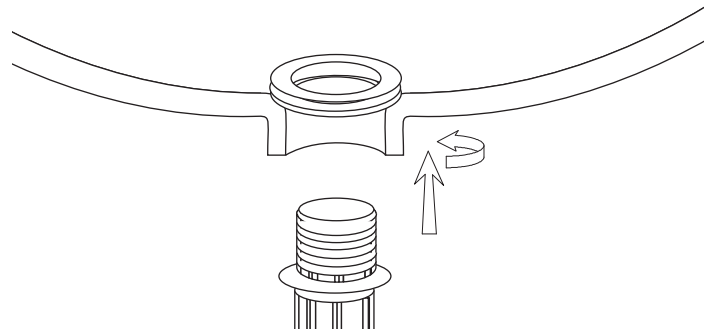
1. Remove the flange by unthreading it from the drain body. Remove the flat rubber gasket as well.



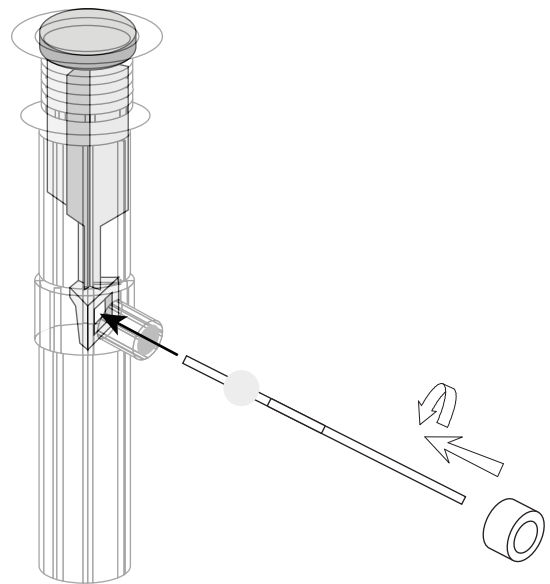
2. Set the flat rubber gasket over the drain hole in your sink, then insert the flange into the drain hole.



3. From beneath the sink, reattach the flange by threading it back onto the drain body.



4. Connect the drain lever by threading it into the hole on the side of the drain body. The lever must pass through the hole in the stopper tailpiece to function properly. Apply a bit of thread sealant or plumber's tape to the threads before attaching.

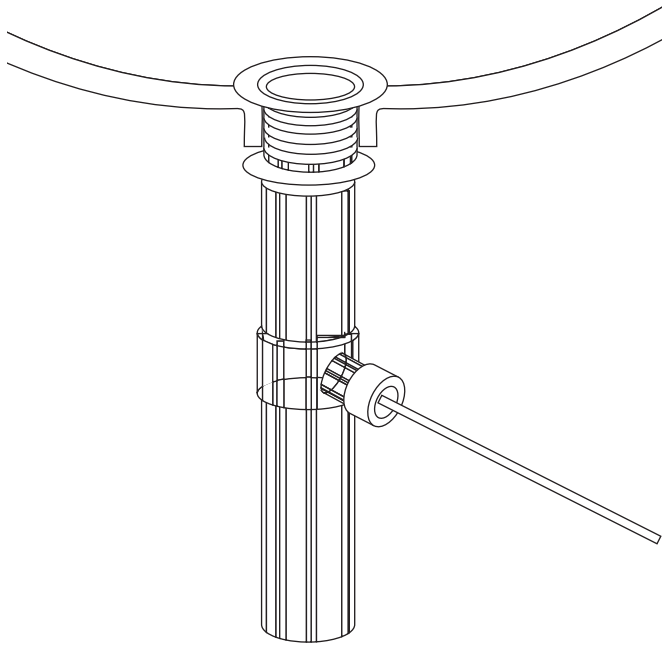


# GREENSBORO

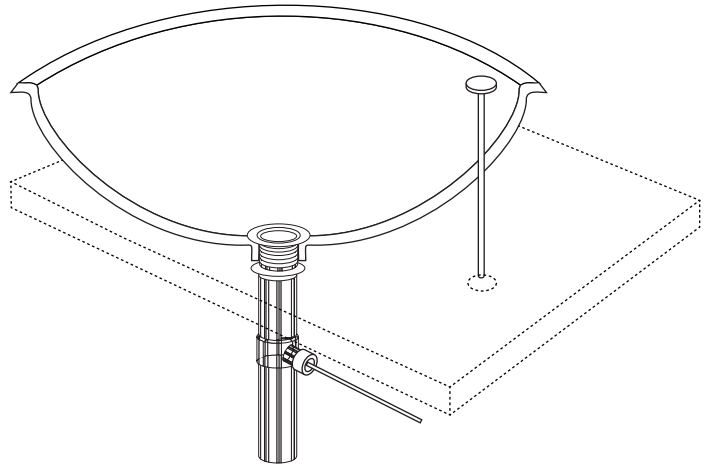
## CENTERSET BATHROOM FAUCET

SKU: 445922

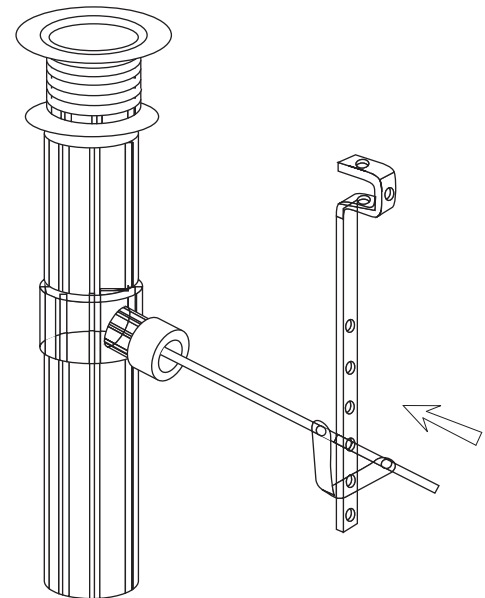
5. Position the drain so that the lever is facing the back of the fixture, in line with the faucet's lift rod. While holding in place, hand tighten the lock nut until secure then finish tightening with a basin wrench. Be careful not to overtighten, which can crack a fragile sink.



6. If not already installed, insert the faucet's lift rod into its designated hole on the back of the faucet.



7. Use the link to attach the faucet's lift rod to the drain lever. Pinch the metal clip located on the drain lever to remove. Slide one end of the clip back onto the lever, followed by the link, then the second end of the clip to secure.

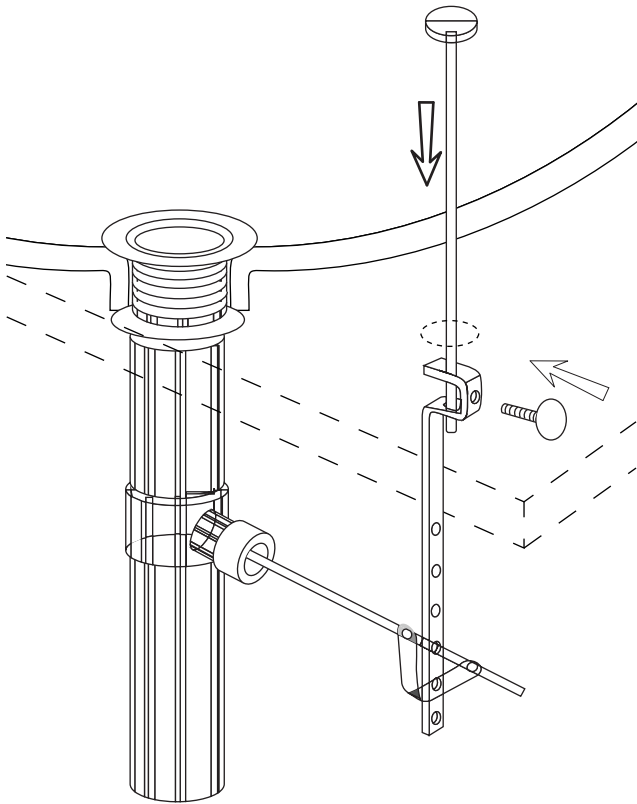


# GREENSBORO

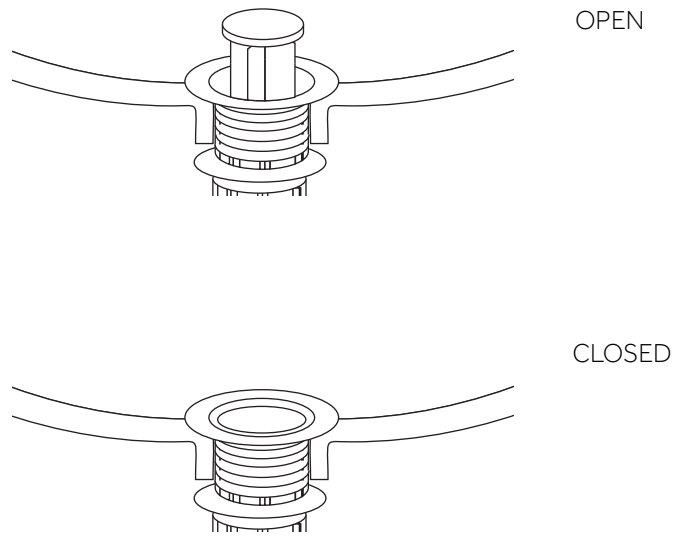
## CENTERSET BATHROOM FAUCET

SKU: 445922

8. Attach the lift rod to the top of the link and secure it by tightening the thumb screw.



9. Make any final adjustments to the positioning of the link and drain lever as needed. Adjust until the drain fully opens and closes.



10. Fill your sink to check for any leaks and to ensure that the drain is functioning properly.

