

FREY MIRROR

SURFACE MOUNTED

SKU: 949624, 949627, 949630

BEFORE YOU BEGIN

We recommend consulting a professional if you are unfamiliar with installing bathroom fixtures. Signature Hardware accepts no liability for any damage to the mirror, wall or for personal injury during installation.

Observe all local plumbing and building codes.

Unpack and inspect the product for shipping damage. If any damage is found, contact our Customer Relations team at 1-866-855-2284.

GETTING STARTED

- Ensure that you have gathered all the required materials that are needed for the installation.

TOOLS AND MATERIALS:



Level



Stud Finder



Drill

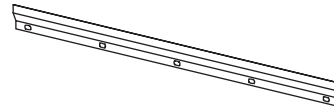


Pencil



Phillips
Screwdriver

HARDWARE LIST



Mounting Bracket
1 pc

For Warranty information, please visit: signaturehardware.com/services/warranty

REVISED 11/24/2020
CODES: 531218, 531219, 531220
531224, 531225, 531226

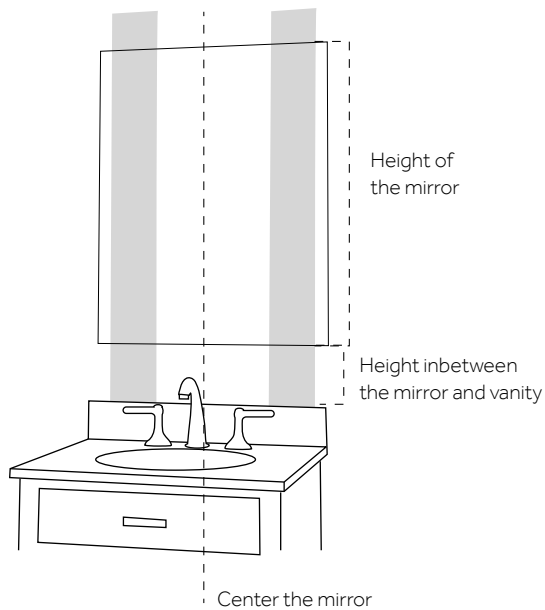
FREY MIRROR

SURFACE MOUNTED

SKU: 949624, 949627, 949630

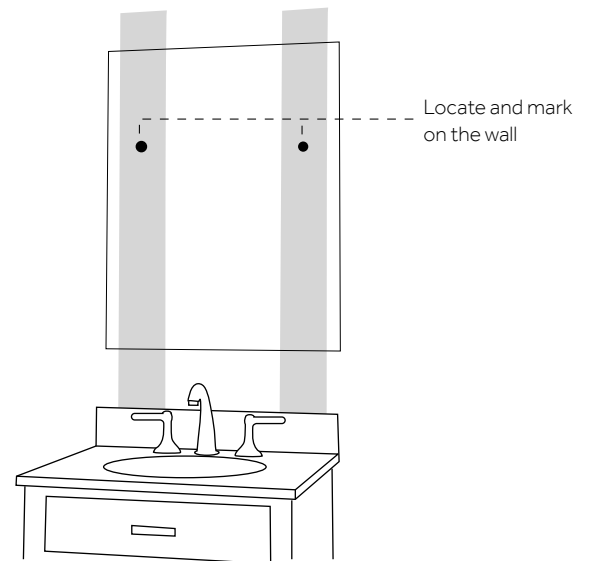
INSTALLATION

1. Center the mirror above the sink at the appropriate height and draw a leveled outline of your mirror on the wall.



2. Locate and mark the position of the wall studs to which you will fasten your mirror. You can find studs by listening for a solid sound as you knock on the wall or by using a stud finder.

Tip: If the studs in your bathroom do not line up to the mounting location for your mirror, wood blocking can be installed between the studs using standard 2 x 4's. If wood blocking needs to be installed behind the finished wall, we recommend consulting a professional if you are unfamiliar with this type of installation.



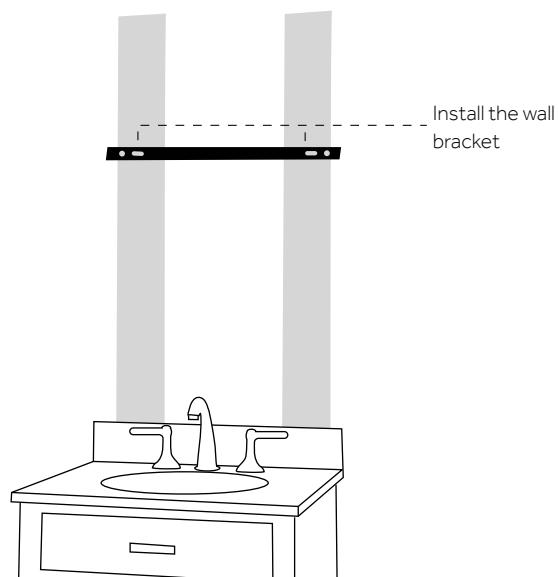
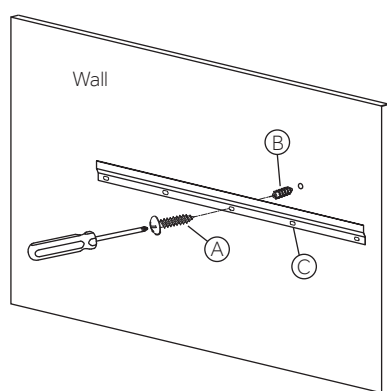
3. Measure the location of the mounting rail on the back of the mirror to determine the location of your wall bracket. Use the top of the mirror as your guideline. Use your level to verify that the wall bracket is properly aligned.

FREY MIRROR

SURFACE MOUNTED

SKU: 949624, 949627, 949630

4. Drill pilot holes and install the wall bracket (C). Insert wall anchors (B) into pilot holes. Secure wall bracket with provided hardware (A). Consult a professional if you are unfamiliar with this type of installation.



5. With the help of another person, hang your mirror by attaching the mounting rail to the wall bracket

