

ELMDALE

DOUBLE BOWL SEMI-RECESSED SINK VANITY

SKU: 951635, 951640, 951645, 951650, 951655

BEFORE YOU BEGIN

We recommend consulting a professional if you are unfamiliar with installing bathroom fixtures and plumbing. Signature Hardware accepts no liability for any damage to the floor, walls, plumbing, vanity cabinet, sink, counter top, or personal injury during installation.

Observe all local plumbing and building codes.

Unpack and inspect the vanity for damage. If any damage is found, contact our Customer Relations team at 1-866-855-2284.

GETTING STARTED

Ensure that you have gathered all the required materials that are needed for the installation.

Ensure that your bathroom floor is adequately supported, and the finished floor is level.

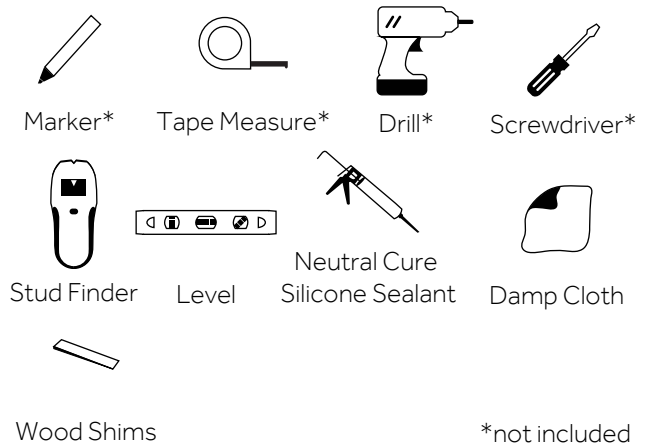
Ensure that there is adequate support behind the bathroom wall before installation.

PLANNING

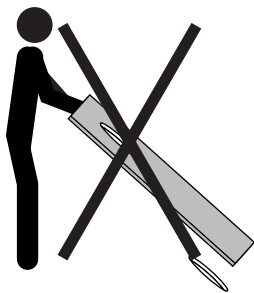
Use the vanity's PDF specification sheet as a reference when planning your layout. The specification sheet can be found and downloaded from the product page on our website.

Because the vanity specification measurements are approximate and slight variations may occur, we highly recommend performing any rough-in procedures with the vanity on site.

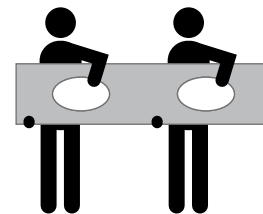
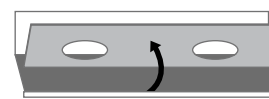
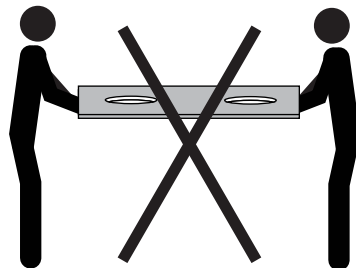
TOOLS AND MATERIALS:



NEVER LIFT THE VANITY TOP FLAT



NEVER CARRY THE VANITY TOP FLAT



For Warranty information, please visit: signaturehardware.com/services/warranty

REVISED 01/28/2021
CODES: 532229, 532230
532251, 532253, 532254

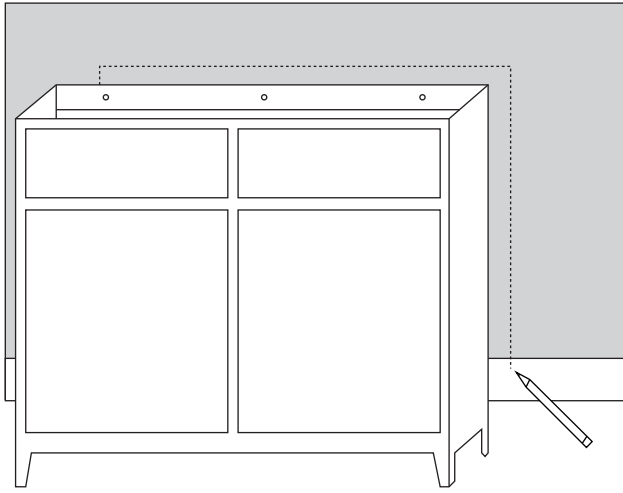
ELMDALE

DOUBLE BOWL SEMI-RECESSED SINK VANITY

SKU: 951635, 951640, 951645, 951650, 951655

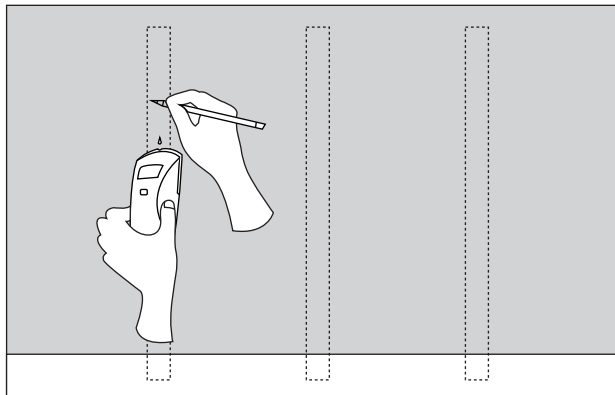
CABINET INSTALLATION

1. Determine the location where you would like to install your vanity.

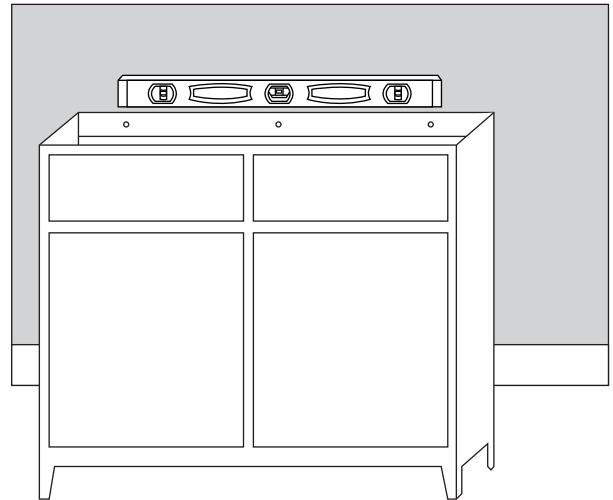


2. Locate and mark the location of the studs to which you will fasten your vanity. You can locate studs by using a stud finder.

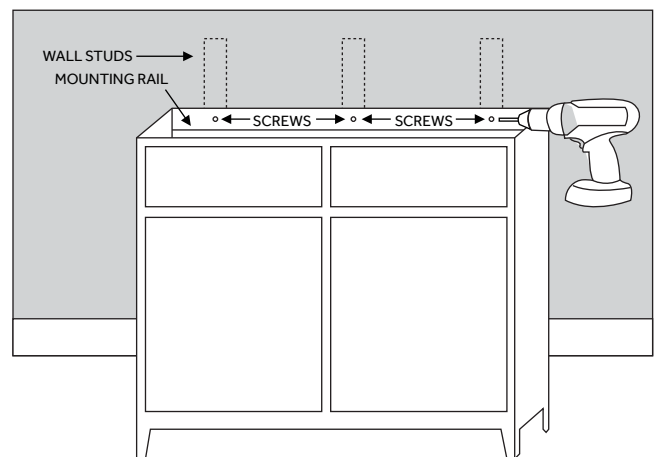
Important: If the studs in your bathroom do not line up to the mounting location for your vanity, wood blocking can be installed between the studs using standard 2 x 4's. If wood blocking needs to be installed behind the finished wall, we recommend consulting a professional if you are unfamiliar with this type of installation.



3. Place the vanity in the installation location. Verify that the vanity cabinet is level. If the vanity is not level, adjust the feet (if applicable) or use wooden shims to adjust as necessary.



4. Attach the vanity to the wall by screwing through the back of the vanity cabinet. Use the marked stud locations as a guideline. Proceed to Step 2 for attaching your counter top.



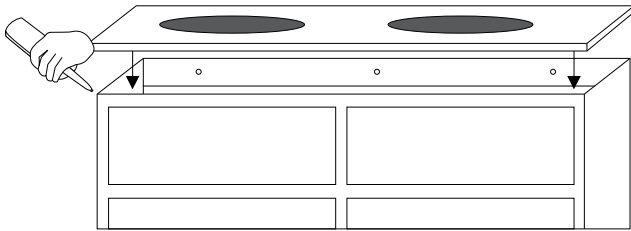
ELMDALE

DOUBLE BOWL SEMI-RECESSED SINK VANITY

SKU: 951635, 951640, 951645, 951650, 951655

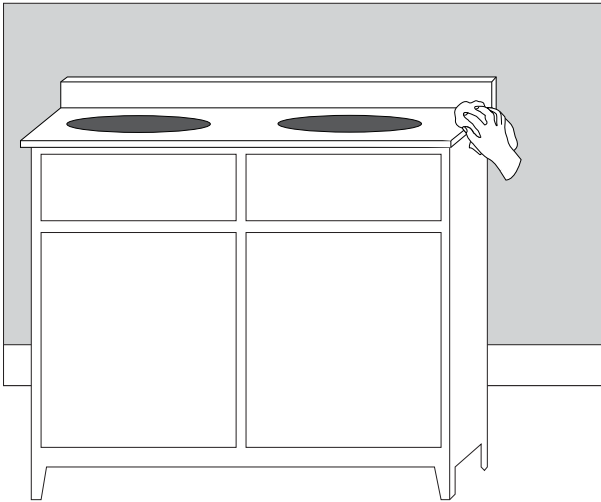
COUNTER TOP INSTALLATION

1. Apply a bead of silicone sealant around the top edge of the vanity cabinet.

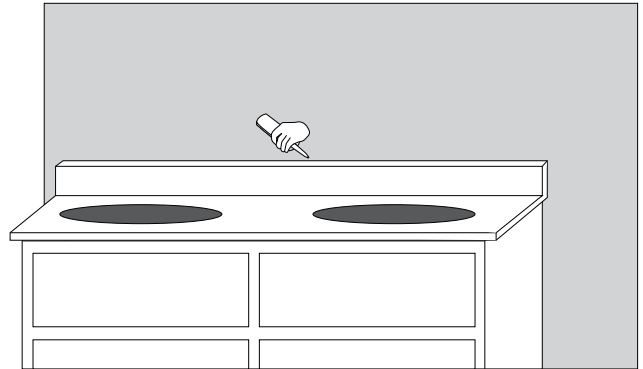


2. With assistance from another person, slowly and carefully set the counter top onto the vanity cabinet. Once positioned, press firmly into place. Wipe away any excess sealant using a damp cloth.

Important: The counter top is very fragile. Take caution when handling, and have someone assist you.



3. If you are installing a side-splash and/or back-splash, place a generous amount of silicone sealant on the back of it and press it into place against your bathroom wall. Fill any gaps that are left with silicone sealant. Wipe away any excess sealant with a damp cloth.



4. Allow the silicone sealant to dry. It will take up to 24 hours to dry completely.

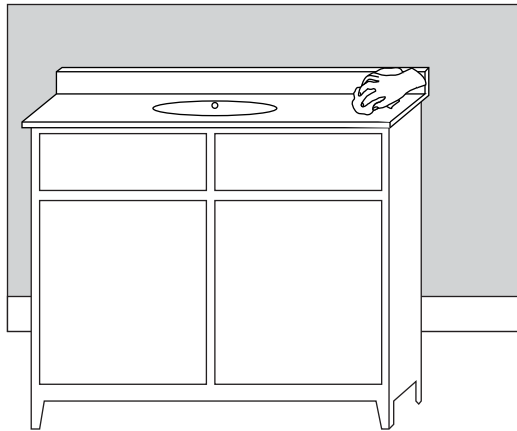


ELMDALE

DOUBLE BOWL SEMI-RECESSED SINK VANITY

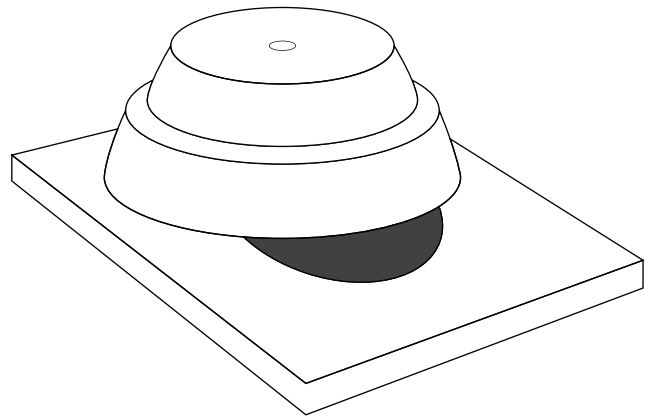
SKU: 951635, 951640, 951645, 951650, 951655

5. For stone tops, such as marble and granite, it is recommended that you apply a high-quality sealer to protect from staining and discoloration. Stone sealer should be reapplied once or twice per year, depending upon usage.

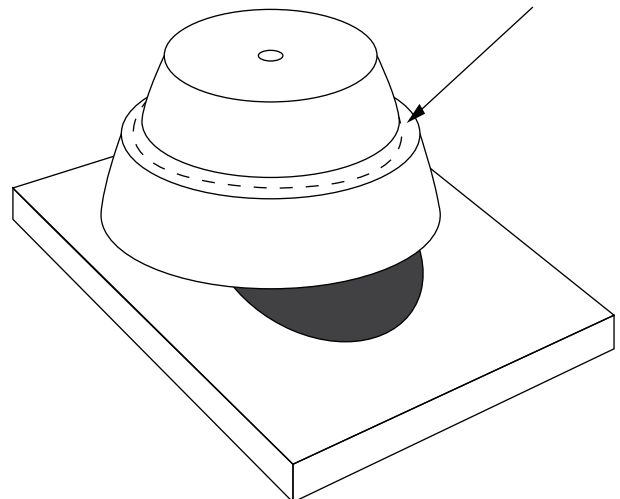


SINK INSTALLATION

1. Carefully place your semi-recessed sink upside down on the counter top.



2. Apply a continuous bead of silicone sealant to the outer edge of the sink where it will contact the counter.

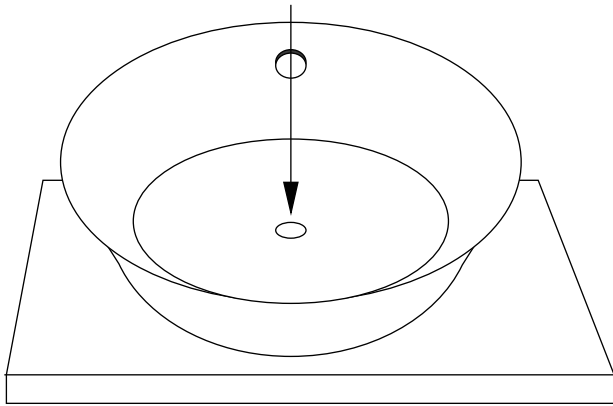


ELMDALE

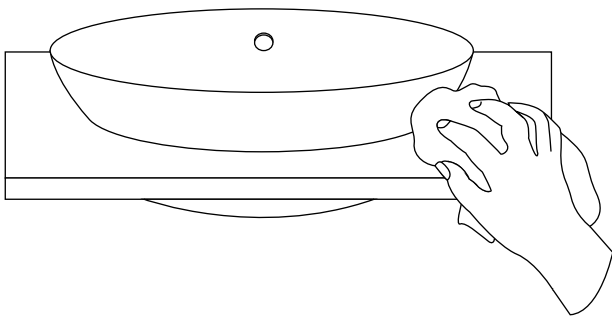
DOUBLE BOWL SEMI-RECESSED SINK VANITY

SKU: 951635, 951640, 951645, 951650, 951655

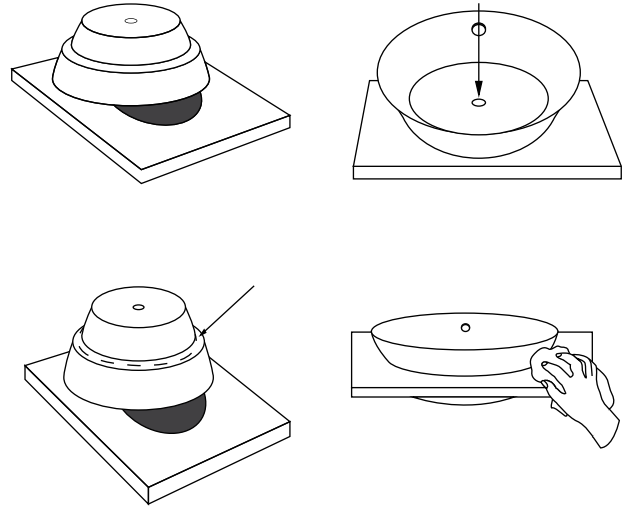
3. Turn the sink back over, placing it inside the sink's cutout and adjust the sink as necessary until centered. Once in position, press the sink firmly into place.



4. Remove any excess sealant to complete the sink installation.



5. Repeat steps 1-4 to install the second sink.



6. Let the assembled vanity sit for 24 hours to allow all the silicone sealant to fully dry. Once dry, proceed to the installation of your faucet and drain assemblies.

Note: In some situations, it may be necessary to cut the inner cabinet shelves to allow space for your drain's P-traps.



ELMDALE

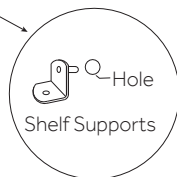
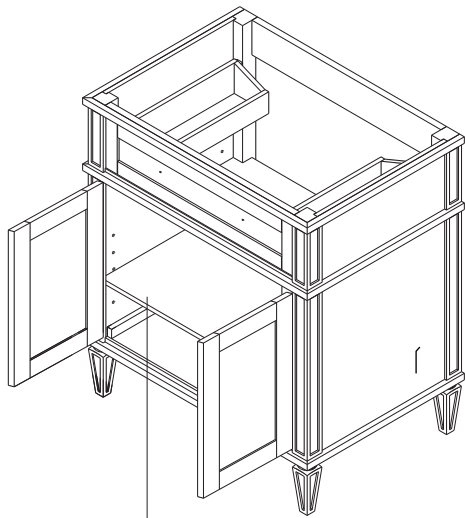
DOUBLE BOWL SEMI-RECESSED SINK VANITY

SKU: 951635, 951640, 951645, 951650, 951655

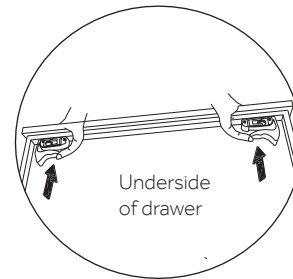
INSTALLING SHELF

(If shelf is already installed move to next section)

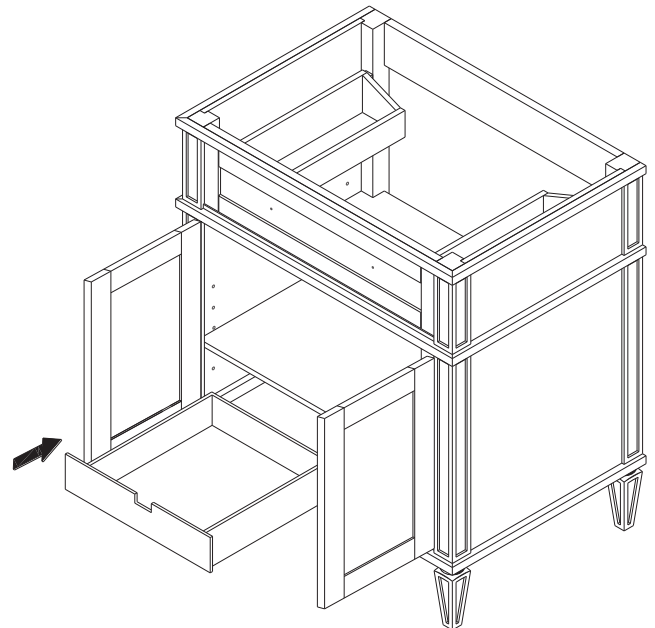
1. Remove shelf, shelf supports and screws from packaging. Insert shelf supports into holes on vanity at desired height.



2. For added stability the shelf can be attached to the shelf supports using the provided screws. The bottom drawer will need to be removed to insert screws into shelf supports. The drawer can be removed by squeezing release clips on underside of the drawer.



3. Re-install the drawers by pulling the inner slides fully to the front. Sit the drawer on top of the inner slides while inserting the hooks at the back of drawer. Push drawer so that the glides and trigger will engage.



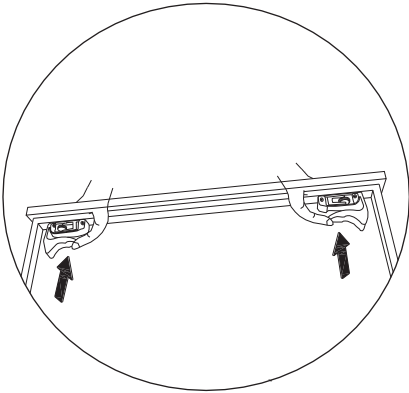
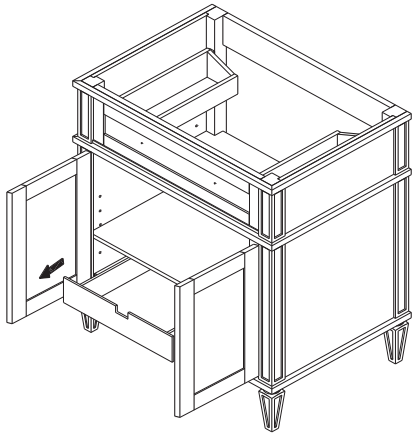
ELMDALE

DOUBLE BOWL SEMI-RECESSED SINK VANITY

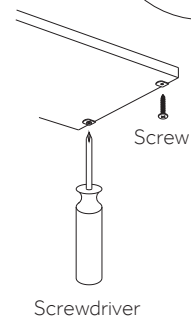
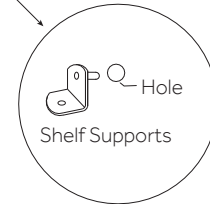
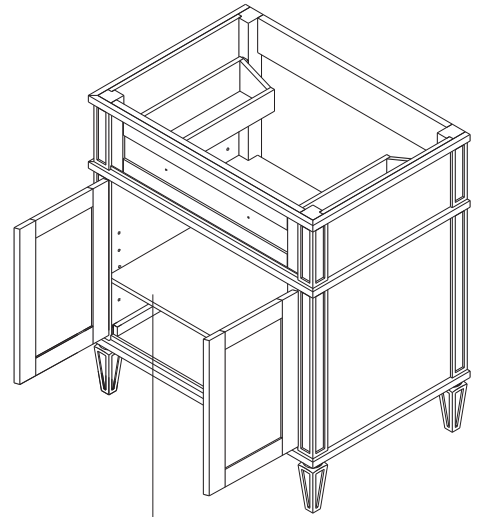
SKU: 951635, 951640, 951645, 951650, 951655

ADJUSTING SHELF HEIGHT

1. Remove drawer by pulling out fully then press the quick release trigger of the slides from the bottom of the drawer.



2. Remove the screw from the shelf supports if needed. Lift up the shelf and reposition the shelf supports to the desired height. Rest the shelf on the shelf supports and reinstall screws (if desired).



ELMDALE

DOUBLE BOWL SEMI-RECESSED SINK VANITY

SKU: 951635, 951640, 951645, 951650, 951655

3. Re-install the drawers by pulling the inner slides fully to the front. Sit the drawer on top of the inner slides while inserting the hooks at the back of drawer. Push drawer so that the glides and trigger will engage.

