



# ACRYLIC FREESTANDING TUB

## INSTALLATION INSTRUCTIONS AND CARE GUIDE

### CONTENTS

<b>Tub Installation</b> .....	2
Rough-In.....	2
<b>Drain Installation</b> .....	3
Drain without Overflow.....	3
Waste and Overflow Drain.....	3
Trimming Drain Pipes.....	4
<b>Air Tub Installation</b> .....	5
Electrical Installation.....	5
Remote Control Installation.....	6
Troubleshooting.....	8
<b>Cleaning and Maintenance</b> .....	9
<b>Scratch Removal</b> .....	9



## TUB INSTALLATION

Before you begin, read the following installation and care instructions. Observe all local plumbing, building, and electrical codes. Install your tub on an adequately supported and level finished floor.

Unpack and inspect your tub for damages. If any damage is found, contact Customer Service at 1-866-855-2284 and return the tub to the packing crate. If you need assistance while installing your new tub, call Customer Service.

We recommend consulting a professional if you are unfamiliar with installing bathroom fixtures and plumbing. Keep the plumbing connections around the tub easily accessible for any future maintenance that may be necessary. Measure doorways and other entry points to ensure the tub will fit into the desired installation area. Signature Hardware accepts no liability for any damage to the floor, walls, plumbing, or for personal injury during installation.

### TOOLS AND MATERIALS:

Pencil or Marker	Tape Measure	Straight Edge
Metal Blade Hacksaw	Thread Sealant	Silicone Sealant (100% Neutral Cure)
Adjustable Wrench	Damp Cloth	

### ROUGH-IN

The type of drain and connection method used will vary depending on your plumbing access. Determine the type of connection (drain tailpipe, hub adapter, or waste and overflow) taking into account the height and material of the finished floor.

Because the tub specification measurements are approximate and slight variations may occur, we highly recommend performing any rough-in procedures with the tub on site. For on-site rough-in information, go to the appropriate Drain Installation section. For determining drain rough-in without the tub present, continue to Steps 1 and 2 before proceeding to drain installation.

Refer to the tub's PDF Specifications sheet. (This can be viewed/printed from the website.)

1. Determine the desired location and orientation of the tub and mark the location on the floor using the length and width dimensions provided in the PDF Specifications.
2. If the tub will have a drain only (no waste and overflow), use a tape measure and straightedge to mark the centerline of the drain location on the floor. Use the dimensions provided in the PDF Specifications as a guideline. If the tub will have waste and overflow, use the dimensions provided in the PDF Specifications as a guideline.

**Proceed to the appropriate Drain Installation section**



## DRAIN INSTALLATION

### DRAIN INSTALLATION (NO OVERFLOW)

1. Set the tub in the desired installation location and mark the drain hole location on the floor. If your tub is not present, mark the location determined in the **Rough-In** section.
2. Move the tub away from the installation location so that the plumbing can be installed. The drain pipe should extend approximately 6" above the finished floor.
3. When the floor is finished, measure and cut the drain pipe to the appropriate length for the type of drain that is being used.
4. Temporarily set the tub in location and verify that the tub is level. If not, adjust the tub feet as necessary.

**Note:** Try to keep the bottom of the tub approximately 1/8" from the finished floor. The weight of the tub, water, bather, etc. are fully supported by the tub feet.

5. Apply thread sealant or plumber's tape to any threaded connections that do not have a rubber sealing gasket. Apply silicone sealant to the underside of the drain flange and thread it through the tub and into the drain pipe.
6. Tighten all connections with your adjustable wrench to secure. Do not overtighten.
7. When your tub is in place and all connections have been made, fill the tub with water to check for any leaks from the connections and verify that the drain is working properly.
8. Finish your installation by running a bead of silicone adhesive around the base of the tub. Wipe away any excess sealant with a damp cloth.

### WASTE AND OVERFLOW DRAIN INSTALLATION

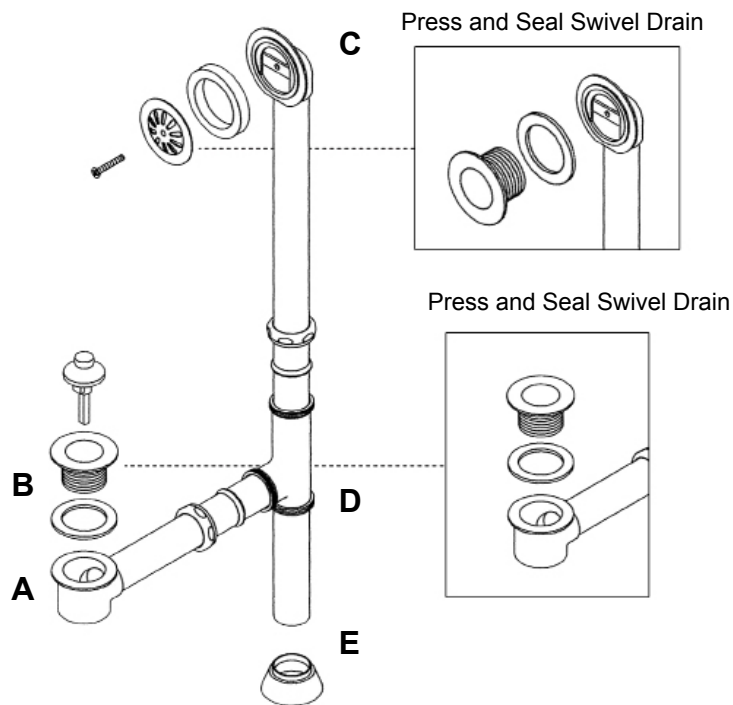
A waste-line hole, or mouse-hole, has been pre-drilled near the bottom of your tub and an overflow hole has been drilled near the tub rim with the overflow assembly installed.

1. Set the tub in the desired installation location and drop a plumb line from the center of the overflow drain assembly to the floor to determine the drain hole location. Mark the drain hole location on the floor. If your tub is not present, move on to the next step using the location determined in the **Rough-In** section.
2. Move the tub away from the installation location so that the plumbing can be installed with a drain pipe at the appropriate height for the waste and overflow piping.
3. Because tubs vary in size, measure your space thoroughly before installation. Trim pipes accordingly to ensure a correct fit. See the **Trimming Drain Pipes** section for more information.
4. Temporarily set the tub in location and verify that the tub is level. If the tub is not level, adjust the tub feet as necessary.

**Note:** Try to keep the bottom of the tub approximately 1/8" from the finished floor. The weight of the tub, water, bather, etc. is fully supported by the tub feet.

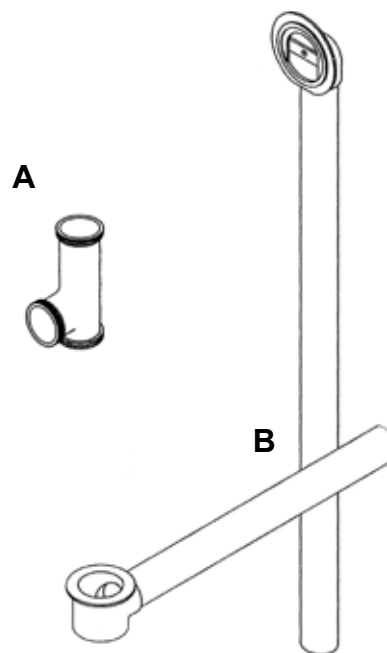


5. Apply thread sealant or plumber's tape to the threads at each end of all pipes prior to installation. If two pipes arrive attached, be sure to take them apart and apply sealant before installing.
6. Connect the tub shoe assembly (A) and rubber washer to the tub drain (B).
7. Install the overflow assembly (C) with the beveled washer, overflow plate, mounting screw (provided) and any other washers or rubber sealing gaskets included.
8. Attach the waste and overflow tee (D) to the overflow assembly (C) and shoe assembly (A) with sealing washers and slip nuts.
9. Attach the drain tube and flange (E) to the waste and overflow tee (D) with the sealing washer and slip nut.
10. When your tub is in place and all connections have been made, fill the tub with water to check for any leaks from the connections and verify that the drain is working properly.
11. Finish your installation by running a bead of silicone adhesive around the base of the tub. Wipe away any excess sealant with a damp cloth.



## TRIMMING DRAIN PIPES

1. To trim the drain shoe and overflow pipes appropriately, connect the overflow and drain assemblies and pipes to the tub.
2. The overflow tee (A) will be attached at the points where the drain pipes intersect (B).
3. Measure and mark each pipe so that the end of the pipe reaches a little over halfway into the overflow tee (A).
4. Trim the pipes at the marked locations with a hacksaw. Make sure that the blade is suitable for cutting metal





## AIR TUB INSTALLATION

Your application and circumstances may call for variations to the installation instructions. We recommend consulting a professional if you are unfamiliar with installing bathroom fixtures and plumbing. Signature Hardware accepts no liability for any damage to the walls, floor, plumbing, etc. or for personal injury during installation.

No modifications, additions or deletions should be made to the blower without factory approval. Do not relocate blower without prior approval from the factory.

Ensure that a class A ground fault interrupter (G.F.I.) is installed as part of the wiring. Wiring should be permanent. Do not use an extension cord. Have the electrical part of the installation done by, or approved by, a qualified electrician.

The blower has no serviceable parts.

### IMPORTANT

Never handle your air massage bathtub by the piping.

Do not rest your tub on the jets on the bottom of the tub. Make sure that the back jets are protected when moving the tub.

An access panel of 30" x 15" must be located near the blower to allow access for any servicing that may be necessary.

The blower must be uninsulated with sufficient air space to function properly. Surrounding air should be able to reach the space under the apron or podium of the tub.

If factory installed, the optional heating element on your air massage system heats the air blown into the bathtub for the comfort of the customer. It will not reheat or maintain the temperature of the bath water.

The area underneath and around the bathtub must be cleaned before finalizing the installation to ensure that no wood shavings or other particles enter the air blower and are blown through the jets.

Before filling with water, clean the tub of installation debris and dirt. Use a vacuum cleaner if necessary.

Verify the connection and functioning of the touch pad and air blower before finalizing the installation.

### ELECTRICAL INSTALLATION

1. Electrical installation is subject to inspection and approval by local authorities. All electrical connections must be made by a licensed electrician.
2. Before beginning installation make sure that the electricity is disconnected at the fuse box.
3. The blower must be located out of reach from the person in the bathtub and fixed in position with screws.
4. The blower connection is pre-installed. Do not remove the blower cover, this will void the warranty.
5. Refer to your local electrical code if the distance between the tub and the main fuse box is more than 100 feet.



**120V** Use the factory pre-installed type SJ wire to connect to junction box (not provided by the tub manufacturer). Run a separate 120V, 60Hz, 15A G.F.I. (Class A protected) electric circuit from the main fuse box to the junction box. Use a 14 gage three conductor cable (2 wires plus ground) in connections up to 100 feet (30,4m) from the main fuse box.

**240V** Use the factory pre-installed type SJ wire to connect to junction box (not provided by the tub manufacturer). Run a separate 240V, 60Hz, 15A G.F.I. (Class A protected) electric circuit from the main fuse box to the junction box. Use a 14 gage three conductor cable (2 wires plus ground) in connections up to 100 feet (30,4m) from the main fuse box.

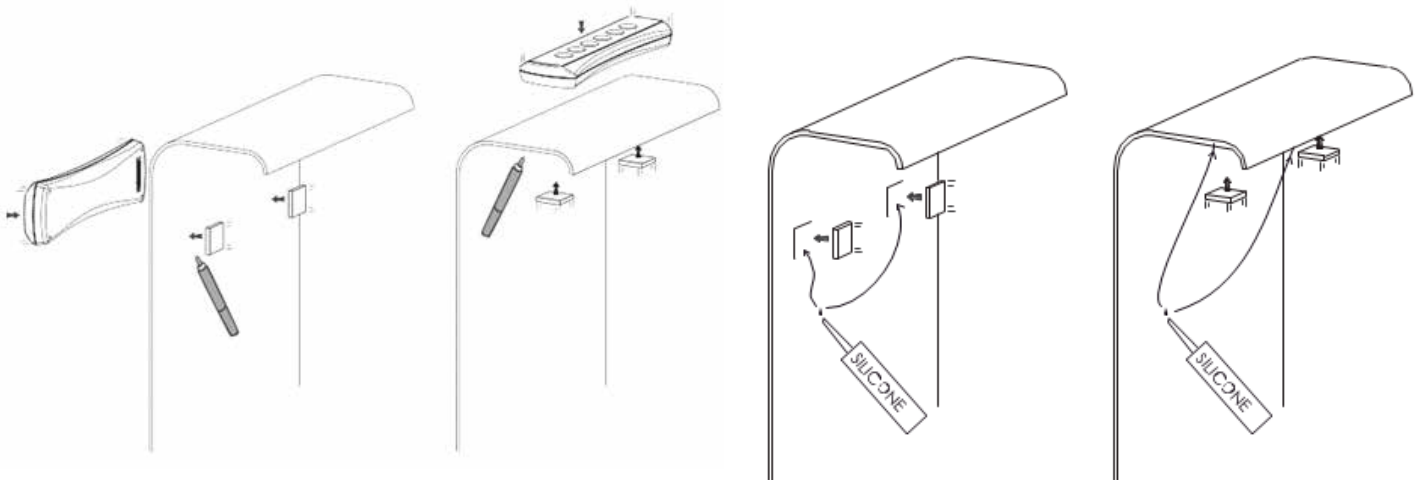
## REMOTE CONTROL INSTALLATION

1. Determine the appropriate location for the remote control on the tub.
2. Hold the remote control in the chosen location.
3. Position the magnets on the exterior of the bathtub. The attraction force will guide you to the proper area and the magnets will stay in place.
4. Mark the position of the magnets with a marker or pencil.

**Note:** Magnets always have a positive and negative side and will only be attracted to one side. Consider this to avoid applying the silicone to the wrong side.

5. Apply a dab of silicone to the magnets and place in the marked position.
6. Let the silicone dry for 24 hours.

**Warning:** These magnets are extremely powerful despite their small size. Use caution while installing and handling to avoid injuries caused by a sudden movement of the magnets clinging together and possibly pinching fingers, skin or other. Persons with physical conditions that could be affected by magnetic fields should avoid using it and/or consult with their physician.





### Receiver module installation:

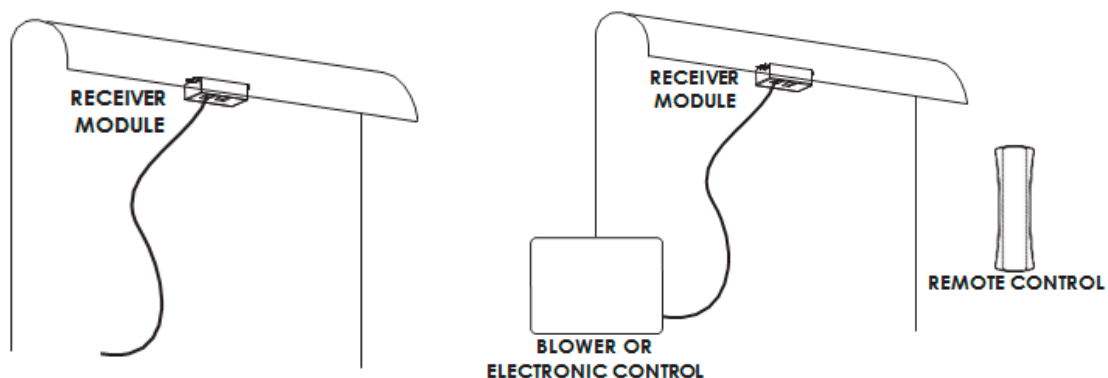
1. The receiver module must be installed under the rim of the tub.
2. In order to obtain the best reception possible, we recommend that you do not install the receiver module next to faucets or metal piping.
3. The location of the receiver module must be easily accessible from the outside of the bathtub for maintenance.

### Remote control to activate system:

1. Plug in the cable as shown.
2. When all items are connected, the remote control is ready for synchronization.

### Remote Control Synchronization:

1. Once the system has been connected, the remote control must be synchronized with its receiver module.
2. Perform a reset by switching the main breaker off and on, or unplugging the system and plugging it in again.
3. From this moment, you have 15 seconds to proceed with the synchronization.
4. Press the second and third buttons on the remote (simultaneously) and hold for 4 seconds.
5. The remote control is now synchronized and ready to use.
6. If the synchronization is not successful the first time, resynchronize starting from step 2.





## TROUBLESHOOTING

### **If the blower is not operating properly:**

- Verify that the remote control is connected properly.
- Check your electric power supply. Reset the circuit breaker or replace the fuse if necessary.
- If the system has been functioning for quite some time, it is possible that the thermic protection has shut off the motor. Let it cool off for at least 30 minutes before using it again.

### **If the motor is running, but no air is coming through the jets:**

- Verify that the main air hose is properly connected. It may be necessary to reconnect and tighten the clamps.

### **If the air outlets of the jet heads are obstructed:**

- Fill your tub with warm water, and switch the system ON and OFF several times.
- Carefully tap on the jet heads with the handle of a screw driver or a similar plastic tool while the blower is running to dislodge the ball bearing. After use, drain the water from the tub and let the system run for 5-9 minutes to dry the jets and prevent the ball bearings from becoming lodged in the future.
- If tapping on the jet does not work, remove the jet cap. Slide a small tool between the jet wall and the ball bearing to break the bearing loose from any remaining residue.

### **If the air heater is not working properly:**

- To verify the operation of the air heater, fill the bathtub to working level and operate the blower on high for approximately 5 minutes. Carefully feel the flexible connection hose where it is connected to the blower. The hose and its immediate area should feel warm to the touch. If the hose and the surrounding air do not feel warm, contact customer service.
- If your tub is installed against two outside walls, make sure that the walls are adequately insulated to minimize heat loss.
- Those with sensitive skin may experience what is called the “cold air effect”. This is caused by the sensation of air bubbles running along the skin and providing the bather with a shivering sensation. Move your body slightly away from the closest jet to stop the sensation of cold air. (This shivering effect would persist even if the out-coming air was very hot.)

**Note:** The air heater is not designed to heat your bath water, but to preheat the incoming air to body temperature.





## **CLEANING AND MAINTENANCE**

Wash your tub at least once a week with a gentle soap, such as dish-washing liquid, and warm water. Do not use any abrasive cleaning pads or materials; we recommend the use of a soft sponge or microfiber washcloth. Vinegar can be used to remove hard water buildup and mildew. Rinse with warm water and dry with a clean, soft cloth after each use.

Clean the silicone bead at base of the tub regularly with a 50/50 mix of water and chlorine bleach. Rinse with hot water and wipe dry using a clean, soft cloth. We recommend buffing your tub every three months with white polishing compound to maintain the finish.

## **SCRATCH REMOVAL**

Perform the following steps to remove any scratches from your acrylic tub.

1. Using a damp sponge, wash the area with warm water and dish-washing liquid. Rinse thoroughly with warm water.
2. Do not use any type of abrasive cleaning pads or chemicals. Read the labels on your cleaners to be sure they are gentle enough to be used on your acrylic tub.
3. Apply circular, even strokes to the scratched area using dampened fine-grit sandpaper.
4. Wipe the area clean with a damp sponge and rinse thoroughly.
5. Apply white polishing compound and water with a soft, clean cloth. Rub in a circular motion to polish and buff the area.
6. Wipe off any excess residue and rinse the tub with warm water. Dry the surface with a clean, soft cloth.