

BRADENTON

ELONGATED TWO-PIECE TOILET - 19" BOWL HEIGHT

SKU: 953379-12



FEATURES

Product Finish: White
Material: Porcelain
Bowl Shape: Elongated
Hardware Finish: Chrome
Seat Included: Yes
Skirted Bowl with Concealed Trapway
Flush Levers: Offered in Left and Right Configurations
Toilet with a Standard Seat Meets ADA Requirements when Installed According to ADA Guidelines
High Efficiency Toilet Uses 20% Less Water than Standard Toilets
Optional Bidet Seat Details:
Bidet Seat Adds 1" to Bowl Height
Side Knob Allows for Adjustment of Angle, Water Volume, and Cleaning Type
Spray Nozzle Features Multiple Holes for a Softer Cleanse and Water Saving Operation
Spray Nozzle is Self-Cleaning, Antibacterial, and Removable for Further Cleaning
Bidet Seat has a Glossy Finish with Protective Bumpers and Self-Closing Seat/Lid
Includes Polished Chrome Metal Flush Lever

CONTENTS

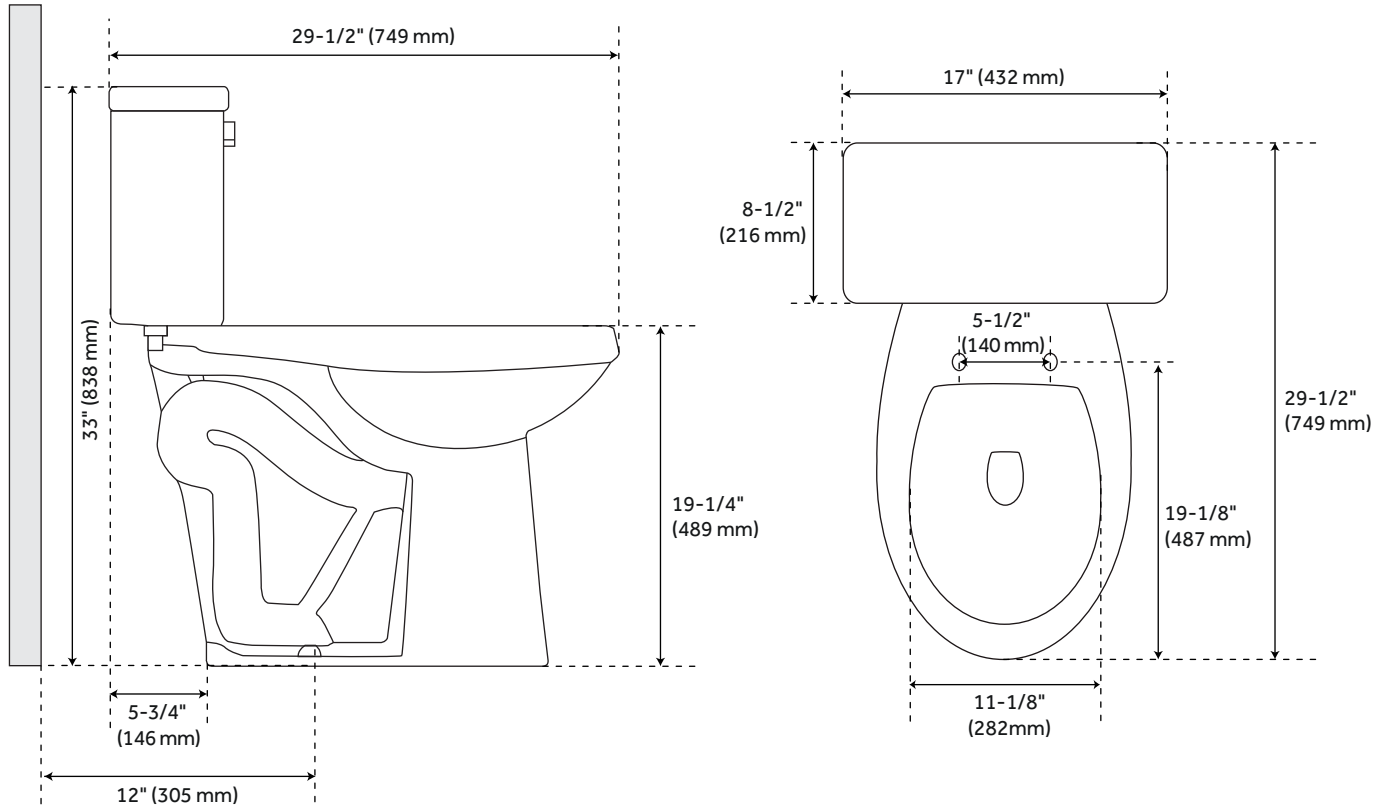
TOILET	PAGE 2
TOILET SEAT	PAGE 3
BIDET SEAT	PAGE 4

REVISED 09/30/2021

BRADENTON

ELONGATED TWO-PIECE TOILET - 19" BOWL HEIGHT

SKU: 953379-12



FEATURES

Rough In: 12"
Length: 17"
Height: 33"
Depth: 29-1/2"
Bowl Height: 19-1/4"

CODES/STANDARDS

ASME A112.19.2/CSA B45.1
WaterSense
CEC listed
Massachusetts Accepted

PRODUCT IMAGE

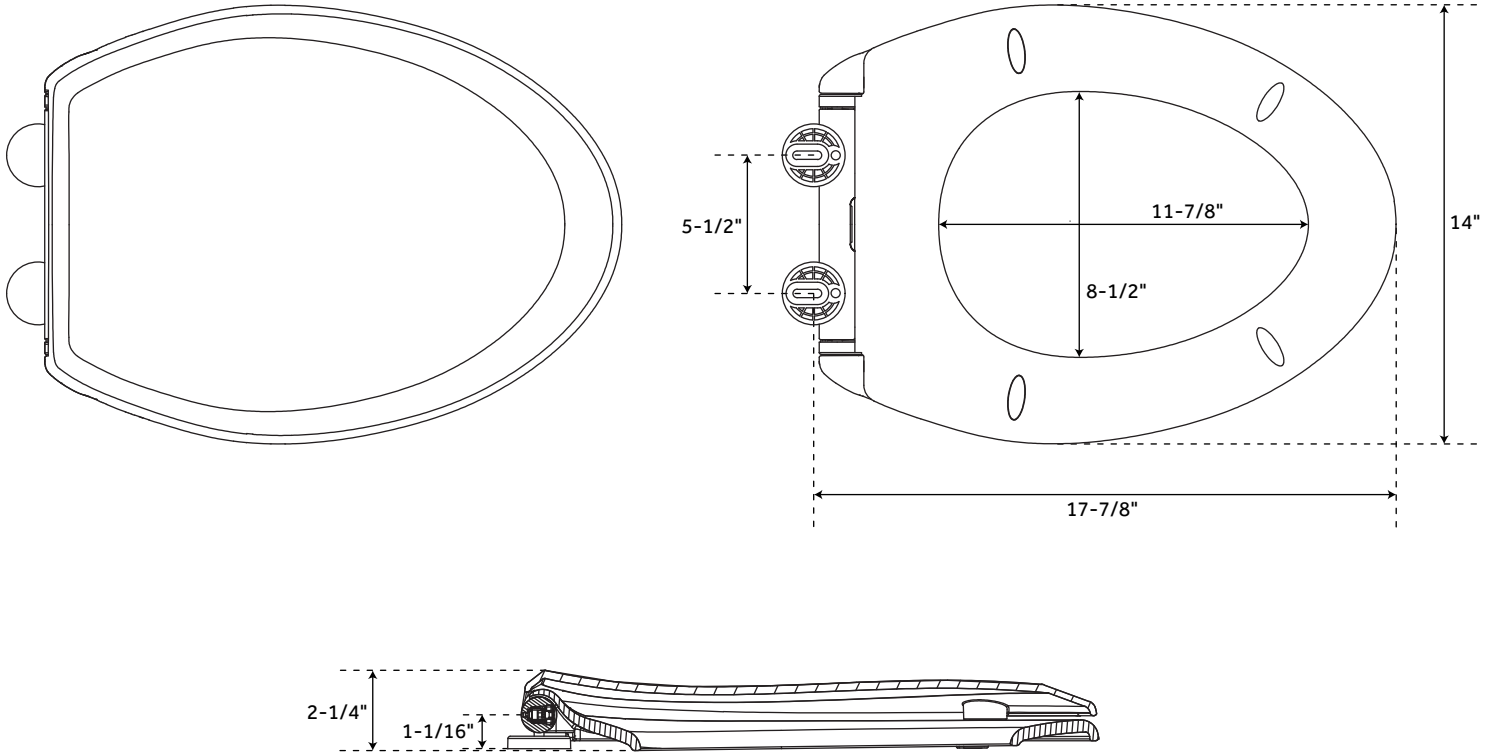


All dimensions and specifications are nominal and may vary. Use actual products for accuracy in critical situations.

PAGE 2
Codes: SHBD255WH, SHBD200WH, SHBD200RWH,
SHTSEZ200WH, SHBDS300WH

TRADITIONAL

ULTRA SLIM EASY CLEAN TOILET SEAT - ELONGATED BOWL



FEATURES

Bowl Shape: Elongated
Length: 14"
Width: 17-7/8"
Height: 2-1/4"

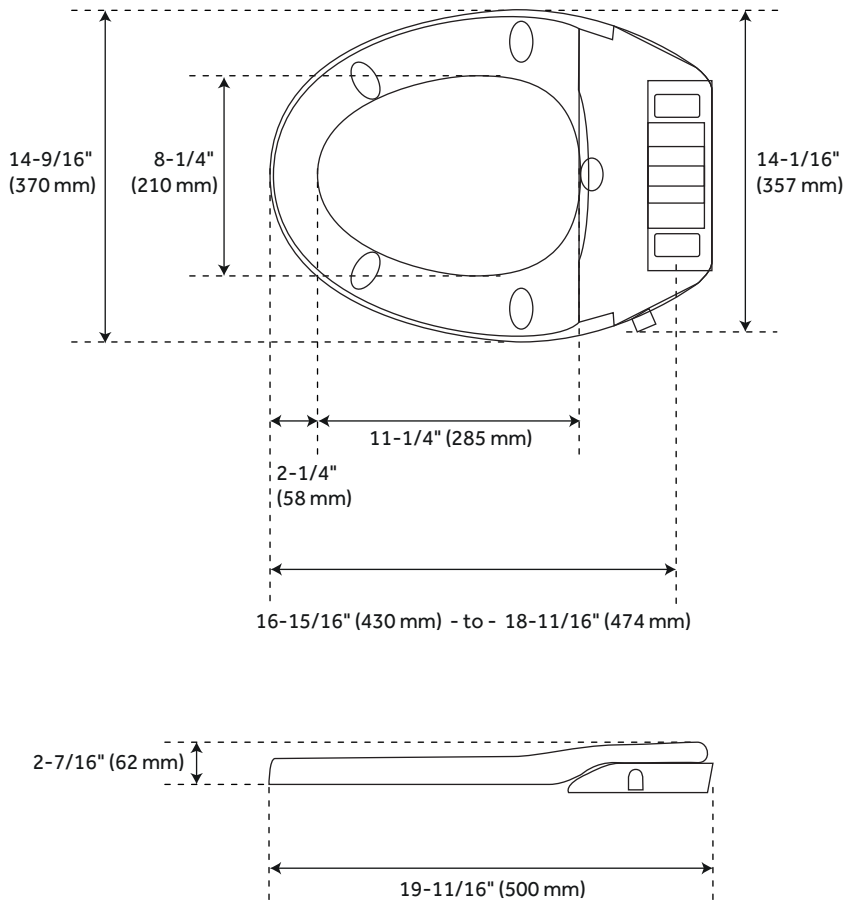
SIGNATURE HARDWARE LIFETIME WARRANTY

See website for warranty information



BROOKDALE

MANUAL BIDET SEAT - WHITE



FEATURES

Length: 19-11/16"
Width: 14-9/16"
Height: 2-7/16"

CODES/STANDARDS

cUPC
ASME A112.4.2/CSA B45.16
Massachusetts Accepted

PRODUCT IMAGE

