

GUNTHER PRESSURE BALANCE TUB AND SHOWER SET

SKU: 953360



CODES/STANDARDS

ASME A112.18.1/CSA B125.1

FEATURES

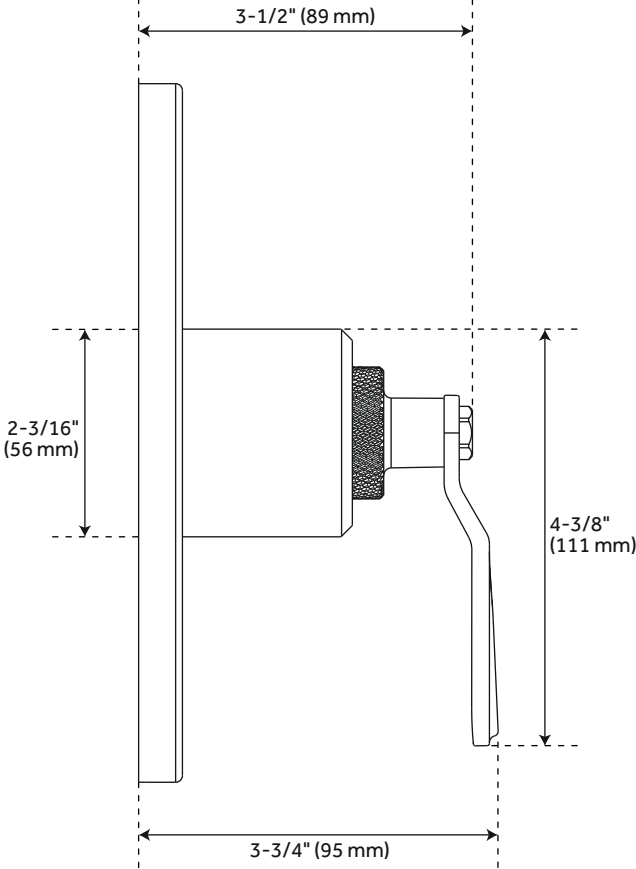
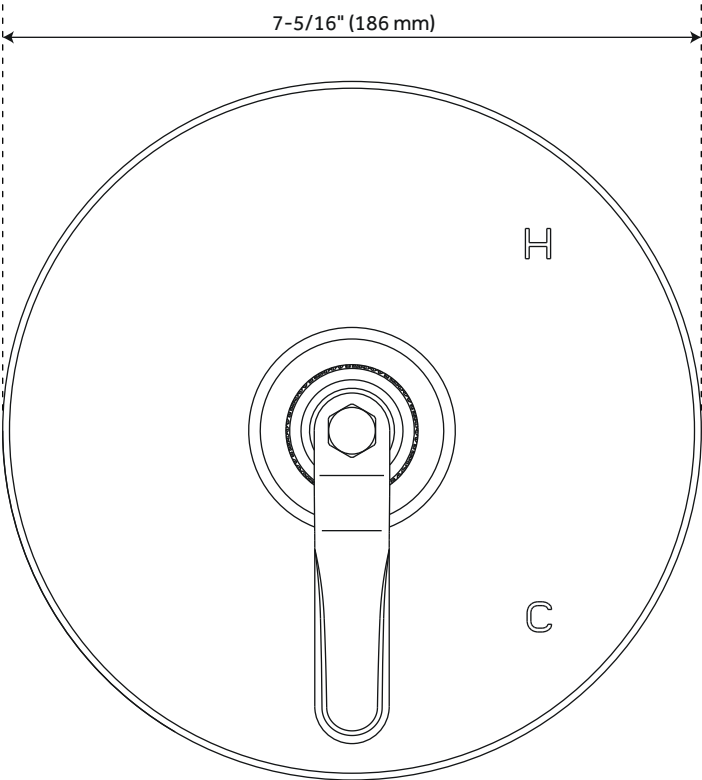
Features: Pressure-Balanced;Tub Spout Included
Design: Industrial
Material: Brass
Base Plate Height: 7-5/16"
Assembly Required: No
Shape: Round
Handle Type: Lever
Base Plate Width: 3-3/4"
Shower Head Installation Type: Wall
Number of Shower Heads: 1
Shower Head Diameter: 8"
Shower Arm Included: Yes
Shower Arm Extension: 12"
Shower Arm Height: 1-9/16"
Shower Head IPS: 1/2"
Shower Head Swivel: Yes
Tub Filler Spout Reach: 5"
Diverter Included: Yes
Diverter Outlets: 1
Shower Head Flow Rate: 1.8 gpm (6.8 l/min) @ 80 psi

Code:

REVISED 10/28/2021

GUNTHER PRESSURE BALANCE SHOWER VALVE TRIM

SKU: 953360

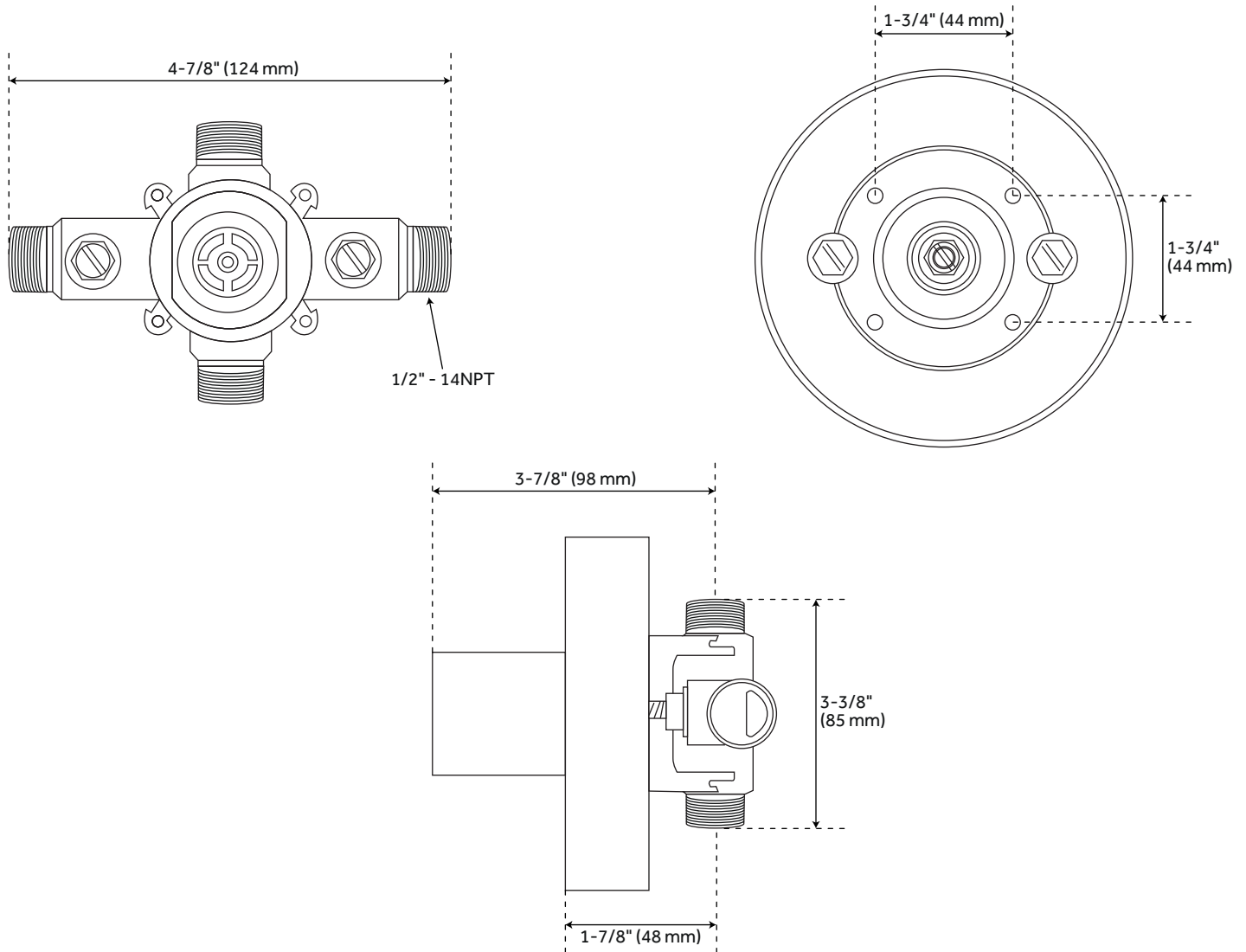


All dimensions and specifications are nominal and may vary. Use actual products for accuracy in critical situations.

Code: SHGU8010

GUNTHER OPTIONAL ROUGH-IN VALVE FOR PRESSURE BALANCE VALVE TRIM

SKU: 953360

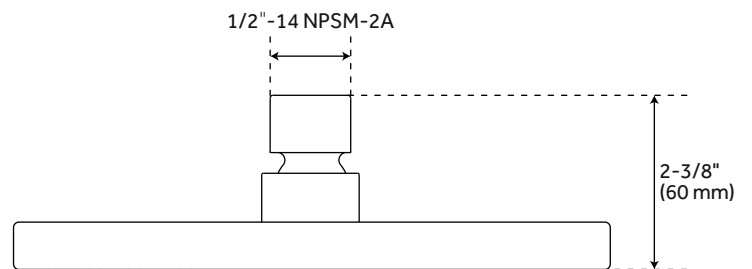
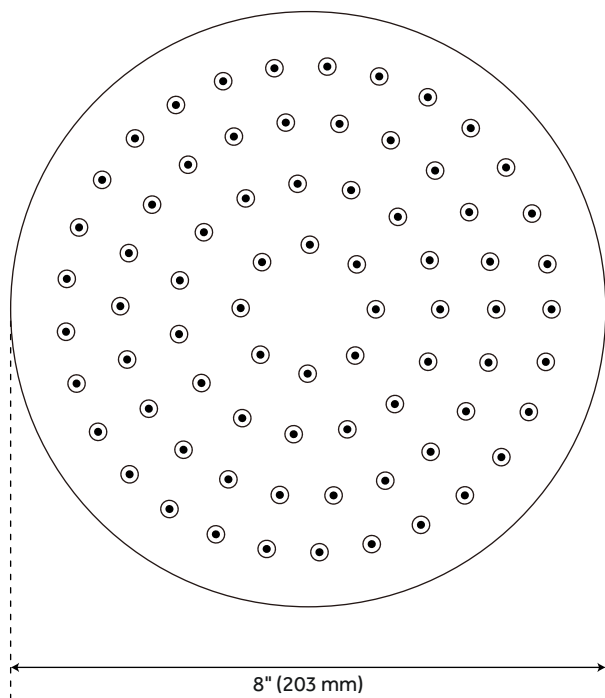


All dimensions and specifications are nominal and may vary. Use actual products for accuracy in critical situations.

Code: SH4001

GUNTHER WALL-MOUNT SHOWER HEAD

SKU: 953360

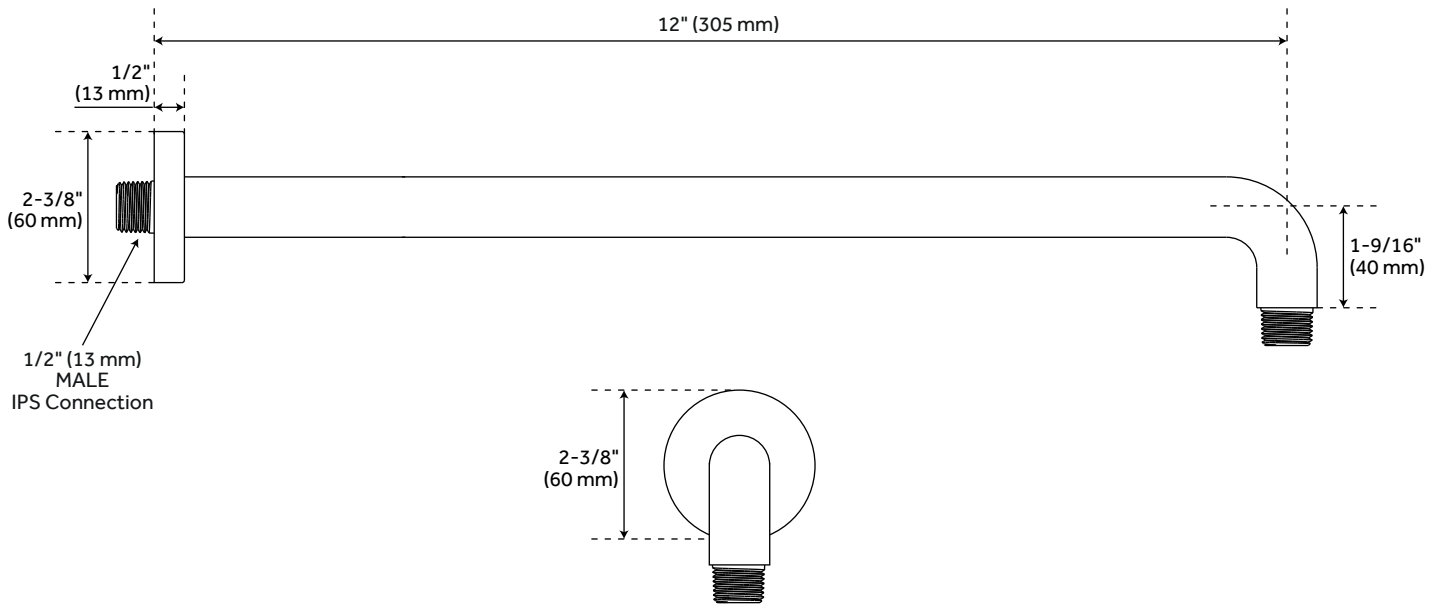


All dimensions and specifications are nominal and may vary. Use actual products for accuracy in critical situations.

Code: SHRSB820RG

GUNTHER WALL-MOUNT SHOWER ARM

SKU: 953360

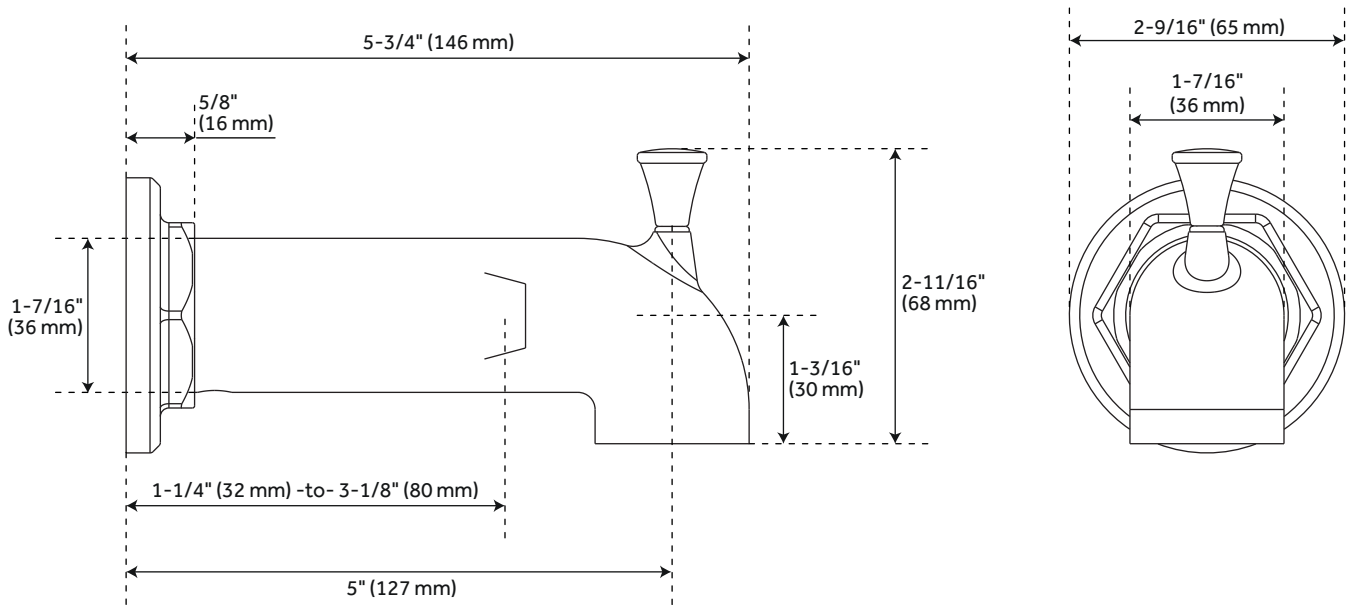


All dimensions and specifications are nominal and may vary. Use actual products for accuracy in critical situations.

Code: SHRSA120

GUNTHER TUB SPOUT WITH DIVERTER

SKU: 953360



All dimensions and specifications are nominal and may vary. Use actual products for accuracy in critical situations.

Code: SHTS70