

GOOSENECK

SHOWER CONVERSION KIT WITH HANDSHOWER

SKU: 953100



FEATURES

Handle Type: Porcelain Lever
Assembly Required: Yes
Showerhead Flow Rate: 1.8 gpm (6.8 L/min) @ 80psi
Shower Head Swivel: Yes
Hand Shower Material: Porcelain
Handshower Style: Telephone
Diverter Outlets: 3
Ceramic Disc Cartridges: Yes

SIGNATURE HARDWARE Lifetime Warranty

See website for detailed warranty information.

CONTENTS

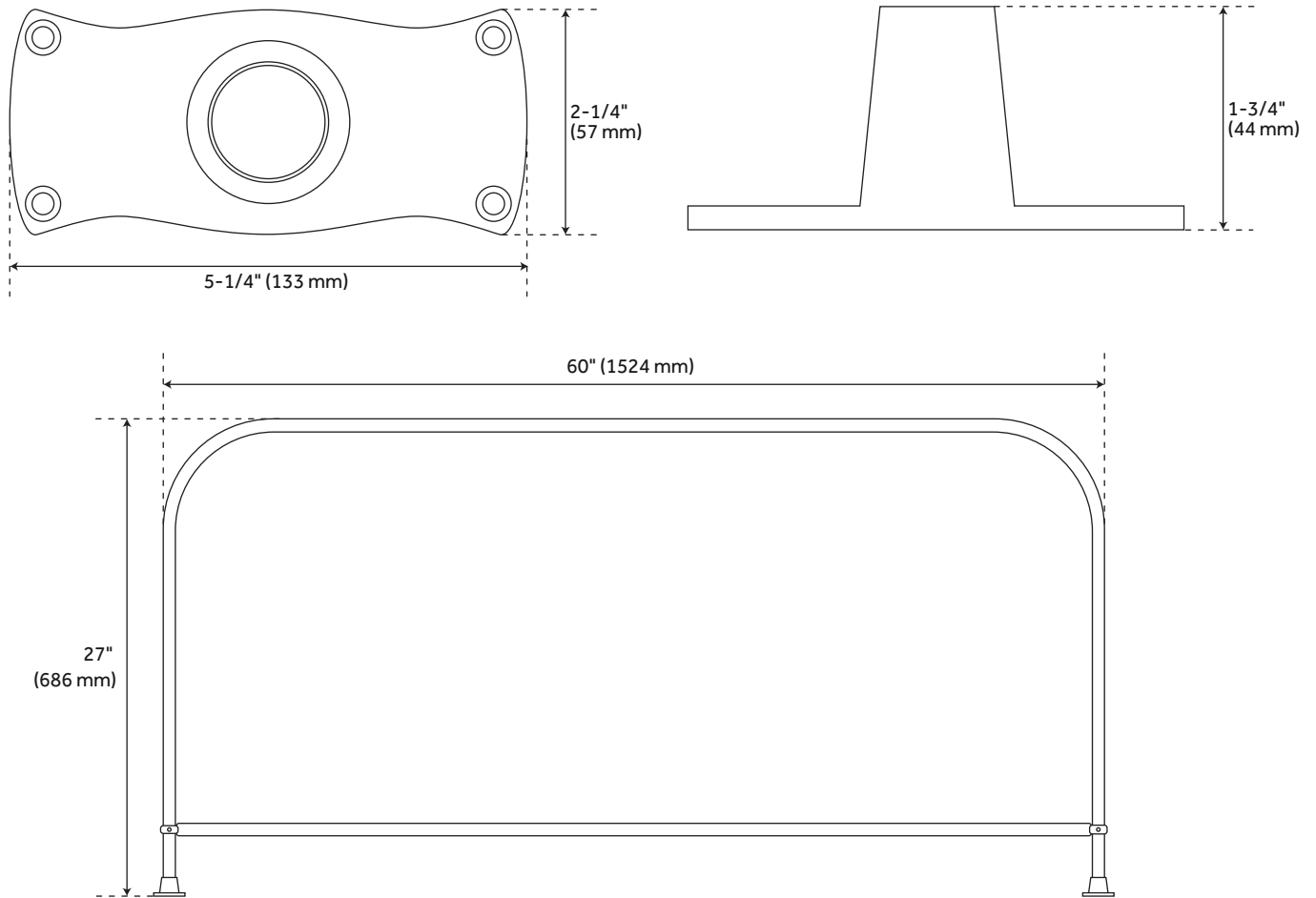
SHOWER RING	PAGE 2
HAND SHOWER	PAGE 3
TUB FAUCET	PAGE 4
SHOWER HEAD	PAGE 5
RISER PIPE	PAGE 6
RISER HOLDER	PAGE 7

REVISED 10/11/2021

SHOWER ROD

D-SHAPED SOLID BRASS SHOWER CURTAIN ROD

SKU: 953100



FEATURES

- Material: Brass
- Metal Thickness: .6mm
- Length: 60"
- Width: 27"
- Ceiling Supports can be Cut to Length
- Installation Type: Ceiling & Wall

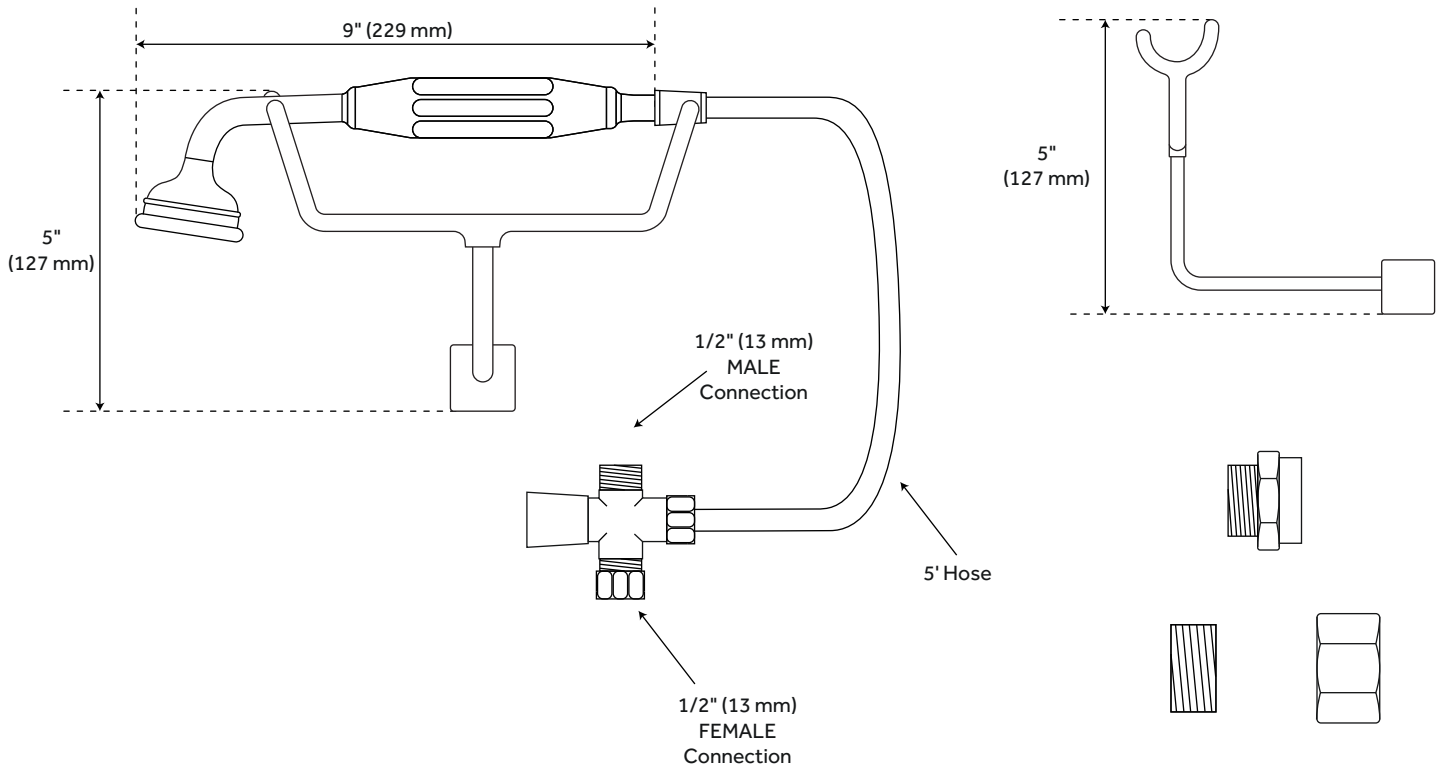
PRODUCT IMAGE



HAND-HELD

SHOWER CONVERSION KIT

SKU: 953100



FEATURES

Material: Brass
Features: Hand Shower Included
Assembly Required: No
Hand Shower Hose Length: 60"
Hand Shower Material: Brass
Flow Rate: 1.8 GPM @ 80 psi

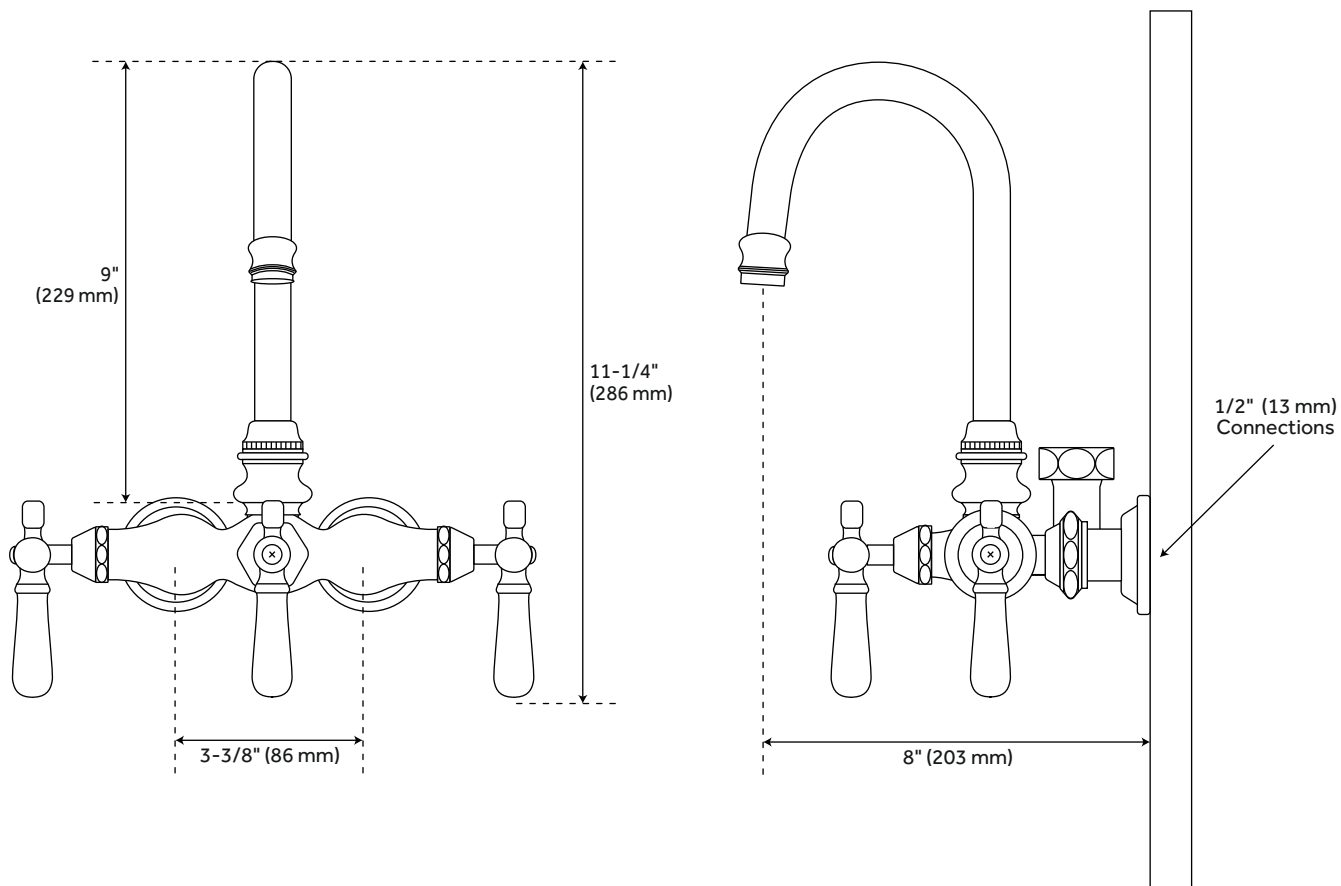
PRODUCT IMAGE



GOOSENECK

LEG TUB DIVERTER VALVE

SKU: 953100



FEATURES

Faucet Centers: 3-3/8"
Height: 11-1/4"
Spout Height: 9"
Spout Reach: 8"
Material: Brass
Installation Type: Tub Wallmount
Tub Spout Flow Rate: 6.8 GPM
@ 80 psi

CODES/STANDARDS

cUPC
ASME A112.18.1/CSA B125.1

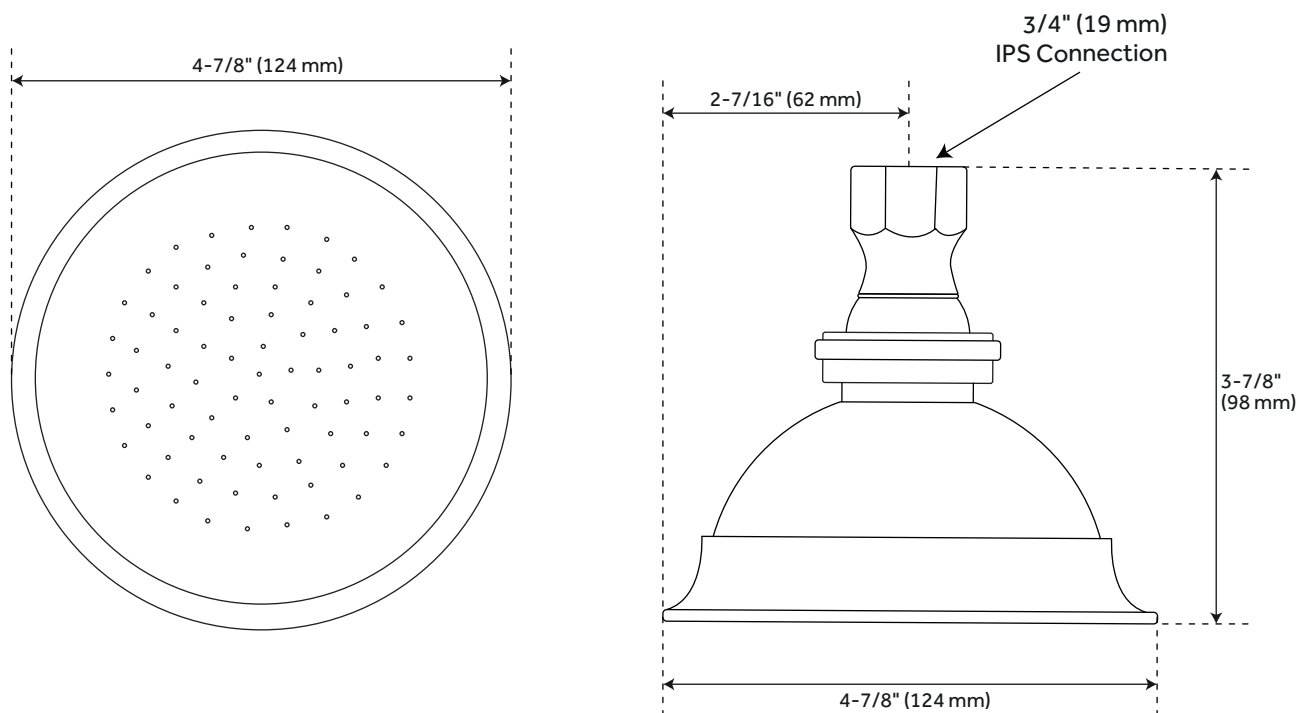
PRODUCT IMAGE



WINDOM

WATERING CAN SHOWER HEAD

SKU: 953100



FEATURES

Height: 3-7/8"
Shower Head Diameter: 4-7/8"
Shower Head IPS: 1/2"
Material: Brass
Flow Rate: 1.8 GPM @ 80 psi

CODES/STANDARDS

cUPC
ASME A112.18.1/CSA B125.1

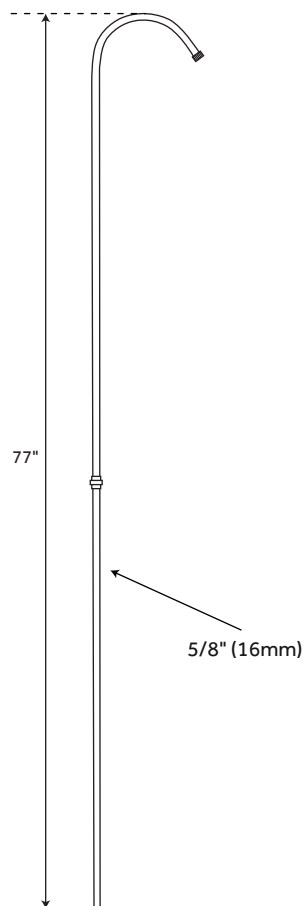
PRODUCT IMAGE



RISER PIPE

5/8" OD X 77" HIGH SHOWER RISER PIPE

SKU: 953100



FEATURES

Height: 77"
OD Diameter: 5/8"
IPS: 1/2"
Can be Cut to Length
Material: Brass

PRODUCT IMAGE



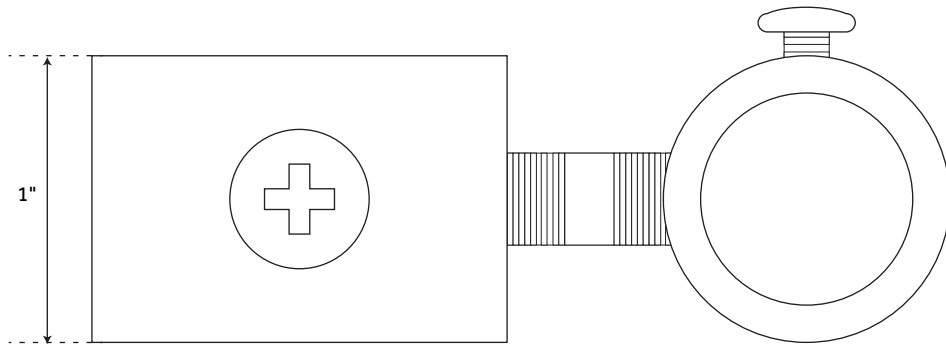
PAGE 6

All dimensions and specifications are nominal and may vary. Use actual products for accuracy in critical situations.

ADJUSTABLE

DOUBLE RINGLET RISER HOLDER

SKU: 953100



FEATURES

- 1" Diameter Shower Rod:
 - 3/8" IPS (5/8" OD) Riser Piping
 - 1" Diameter Shower Rod
 - 1/2" IPS (3/4" OD) Riser Piping
- Material: Brass

PRODUCT IMAGE



PAGE 7

All dimensions and specifications are nominal and may vary. Use actual products for accuracy in critical situations.