

CARIBANA

KITCHEN FAUCET WITH SPRING SPOUT

SKU: 950738



FEATURES

- Installation Type: Deck Mount
- Hand Sprayer Material: ABS
- Faucet Centers: Single-Hole
- Handle Type: Lever
- Design: Traditional
- Faucet Material: Brass
- Swivel Spout: Yes
- Ceramic Disc Cartridges: Yes
- Hot and Cold Indicators: No
- Drain Included: No
- 2-Function Sprayer Stream: Spray, Aerated
- Deck Plate Can be Used to Hide Holes When Retrofitting From a Widespread Faucet
- Pull-Down Sprayer Hose

CONTENTS

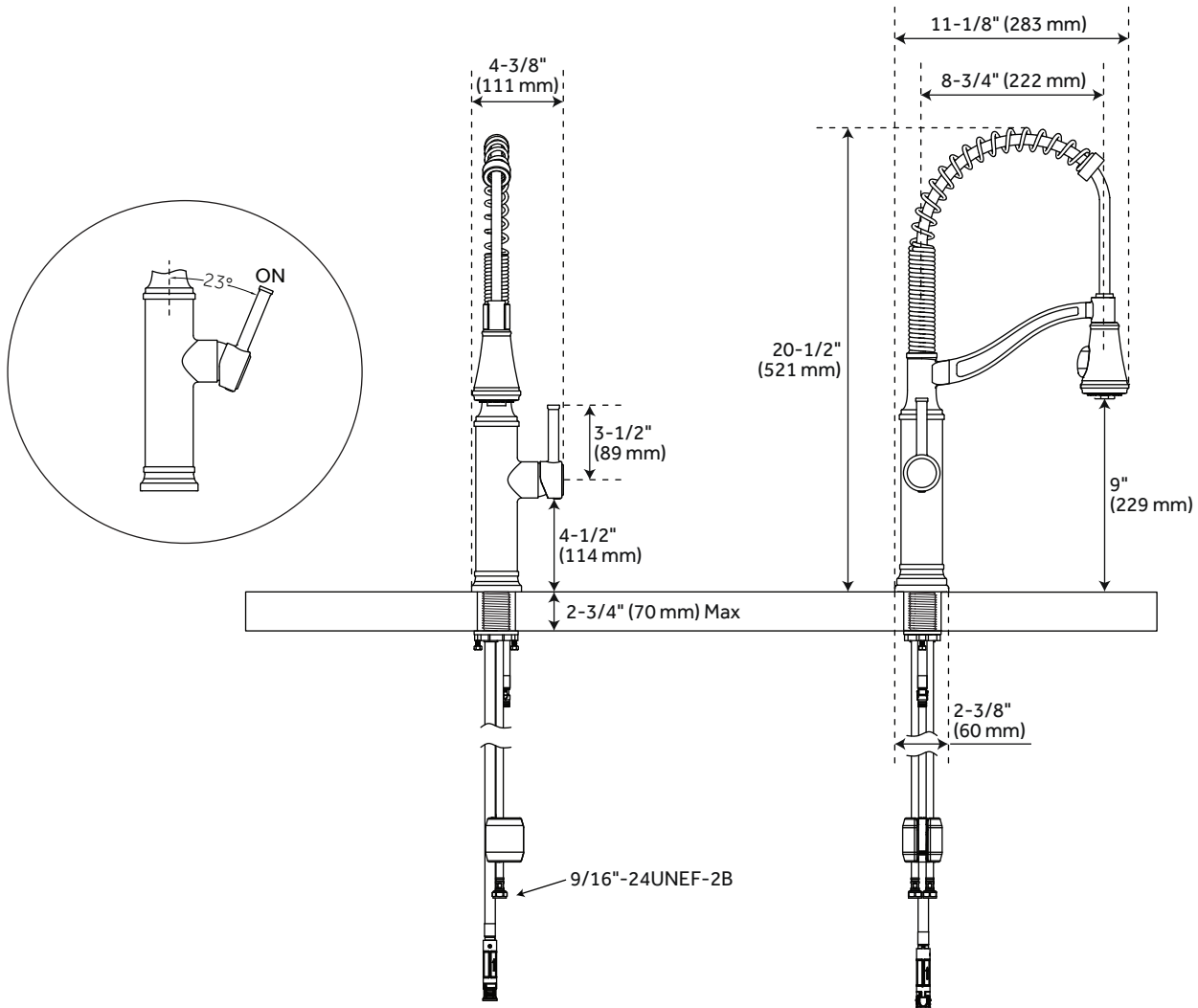
FAUCET	PAGE 2
FAUCET WITH DECK PLATE	PAGE 3

REVISED 04/16/2021

CARIBANA

KITCHEN FAUCET WITH SPRING SPOUT

SKU: 950738



FEATURES

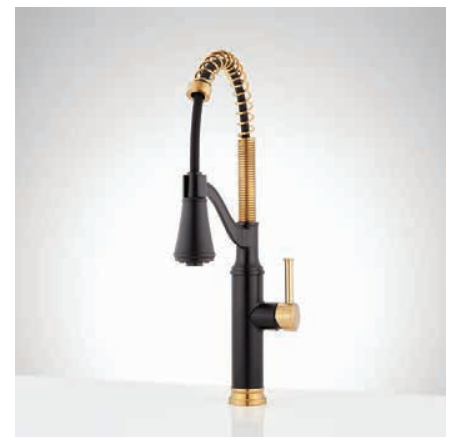
- Max. Countertop Thickness: 2-3/4"
- Length: 4-3/8"
- Width: 11-1/8"
- Height: 20-1/2"
- Height to Spout: 9"
- Spout Reach: 8-3/4"
- Base Plate Length: 2-3/8"
- Base Plate Width: 2-3/8"
- Handle Length: 3-1/2"
- Height to Bottom of Handle: 4-1/2"
- Connection: 9/16" IPS
- Maximum Flow Rate:
1.75 gpm (6.6 L/min) @ max 60 psi

CODES/STANDARDS

- cUPC
- ASME A112.18.1/CSA B125.1
- ICC/ANSI A117.1 (when installed
according to ADA standards)
- NSF/ANSI 61
- NSF/ANSI 372
- CEC Listed
- CALGreen



PRODUCT IMAGE



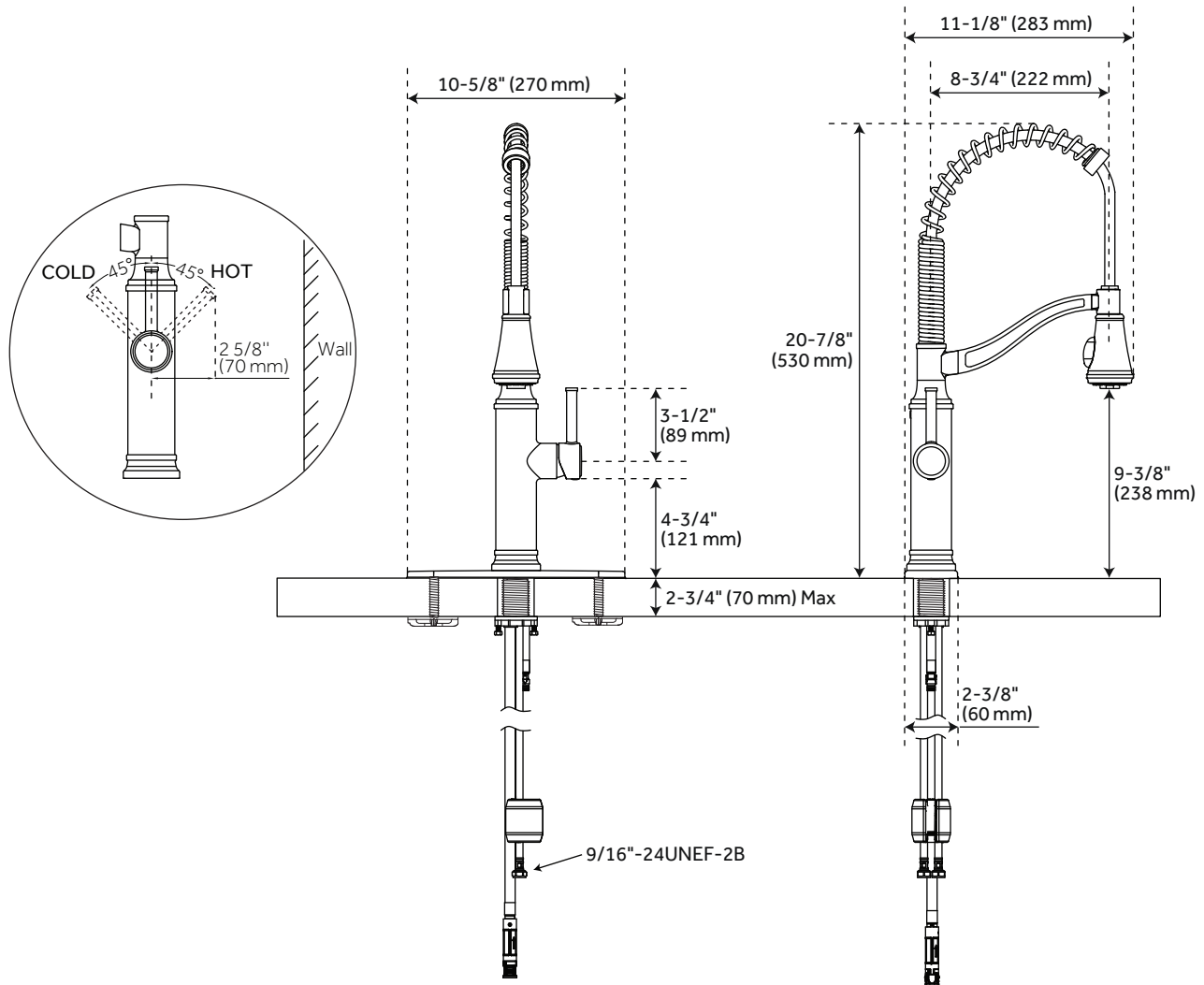
All dimensions and specifications are nominal and may vary. Use actual products for accuracy in critical situations.

PAGE 2
Code: SHXCCB100

CARIBANA

KITCHEN FAUCET WITH SPRING SPOUT WITH DECK PLATE

SKU: 950738



FEATURES

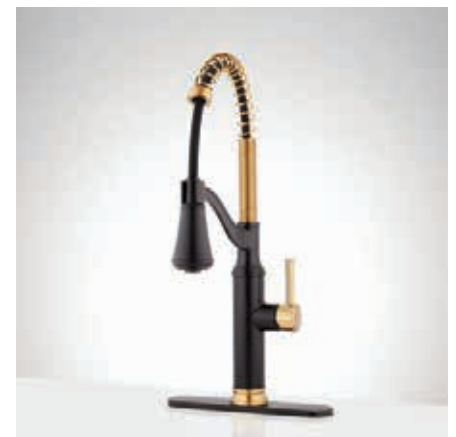
- Max. Countertop Thickness: 2-3/4"
- Length: 10-5/8"
- Width: 11-1/8"
- Height: 20-7/8"
- Height To Spout: 9-3/8"
- Spout Reach: 8-3/4"
- Base Plate Length: 10-5/8"
- Base Plate Width: 2-3/8"
- Handle Length: 3-1/2"
- Height to Bottom of Handle: 4-3/4"
- Connection: 9/16" IPS
- Maximum Flow Rate:
1.75 gpm (6.6 L/min) @ max 60 psi

CODES/STANDARDS

- cUPC
- ASME A112.18.1/CSA B125.1
- ICC/ANSI A117.1 (when installed
according to ADA standards)
- NSF/ANSI 61
- NSF/ANSI 372
- CEC Listed
- CALGreen



PRODUCT IMAGE



All dimensions and specifications are nominal and may vary. Use actual products for accuracy in critical situations.

PAGE 3
Code: SHXCCB100