

# 60" KARL

## TOP-MOUNT BARN DOOR HARDWARE KIT

SKU: 950678



### FEATURES

For doors up to 30" wide.

Roller Wheel - 3-1/4" Diameter.

Steel 2-1/2" diameter roller bearings.

Track Size: 1/4" Steel, 1-1/2" x 60".

Strap Size: 1/4" Steel, 6" x 1".

Optional Soft Close Adapter:

For use with flat rails.

Steel construction for long lasting durability.

Keeps door from slamming when opening and closing.

Installs concealed behind the rail.

Soft close kit includes:

Low profile soft close adapter left hand (1).

Low profile soft close adapter right hand (1).

Low profile soft close trigger (2).

Trigger screws (6).

Cone-point set screws (8).

Allen wrench for set screws (1).

Width: 12-11/16".

Depth: 1-1/4".

Height: 1-1/8".

### CONTENTS

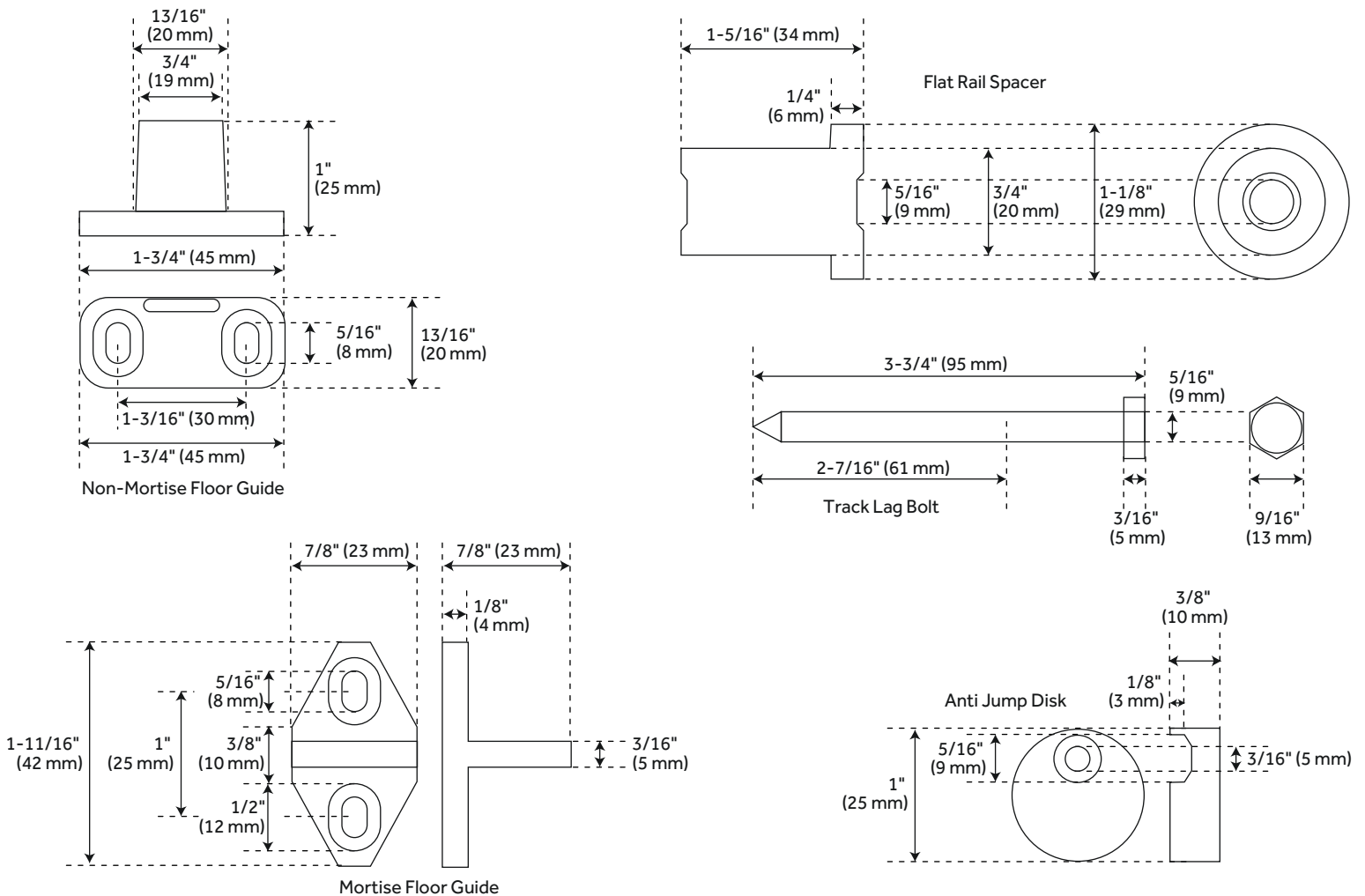
NON-MORTISE FLOOR GUIDE .....	PAGE 2
MORTISE FLOOR GUIDE .....	PAGE 2
FLAT RAIL SPACER .....	PAGE 2
TRACK LAG BOLT .....	PAGE 2
ANTI-JUMP BOLT .....	PAGE 2
FLAT RAIL .....	PAGE 3
BEARING WHEEL HANGER .....	PAGE 3
FLAT RAIL STOP .....	PAGE 3

REVISED 10/09/2020

# 60" KARL

## TOP-MOUNT BARN DOOR HARDWARE KIT

SKU: 950678



### FEATURES

- Material: Stainless Steel
- Design: Modern
- Length: 60"
- Height: 6-1/8"
- Depth: 1-3/8"
- Mounting Hardware Included: Yes
- Mounting Hardware Concealed: No
- Weight Limit (Lbs): 220

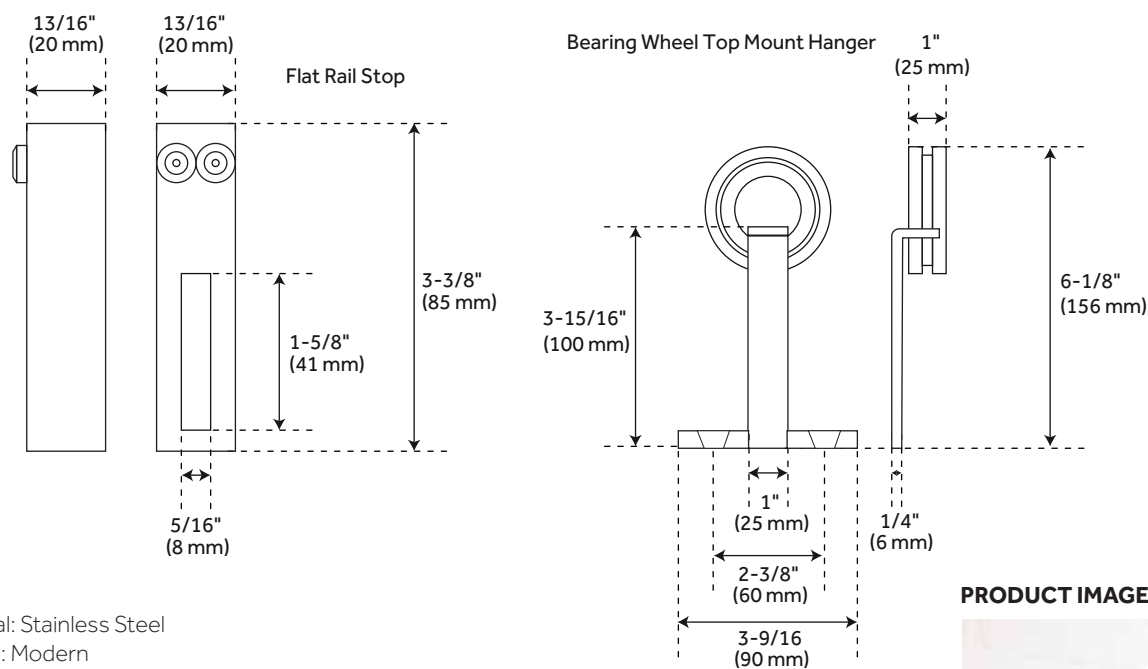
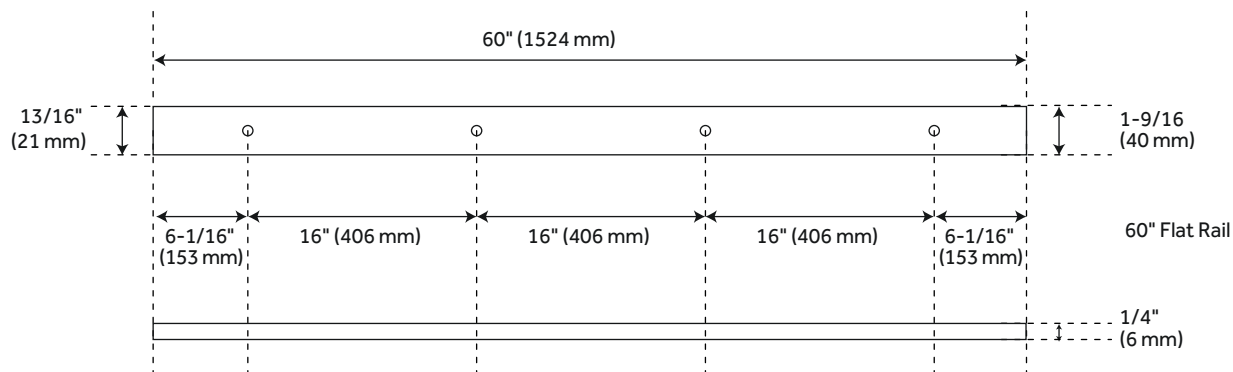
### PRODUCT IMAGE



# 60" KARL

## TOP-MOUNT BARN DOOR HARDWARE KIT

SKU: 950678



### FEATURES

- Material: Stainless Steel
- Design: Modern
- Length: 60"
- Height: 6-1/8"
- Depth: 1-3/8"
- Mounting Hardware Included: Yes
- Mounting Hardware Concealed: No
- Weight Limit (Lbs): 220

### PRODUCT IMAGE

