

78" HAL

BARN DOOR HARDWARE KIT

SKU: 950668



FEATURES

For doors up to 36" wide.

Wheel: 2-3/4" diameter.

Steel 1-1/4" diameter roller bearings.

Track Size: 1/4" steel, 1-1/2" x 78-3/4".

Strap Size: 1/4" Steel, 11-1/2" x 1-1/2".

Optional Soft Close Adapter:

For use with flat rails.

Steel construction for long lasting durability.

Keeps door from slamming when opening and closing.

Installs concealed behind the rail.

Soft close kit includes:

Low profile soft close adapter left hand (1).

Low profile soft close adapter right hand (1).

Low profile soft close trigger (2).

Trigger screws (6).

Cone-point set screws (8).

Allen wrench for set screws (1).

Width: 12-11/16".

Depth: 1-1/4".

Height: 1-1/8".

CONTENTS

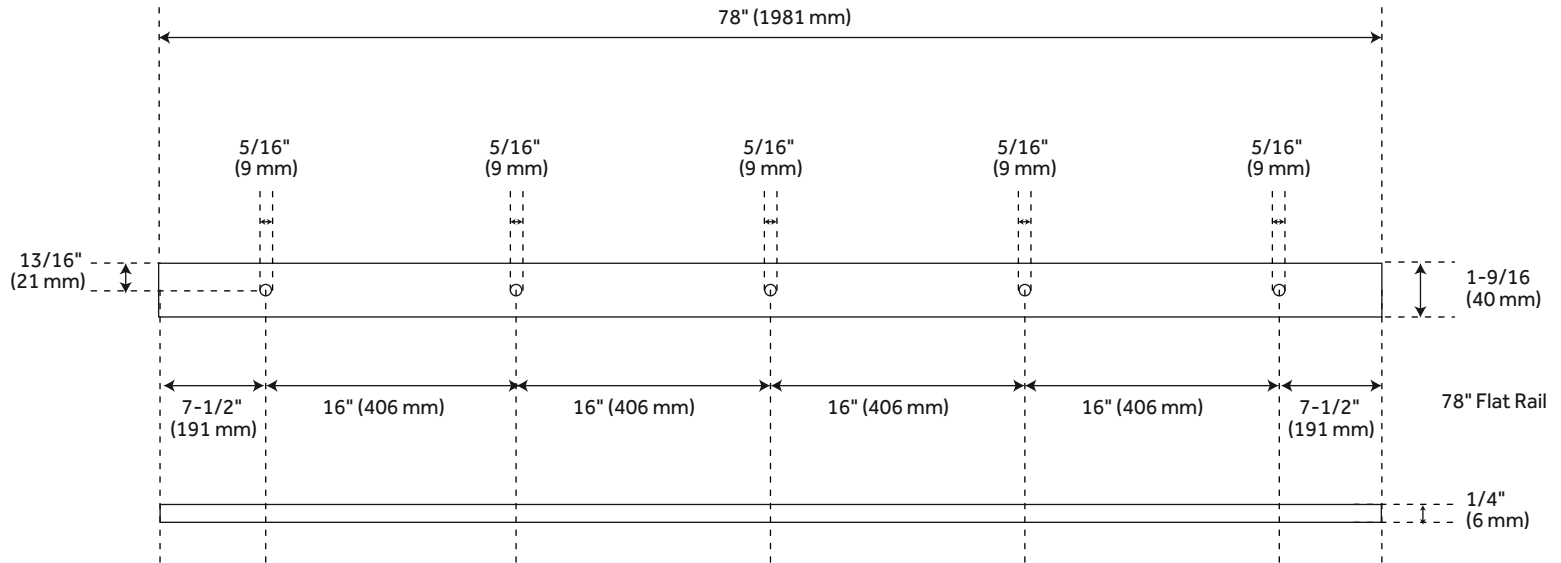
FLAT RAIL	PAGE 2
STANDARD WHEEL	PAGE 3
BENT STRAP HANGER	PAGE 3
MORTISE FLOOR GUIDE	PAGE 3
NON-MORTISE FLOOR GUIDE	PAGE 3
TRACK LAG BOLT	PAGE 4
FLAT RAIL SPACER	PAGE 4
FLAT RAIL STOP	PAGE 4
ANTI JUMP DISK	PAGE 4

REVISED 10/12/2020

78" HAL

BARN DOOR HARDWARE KIT

SKU: 950668



FEATURES

- Material: Stainless Steel
- Design: Modern
- Length: 78"
- Height: 1-1/2"
- Depth: 1-1/2"
- Mounting Hardware Included: Yes
- Mounting Hardware Concealed: No
- Weight Limit (Lbs): 220

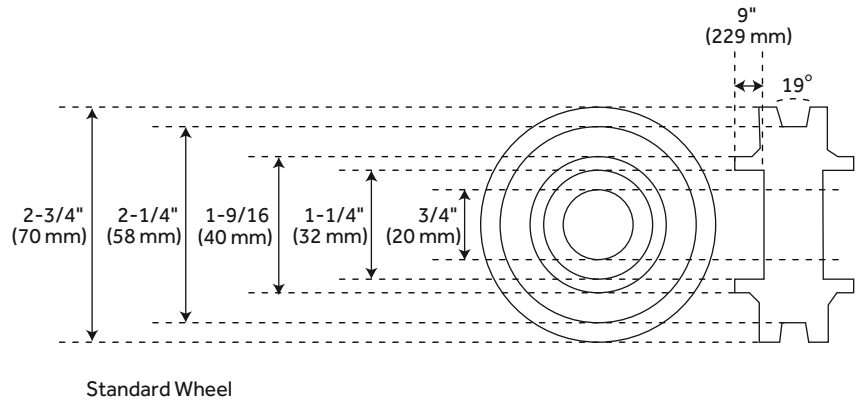
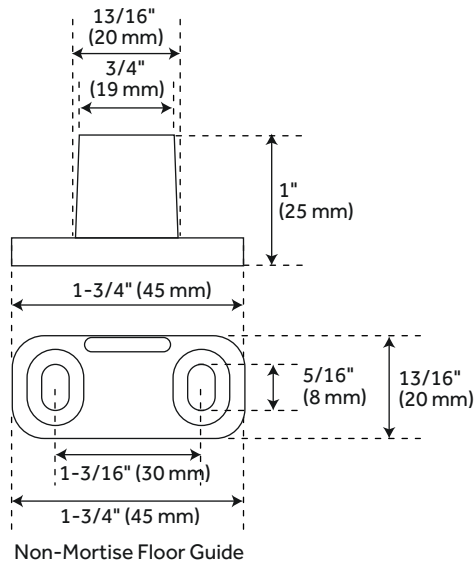
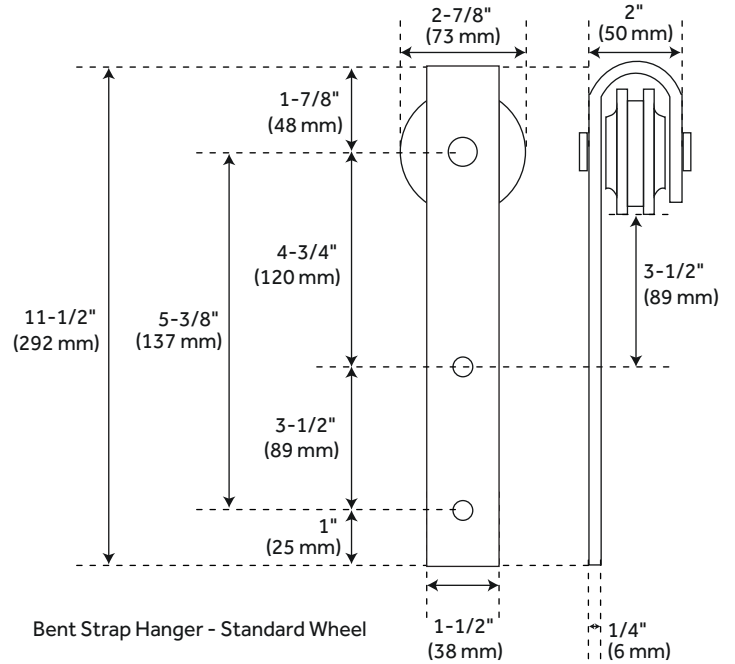
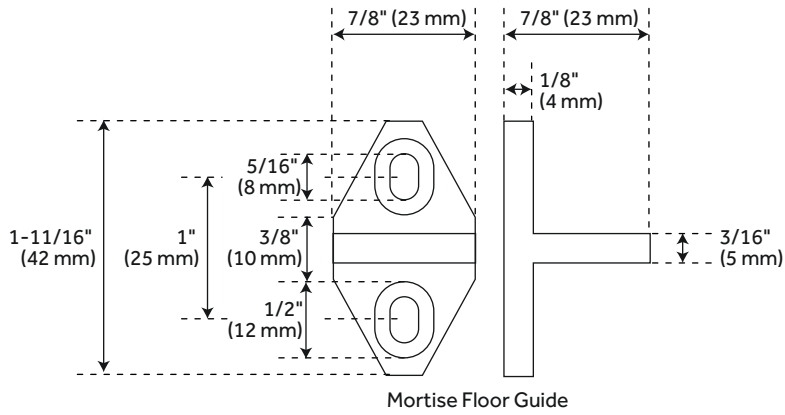
PRODUCT IMAGE



78" HAL

BARN DOOR HARDWARE KIT

SKU: 950668



FEATURES

- Material: Stainless Steel
- Design: Modern
- Length: 78"
- Height: 11-1/2"
- Depth: 1-1/2"
- Mounting Hardware Included: Yes
- Mounting Hardware Concealed: No
- Weight Limit (Lbs): 220

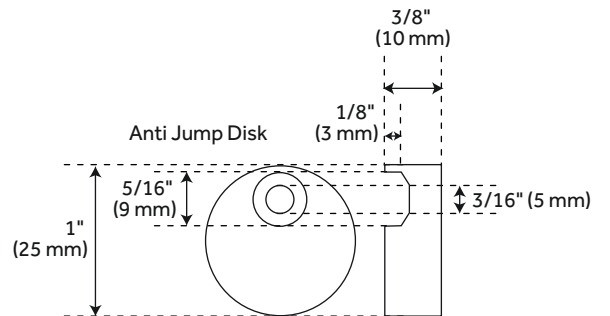
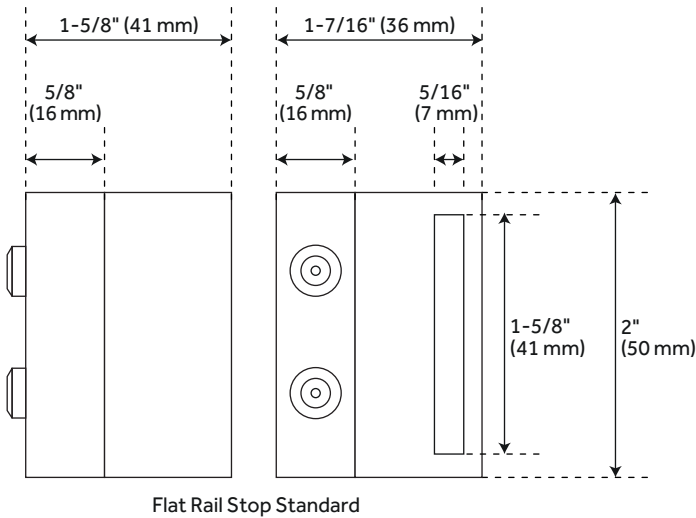
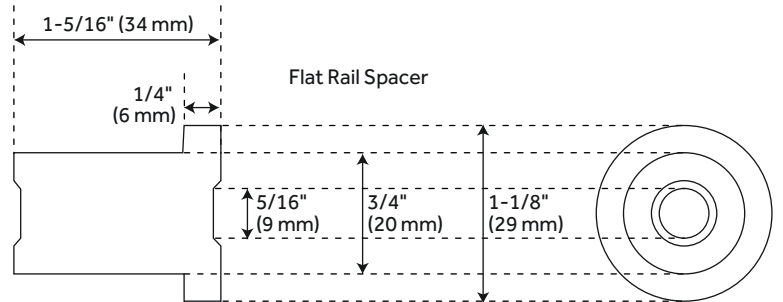
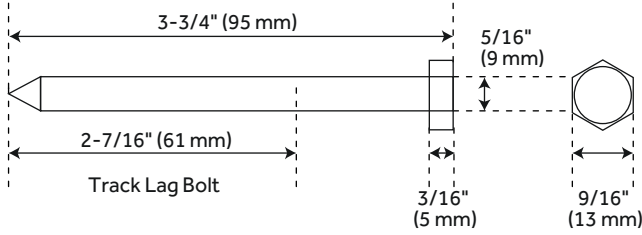
PRODUCT IMAGE



78" HAL

BARN DOOR HARDWARE KIT

SKU: 950668



FEATURES

- Material: Stainless Steel
- Design: Modern
- Length: 78"
- Height: 11-1/2"
- Depth: 1-1/2"
- Mounting Hardware Included: Yes
- Mounting Hardware Concealed: No
- Weight Limit (Lbs): 220

PRODUCT IMAGE

