

BEASLEY

SINGLE-HOLE PULL-OUT KITCHEN FAUCET WITH DECK PLATE

SKU: 949844



FEATURES

Installation Type: Single-Hole
Faucet Holes: 1
Faucet Centers: Single-Hole
Handle Type: Lever
Features: Deck Plate, Pull-Down
Design: Traditional
Faucet Material: Brass
Swivel Spout: Yes
Ceramic Disc Cartridges: Yes
Hot and Cold Indicators: No
Drain Included: No
Maximum Flow Rate: 1.75 gpm (6.6L/min)
max @ 60 psi
Aerated Stream and Spray

CONTENTS

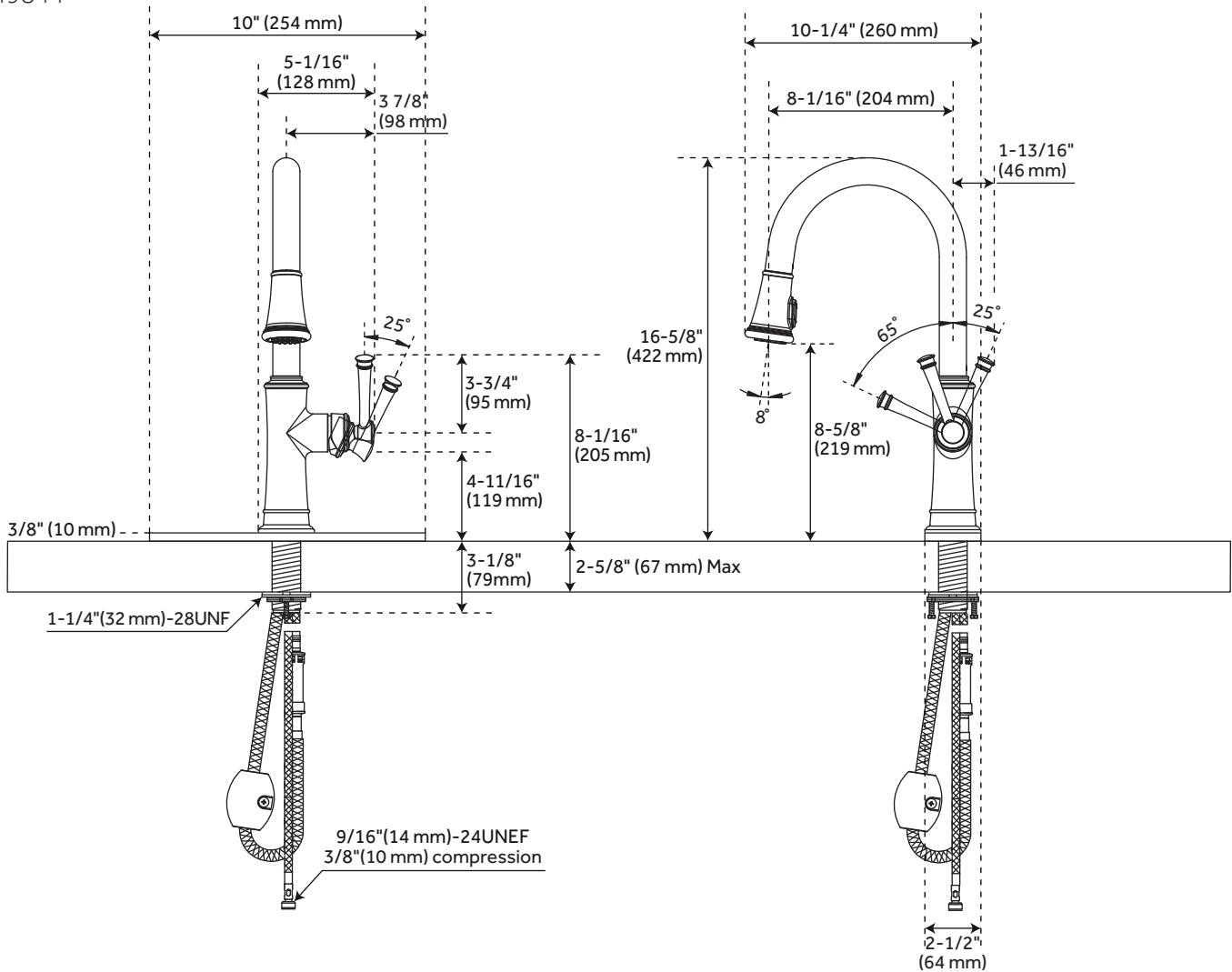
KITCHEN SINK FAUCET PAGE 2

REVISED 07/08/2020

BEASLEY

SINGLE-HOLE PULL-OUT KITCHEN FAUCET WITH DECK PLATE

SKU: 949844



FEATURES

Length: 10"
 Width: 10-1/4"
 Height: 16-5/8"
 Height To Spout: 8-5/8"
 Spout Reach: 8-1/16"
 Base Plate Length: 10"
 Base Plate Width: 2-1/2"
 Handle Length: 3-3/4"
 Height to Bottom of Handle: 4-11/16"

CODES/STANDARDS

cUPC
 ASME A112.18.1/CSA B125.1
 NSF/ANSI 61
 NSF/ANSI 372
 CEC Listed
 CALGreen
 Massachusetts Accepted

PRODUCT IMAGE



All dimensions and specifications are nominal and may vary. Use actual products for accuracy in critical situations.

PAGE 2
 Code: SHXCBE102