

# PROVINCETOWN

## SIMPLE SELECT SHOWER SYSTEM WITH RAINFALL SHOWER AND HAND SHOWER

SKU: 949733



### FEATURES

Dual functionality allows for one or both shower features to run at a time.

Single function shower head (full spray) with easy-clean silicone nozzles.

5 function handshower (full spray, massage spray, aerated spray full & massage spray and full & aerated).

Optional rough-in valve

### SIGNATURE HARDWARE Lifetime Warranty

See website for detailed warranty information.

### CONTENTS

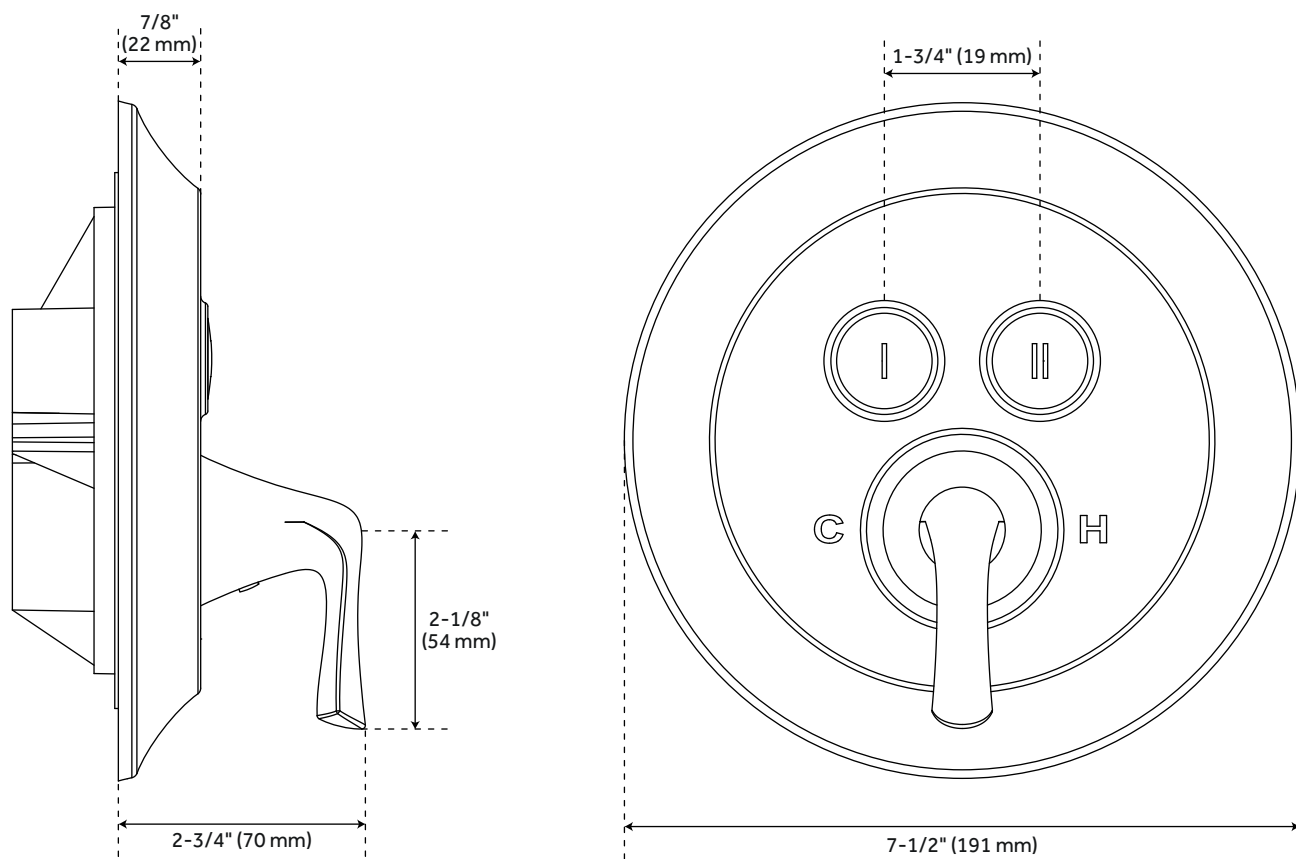
VALVE TRIM	.....	PAGE 2
ROUGH-IN VALVE	.....	PAGE 3
SHOWER HEAD	.....	PAGE 4
SHOWER ARM	.....	PAGE 5
SLIDE BAR	.....	PAGE 6
HAND SHOWER	.....	PAGE 7

REVISED 09/15/2020

# PROVINCETOWN

## SIMPLE SELECT TRIM

SKU: 948975



### FEATURES

Material: Brass  
Diameter: 7-1/2"  
Depth: 2-3/4"  
NPT Connection: 1/2"

### CODES/STANDARDS

cUPC  
ASME A112.18.1/CSA B125.1  
ICC/ANSI A117.1 (when installed  
according to ADA standards)  
Massachusetts Accepted

### SIGNATURE HARDWARE LIFETIME WARRANTY

See website for warranty information



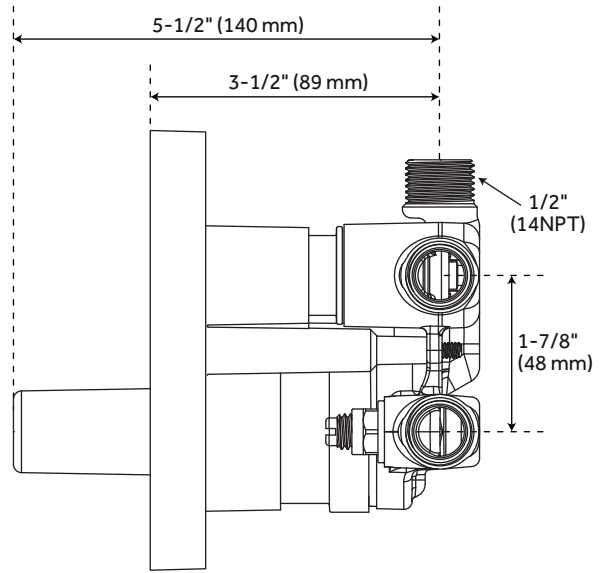
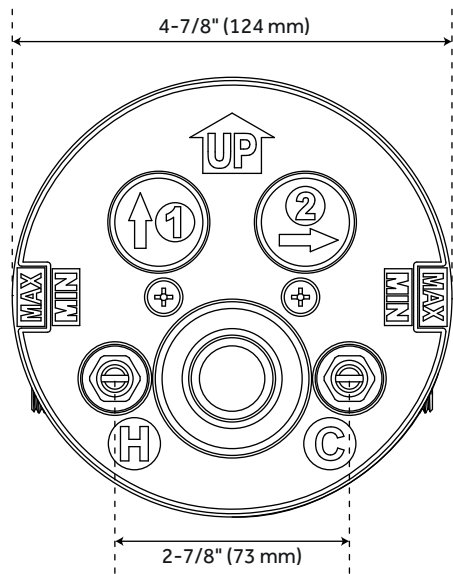
All dimensions and specifications are nominal and may vary. Use actual products for accuracy in critical situations.

PAGE 2  
Code: SHPR8040

# PROVINCETOWN

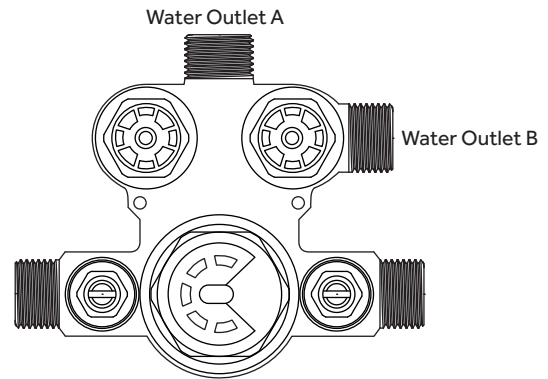
## PRESSURE BALANCE ROUGH-IN VALVE FOR SIMPLE SELECT TRIMS

SKU: 448566



PAGE 3

Pressure (PSI)		20	40	60	80
Simultaneous (Both Valves Open)	Total (GPM)	3.4	5	6.3	7.4
	Outlet A (GPM)	1.2	2.2	2.9	3.5
	Outlet B (GPM)	2.2	2.8	3.4	3.9
Separate (A or B Closed)	Outlet A (GPM)	2.5	3.9	4.8	5.5
	Outlet B (GPM)	2.5	3.9	4.8	5.5



### FEATURES

- Material: Bronze
- Length: 4-7/8"
- Width: 4-3/8"
- Depth: 5-1/2"
- Features: Pressure-Balanced
- NPT Connection: 1/2"
- Dual Functionality Allows For One or Both Shower Features to Run at a Time
- Pressure Balanced With Integral Stops
- One-Piece Cartridge Design For Ease of Maintenance
- Back-to-Back Capability
- Adjustable Temperature Limit Stop
- Quick Remove Plaster Guard
- Easy Mounting Brackets
- Compatible With Greyfield, Hibiscus, Pinecrest, Provincetown, Pendleton and Vilamonte Simple Select Trims

### CODES/STANDARDS

- cUPC
- ASME A112.18.1/CSA B125.1
- ASSE 1016 Type P



### SIGNATURE HARDWARE LIFETIME WARRANTY

See website for warranty information



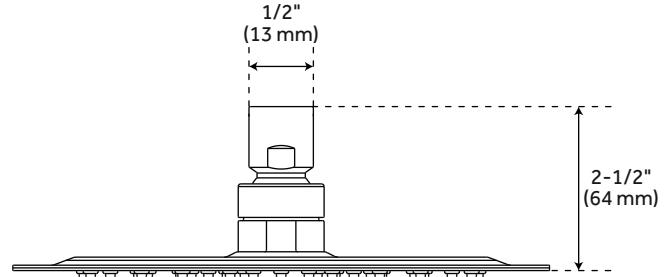
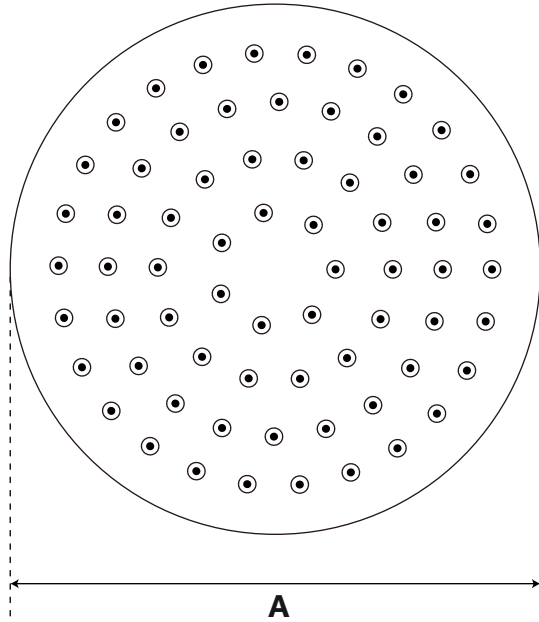
PAGE 3  
Code: SH5001SS

All dimensions and specifications are nominal and may vary. Use actual products for accuracy in critical situations.

# PROVINCETOWN

## CONTEMPORARY LOW PROFILE RAINFALL SHOWER HEAD

SKU: 948945



Product Code	Reference A	Max Flow-Rate
SHRS820RG	8" (203 mm)	1.8 gpm (6.8L/min) max @ 80 psi
SHRS825R	8" (203 mm)	2.5 gpm (9.5L/min) max @ 80 psi
SHRS1020RG	10" (254 mm)	1.8 gpm (6.8L/min) max @ 80 psi
SHRS1025R	10" (254 mm)	2.5 gpm (9.5L/min) max @ 80 psi
SHRS1225R	12" (305 mm)	2.5 gpm (9.5L/min) max @ 80 psi

### FEATURES

- Shape: Round
- Material: Stainless Steel
- Features: Shower Head Only
- Height: 2-1/2"
- Shower Head Spray: Rainfall
- Shower Head Swivel: Yes
- Single Function Shower Head (Full Spray)
- Easy Clean Silicon Nozzles
- Brass Ball Joint
- IPS: 1/2"

### CODES/STANDARDS

SHRS820RG/SHRS1020RG  
 cCSAus  
 ASME A112.18.1/CSA B125.1  
 WaterSense  
 CEC Listed  
 Massachusetts Accepted



SHRS825R/SHRS1025R/SHRS1225R  
 cCSAus  
 ASME A112.18.1/CSA B125.1  
 Massachusetts Accepted



### SIGNATURE HARDWARE LIFETIME WARRANTY

See website for warranty information

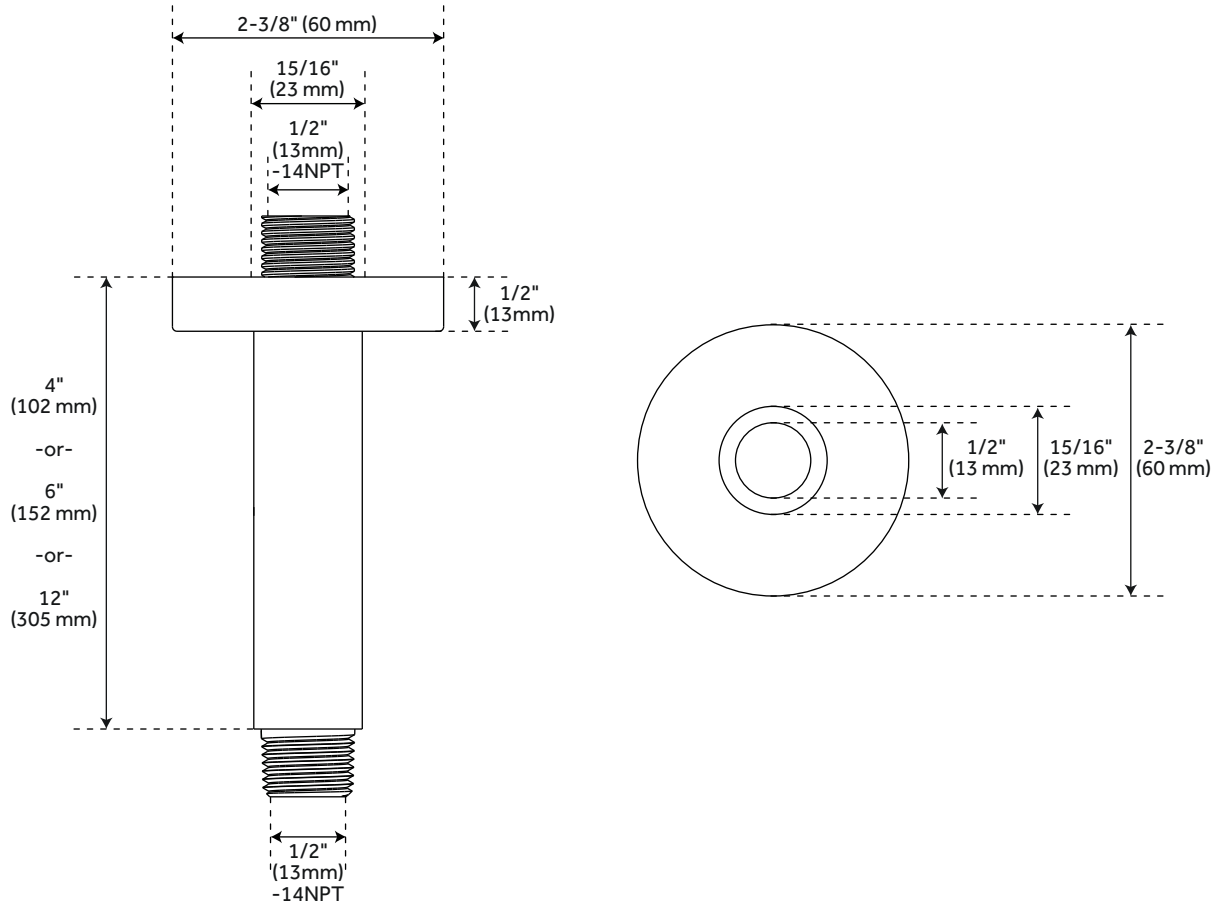


All dimensions and specifications are nominal and may vary. Use actual products for accuracy in critical situations.

# PROVINCETOWN

## ROUND CEILING-MOUNT SHOWER ARM

SKU: 948958



### FEATURES

Shape: Round  
Material: Brass  
Features: Shower Arm Only  
Base Plate Diameter: 2-3/8"  
Assembly Required: No  
Installation Type: Ceiling Mount  
Escutcheon Included  
IPS: 1/2"

### CODES/STANDARDS

SHRSC40/SHRS120  
cCSAus  
ASME A112.18.1/CSA B125.1  
Massachusetts Accepted

SHRSC60  
cCSAus  
ASME A112.18.1/CSA B125.1

### SIGNATURE HARDWARE LIFETIME WARRANTY

See website for warranty information

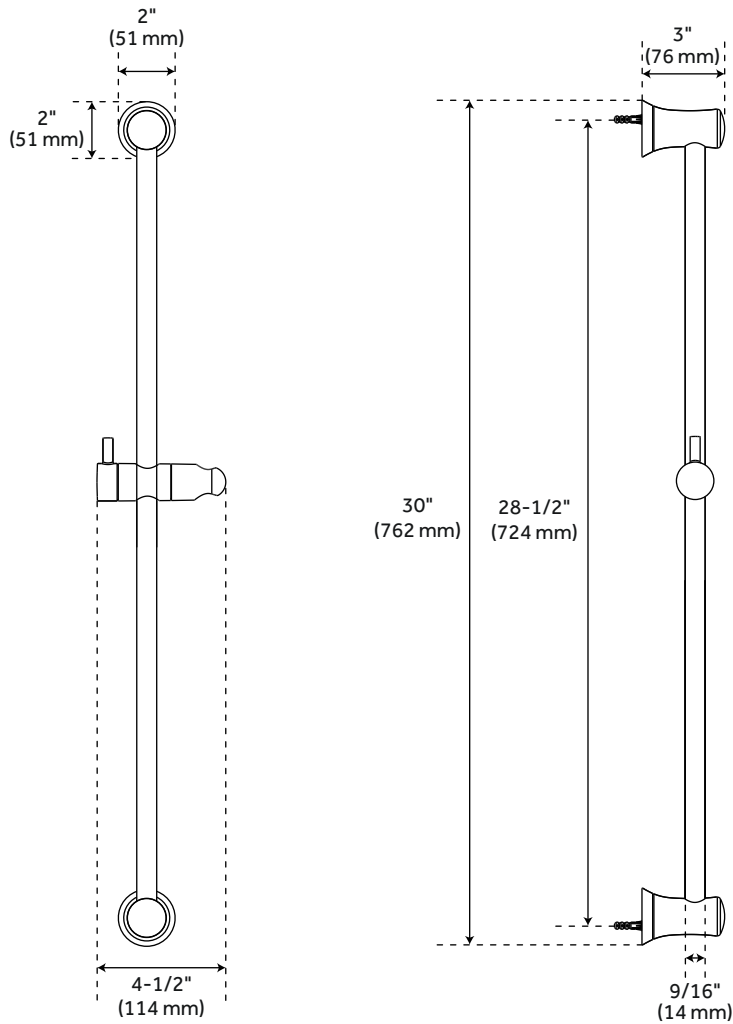


All dimensions and specifications are nominal and may vary. Use actual products for accuracy in critical situations.

# PROVINCETOWN

## 30" MODERN SLIDE BAR FOR HAND SHOWER

SKU: 948917



### FEATURES

Material: Brass  
Handle Type: Lever  
Length: 4-1/2"  
Width: 3"  
Height: 30"  
Assembly Required: No  
Installation Type: Wall Mount  
Mounting Hardware Included: Yes  
Base Plate Height: 2"  
Base Plate Width: 2"

### SIGNATURE HARDWARE LIFETIME WARRANTY

See website for warranty information



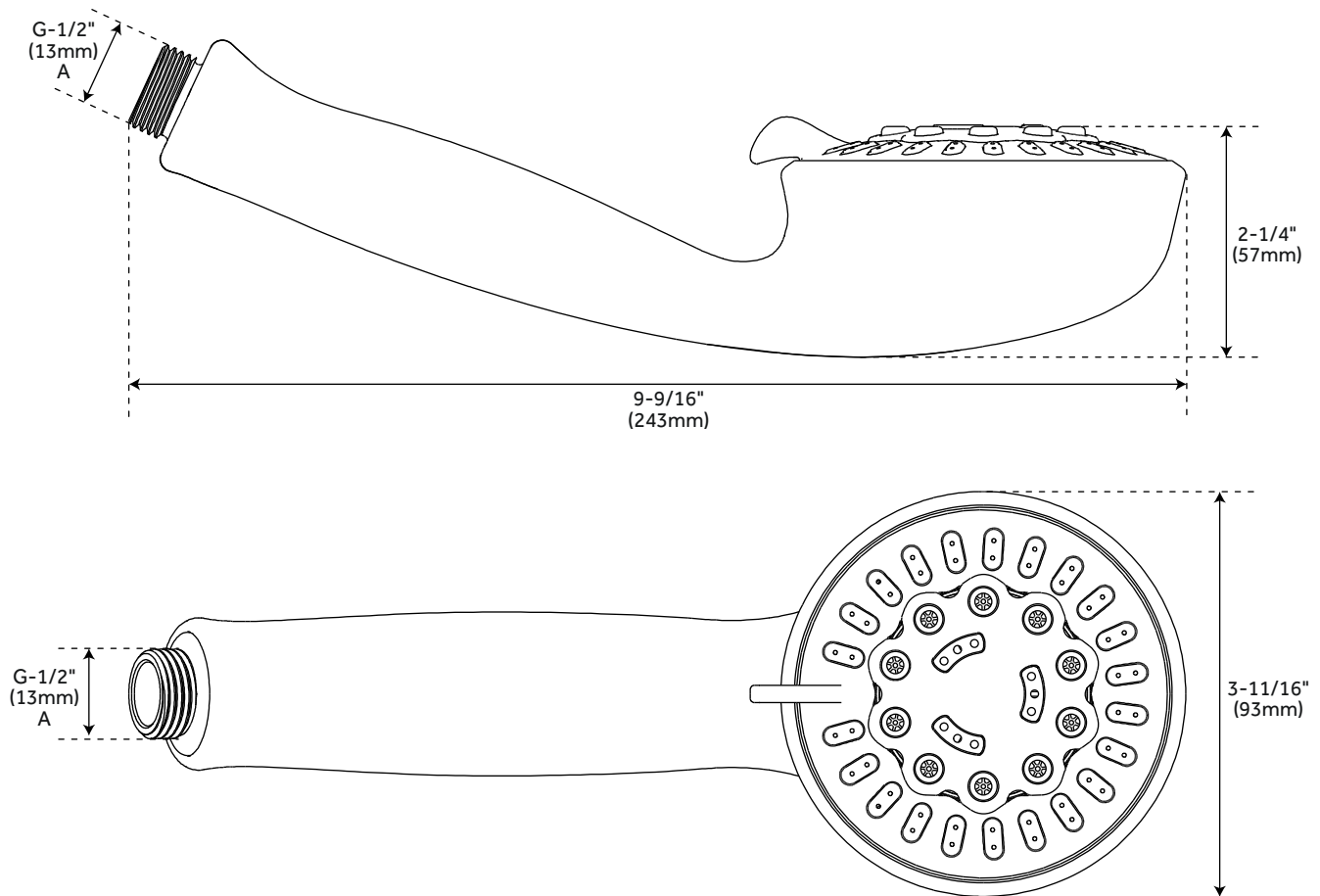
PAGE 6  
Code: SHSB3020

All dimensions and specifications are nominal and may vary. Use actual products for accuracy in critical situations.

# PROVINCETOWN

## MODERN MULTIFUNCTION HAND SHOWER

SKU: 948922



### FEATURES

Material: ABS  
Shape: Round  
Length: 3-11/16"  
Width: 2-1/4"  
Height: 9-9/16"  
Assembly Required: No  
5 Function Hand Shower (Full Spray, Massage Spray, Aerated Spray, Full & Massage Spray, and Full & Aerated Spray)  
3.6" Finish Matched Spray Face  
Easy Clean Rubber Nozzles  
Hand Shower Includes Backflow Prevention  
Maximum Flow Rate: 1.8 gpm (6.8L/min) max @ 80 psi

### CODES/STANDARDS

cUPC  
ASME A112.18.1/CSA B125.1  
ADA compliant (when installed according to ADA standards)  
ASME A112.18.3  
WaterSense  
Massachusetts Accepted

### SIGNATURE HARDWARE LIFETIME WARRANTY

See website for warranty information



All dimensions and specifications are nominal and may vary. Use actual products for accuracy in critical situations.