

# VILAMONTE

## VOLUME CONTROL AND THERMOSTATIC TRIM

SKU: 949091



### FEATURES

- Material: Brass
- Shape: Square
- Handle Type: Lever
- Features: Thermostatic
- Assembly Required: No
- Installation Type: Wall
- Metal Lever Handle
- Temperature Outlet Factory Preset to 104 Degrees Fahrenheit
- Temperature Can Be Easily Adjusted Up and Down to User's Comfort Level
- Scald Guard Protection
- High Temperature Limit Stop
- Thermostatic Technology Keeps Shower Temperature Within 1 Degree Celsius
- For Proper Installation, Requires Use of a Thermostatic Valve and Trim
- Wall thickness range: 1" to 1-3/4"
- Optional Rough-In Valves

### CONTENTS

VOLUME CONTROL .....	PAGE 2
THERMOSTATIC TRIM .....	PAGE 3
VOLUME CONTROL VALVE .....	PAGE 4
THERMOSTATIC VALVE .....	PAGE 5

### SIGNATURE HARDWARE Lifetime Warranty

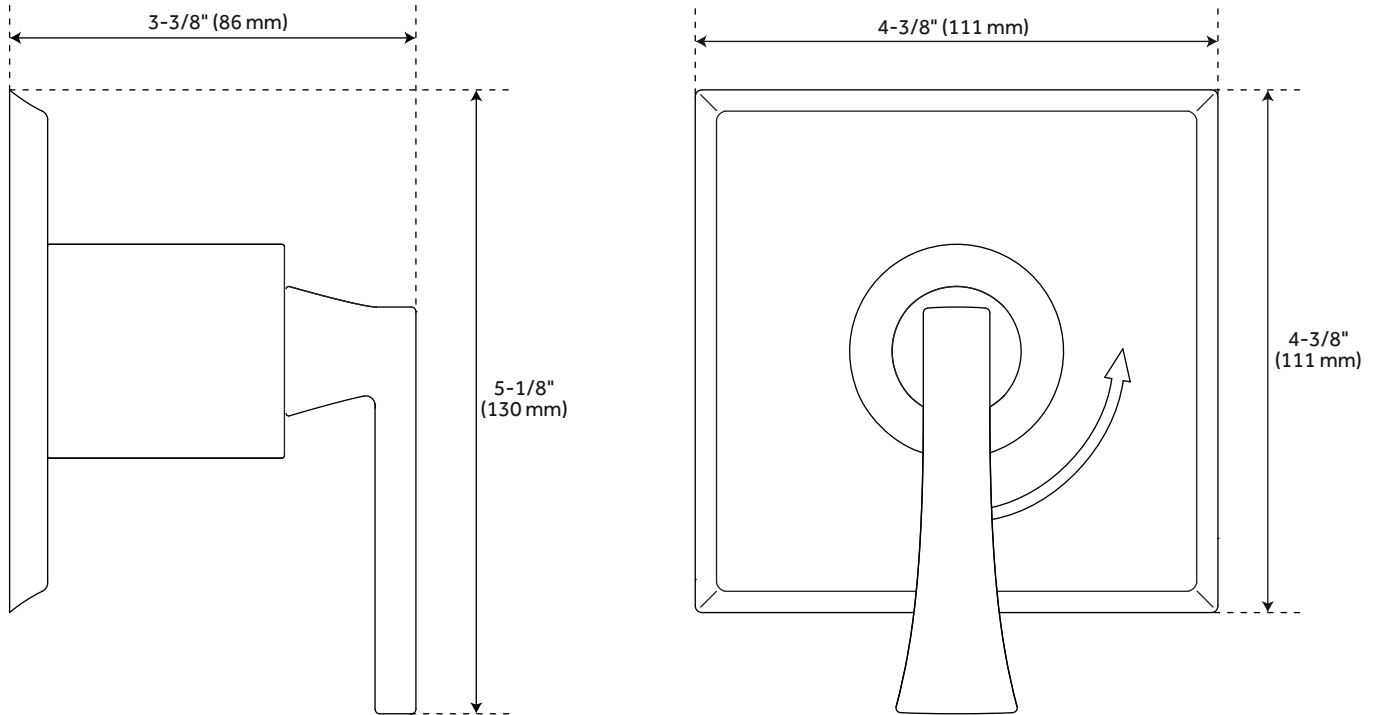
See website for detailed warranty information.

REVISED 01/29/2020

# VILAMONTE

## VOLUME CONTROL

SKU: 949091



### FEATURES

Width: 4-3/8"  
Height: 4-3/8"  
Depth: 3-3/8"  
Wall Thickness Range: 1" to 1-3/4"

### CODES/STANDARDS

cUPC  
ASME A112.18.1/CSA B125.1  
ICC/ANSI A117.1 (when installed according  
to ADA standards)  
Massachusetts Accepted

### SIGNATURE HARDWARE LIFETIME WARRANTY

See website for warranty information



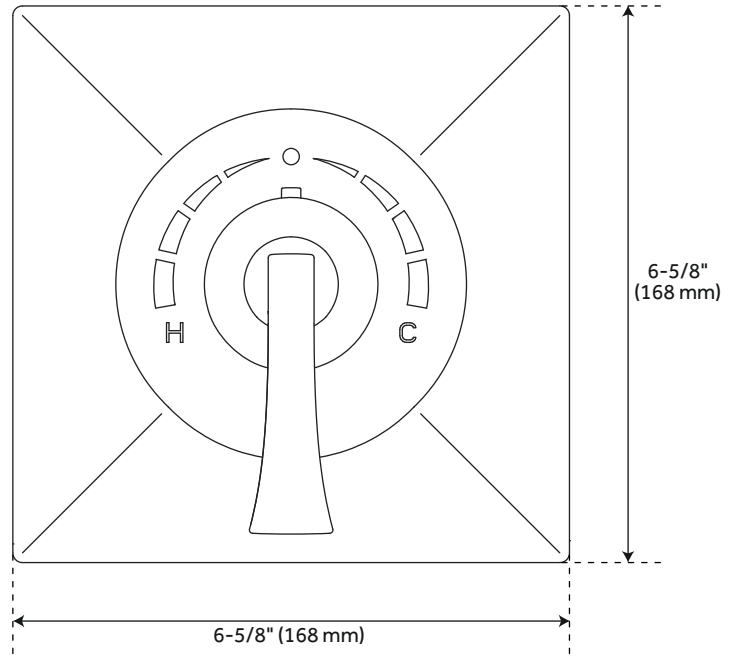
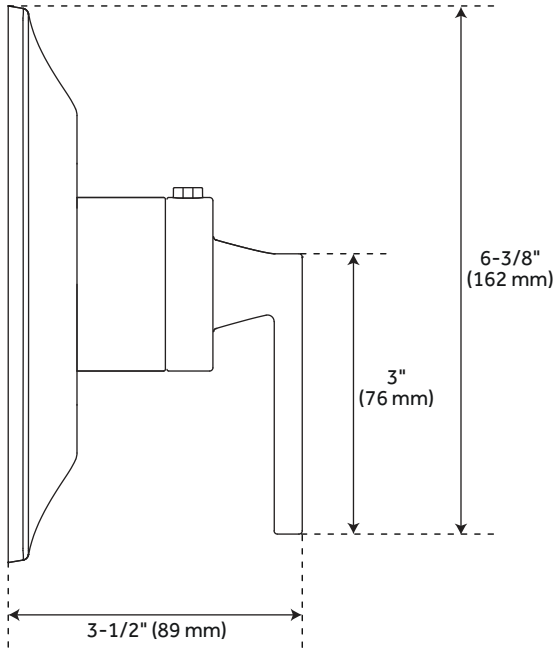
All dimensions and specifications are nominal and may vary. Use actual products for accuracy in critical situations.

PAGE 2  
Code: SHVL9007BN/SHVL9007CP  
SHVL9007ORB/SHVL9007PN

# VILAMONTE

## THERMOSTATIC TRIM

SKU: 949091



### FEATURES

Width: 6-5/8"  
Height: 6-5/8"  
Depth: 3-1/2"  
Wall Thickness Range: 1" to 1-3/4"

### CODES/STANDARDS

cUPC  
ASME A112.18.1/CSA B125.1  
ADA compliant (when installed according  
to ADA standards)  
Massachusetts Accepted

### SIGNATURE HARDWARE LIFETIME WARRANTY

See website for warranty information



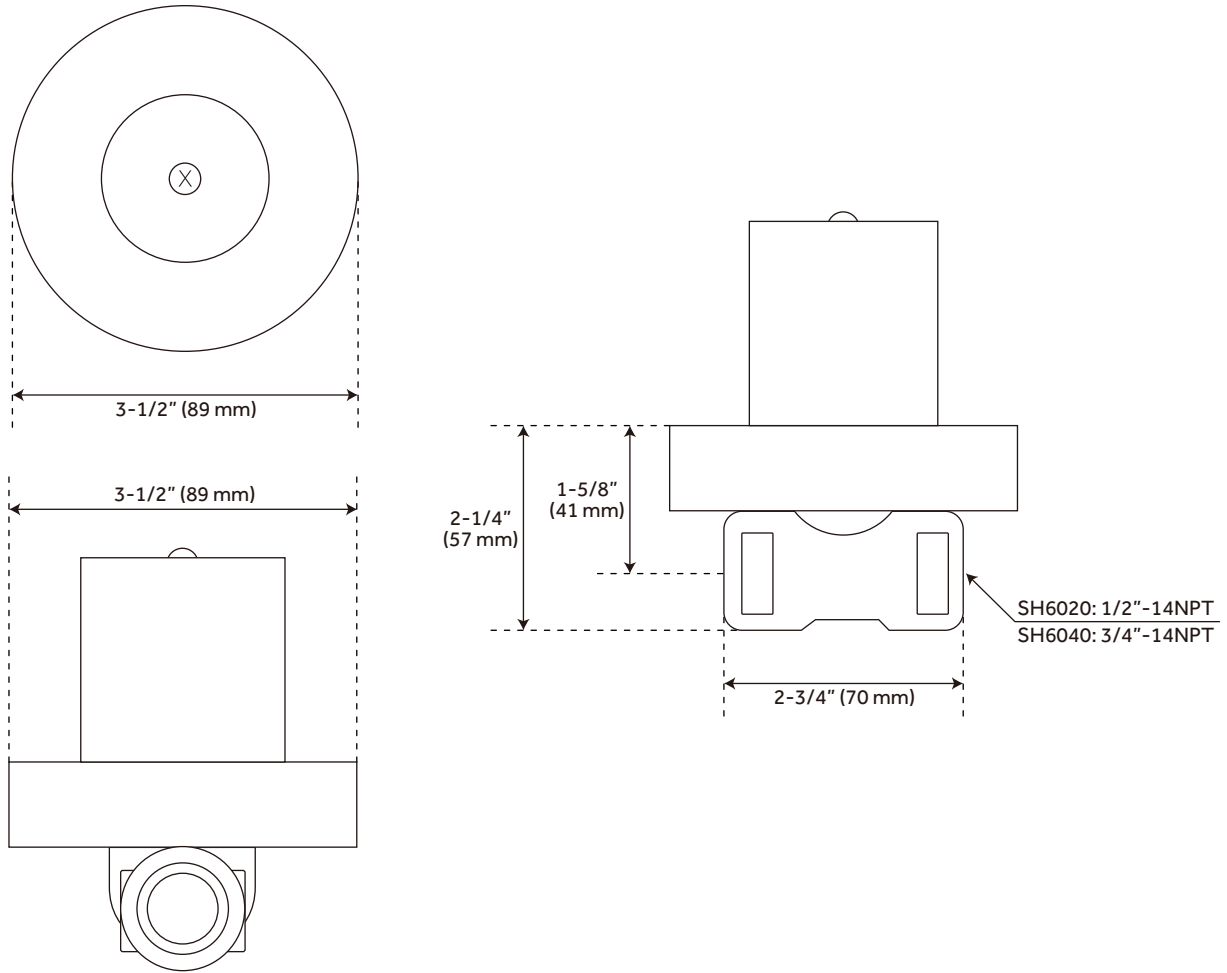
All dimensions and specifications are nominal and may vary. Use actual products for accuracy in critical situations.

PAGE 3  
Code: SHVL9009BN/SHVL9009CP  
SHVL9009ORB/SHVL9009PN

# VILAMONTE

## OPTIONAL VOLUME CONTROL VALVE WITH 1/2" -OR- 3/4" CONNECTION

SKU: 949091



### FEATURES

- Optional Rough-In Valve
- Brass Valve Body
- Ceramic Cartridge
- Recommended Valve Installation  
Depth 1-5/8" to 2-3/8"

### CODES/STANDARDS

- cUPC
- ASME A112.18.1/CSA B125.1

### SIGNATURE HARDWARE LIFETIME WARRANTY

See website for warranty information



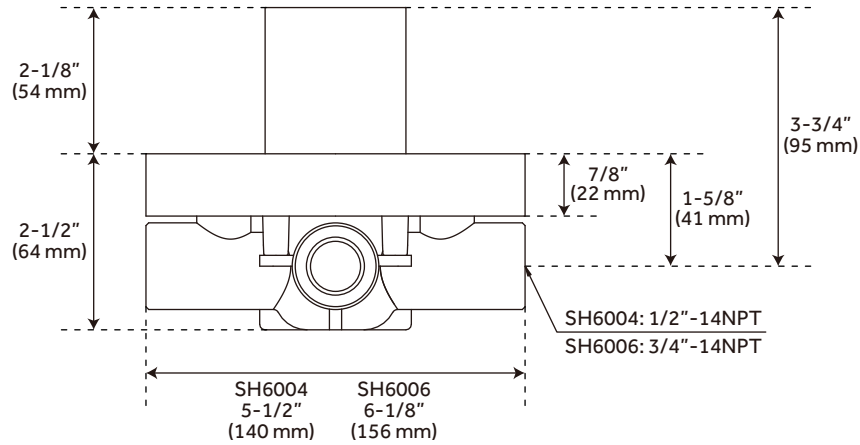
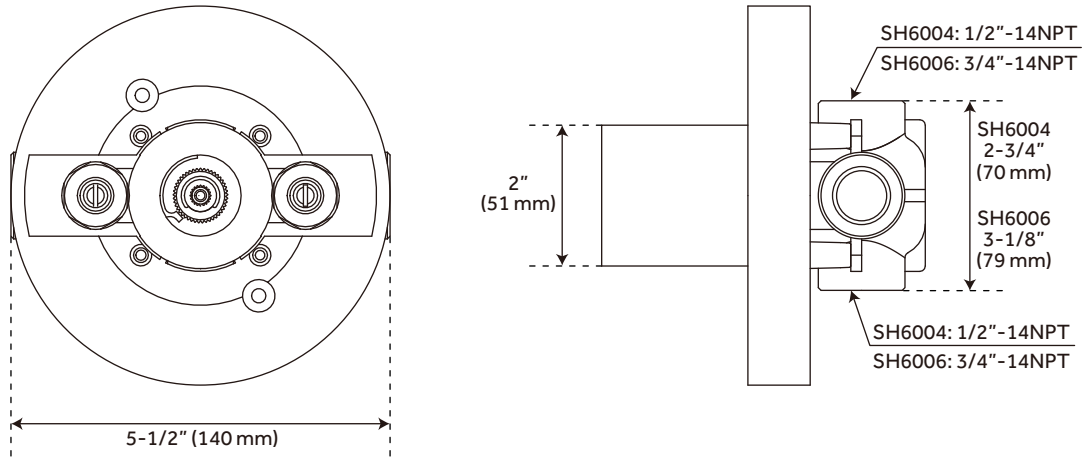
All dimensions and specifications are nominal and may vary. Use actual products for accuracy in critical situations.

PAGE 4  
Code: SH6020/SH6040

# VILAMONTE

## OPTIONAL THERMOSTATIC VALVE WITH 1/2" -OR- 3/4" CONNECTION

SKU: 949091



### FEATURES

- Bronze Valve Body
- Ceramic Cartridge
- Integral Water Stops and Check Valve
- Recommended Valve Installation Depth 1-5/8" to 2-3/8"
- Must Be Installed in Accordance With Provided Installation Instructions

### CODES/STANDARDS

- cUPC
- ASME A112.18.1/CSA B125.1
- ASSE 1016 Type T

### SIGNATURE HARDWARE LIFETIME WARRANTY

See website for warranty information



All dimensions and specifications are nominal and may vary. Use actual products for accuracy in critical situations.

PAGE 5  
Code: SH6004/SH6006