

TRADITIONAL

ROUND MULTIFUNCTION SHOWER HEAD WITH STANDARD ARM

SKU: 949063



FEATURES

- Shape: Round
- Assembly Required: No
- Installation Type: Wall
- Shower Head Spray: Multi-Function
- Shower Arm Included: Yes
- Shower Head Swivel: Yes
- 3 Function Shower Head (Full Spray, Massage Spray, Full & Massage Spray)
- Brass Ball Joint & Threaded Connection
- Easy Installation
- 45 Degree Shower Arm With Flange
- Escutcheon Included
- Shower Head Flow Rate: 1.8 gpm (6.8L/min) max @ 80 psi

SIGNATURE HARDWARE Lifetime Warranty

See website for detailed warranty information.

CONTENTS

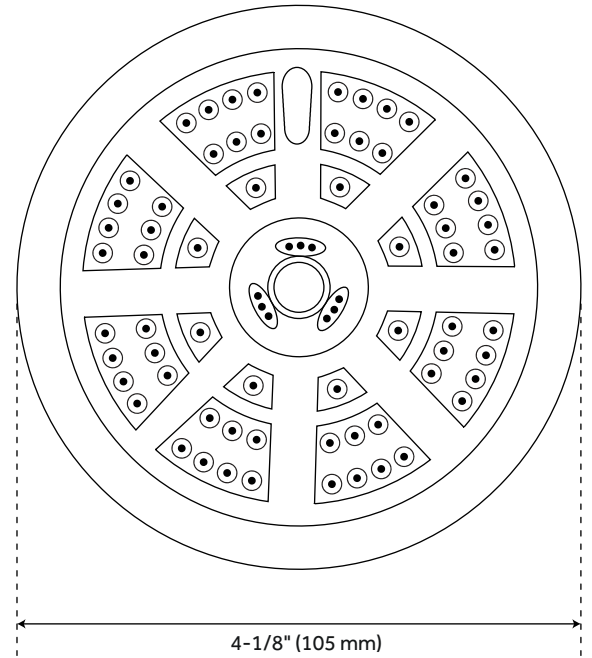
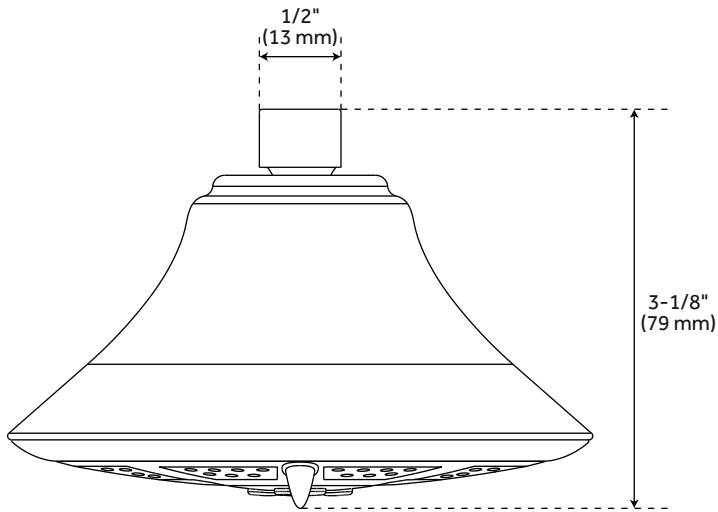
SHOWER HEAD	PAGE 2
SHOWER ARM	PAGE 3

REVISED 01/15/2020

TRADITIONAL

ROUND MULTIFUNCTION SHOWER HEAD

SKU: 949063



FEATURES

Material: ABS
Diameter: 6-1/8"
Height: 3-1/8"
IPS: 1/2"

CODES/STANDARDS

cUPC
ASME A112.18.1/CSA 125.1
WaterSense
Massachusetts Accepted

SIGNATURE HARDWARE LIFETIME WARRANTY

See website for warranty information



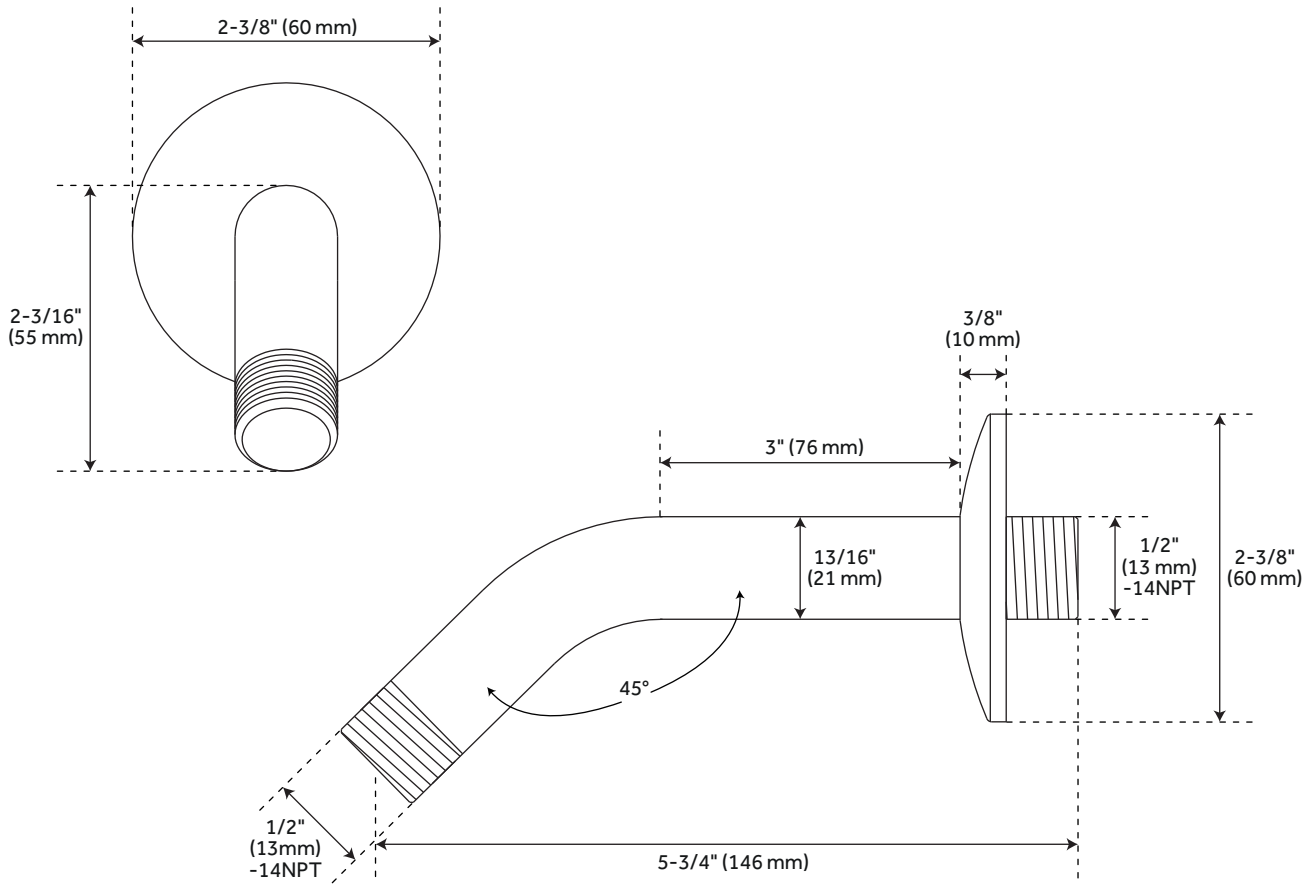
All dimensions and specifications are nominal and may vary. Use actual products for accuracy in critical situations.

PAGE 2
Code: SHSH2090GBN/SHSH2090GCP

TRADITIONAL

SHOWER ARM

SKU: 949063



FEATURES

Material: Brass
Length: 5-3/4"
Height: 2-3/16"
Base Plate Height: 2-3/8"
Base Plate Width: 2-3/8"
IPS: 1/2"

CODES/STANDARDS

cUPC
ASME A112.18.1/CSA B125.1

SIGNATURE HARDWARE

LIFETIME WARRANTY

See website for warranty information



All dimensions and specifications are nominal and may vary. Use actual products for accuracy in critical situations.

PAGE 3
Code: SHSK82BN/SHSK82CP