

GREYFIELD

PRESSURE BALANCE SHOWER VALVE TRIM

SKU: 948890



FEATURES

Shape: Round
Handle Type: Lever
Features: Pressure-Balanced
Assembly Required: No
Installation Type: Wall
Metal Handle
Metal Escutcheon
Extension Kit Available: ACF4001EXT
Optional Rough-in Valve

SIGNATURE HARDWARE Lifetime Warranty

See website for detailed warranty information.

CONTENTS

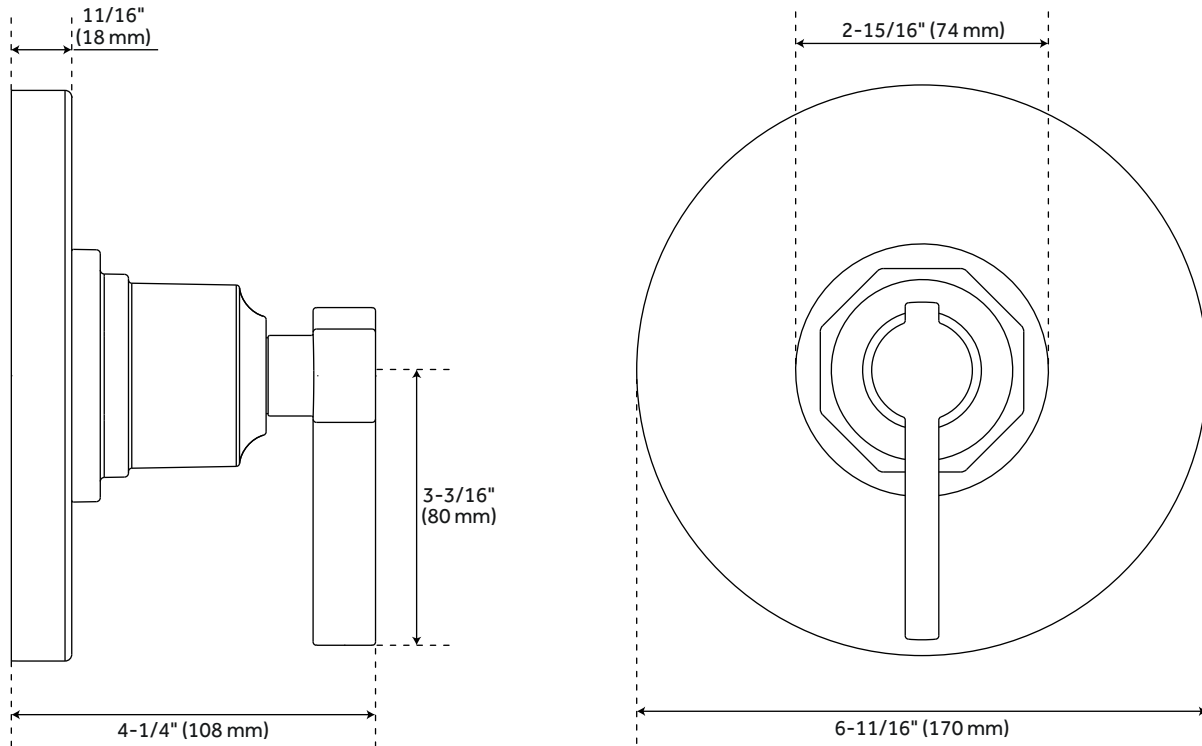
TRIM PAGE 2
VALVE PAGE 3

REVISED 01/15/2020

GREYFIELD

PRESSURE BALANCE SHOWER TRIM

SKU: 948890



FEATURES

Material: Brass
Width: 6-11/16"
Height: 6-11/16"
Depth: 4-1/4"
NPT Connection: 1/2"

CODES/STANDARDS

cUPC
ASME A112.18.1/CSA B125.1
ICC/ANSI A117.1 (when installed according to ADA standards)
Massachusetts Accepted

SIGNATURE HARDWARE LIFETIME WARRANTY

See website for warranty information



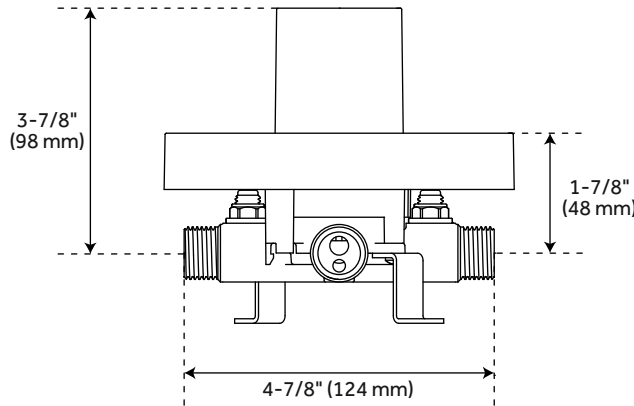
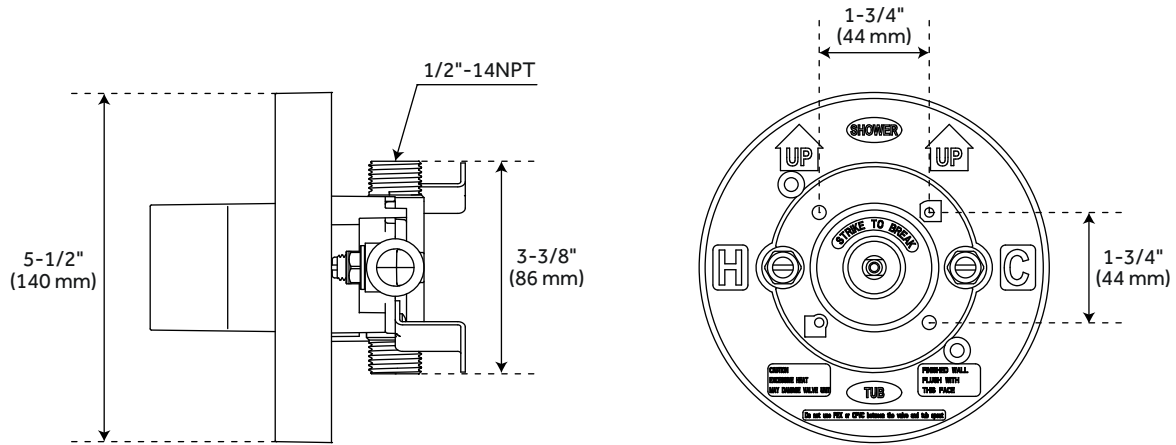
All dimensions and specifications are nominal and may vary. Use actual products for accuracy in critical situations.

PAGE 2
Code: SHGF8010BN/SHGF8010CP/SHGF8010PN

GREYFIELD

OPTIONAL PRESSURE BALANCE TUB AND SHOWER ROUGH IN VALVE

SKU: 948890



FEATURES

- Pressure Balance Valve With Integral Stops
- One-Piece Cartridge Design For Ease Of Maintenance
- Back-To-Back Capability
- Ceramic Disc Valve Cartridge
- Cast Bronze Valve Body
- Adjustable Temperature Limit Stop
- Quick Remove Plaster Guard
- Easy Mounting Brackets

CODES/STANDARDS

- cUPC
- ASME A112.18.1/CSA B125.1
- Massachusetts Accepted

SIGNATURE HARDWARE LIFETIME WARRANTY

See website for warranty information



All dimensions and specifications are nominal and may vary. Use actual products for accuracy in critical situations.

PAGE 3
Code: SH4001