

LAXSON

ACRYLIC FREESTANDING TUB

SKU: 948782



FEATURES

- Design: Modern
- Product Finish: White
- Features: Integral Drain & Overflow
- Overflow Hole: Yes
- Integral Drain & Overflow : Yes
- Shape: Rectangle
- Material: Acrylic
- Tap Deck: No
- Drain Included: Yes
- Faucet Included: No
- Faucet Drillings: No Drillings
- Built-in Adjusters: Yes
- Trim Kit Includes: Pop-Up Drain with Matching Drain Cover and Overflow Plate in your Choice of Color
- Formed of Two Acrylic Sheets, the Air Between Acting as Thermal Insulator
- Insulation Option: Increases Heat Retention and Prevents Condensation Due to Water and Air Temperature Fluctuations

CONTENTS

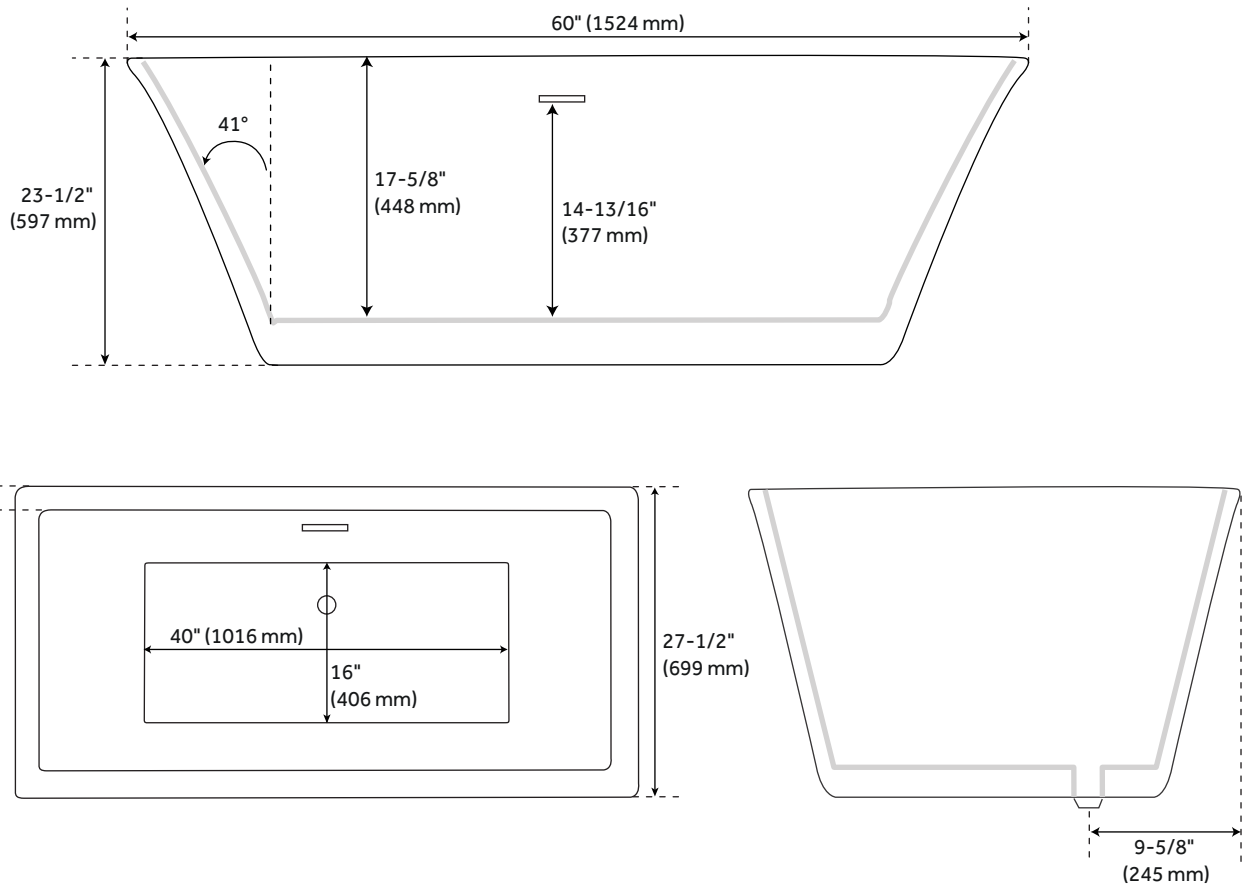
60" TUB	PAGE 2
64" TUB	PAGE 3
70" TUB	PAGE 4
60" AIR TUB	PAGE 5
64"-70" AIR TUB	PAGE 6
60" AIR TUB	PAGE 7
64" AIR TUB	PAGE 8
70" AIR TUB	PAGE 9

REVISED 06/23/2021

60" LAXSON

ACRYLIC FREESTANDING TUB

SKU: 948782



FEATURES

- Length: 60"
- Width: 27-1/2"
- Height: 23-1/2"
- Tub Interior Length: 40"
- Tub Interior Width: 16"
- Water Depth To Overflow: 14-13/16"
- Water Depth to Rim: 17-5/8"
- Water Capacity Without Overflow (Gallons): 75
- Water Capacity With Overflow (Gallons): 67
- Tub Weight Uncrated (lbs): 91
- Tub Weight Crated (lbs): 191

PRODUCT IMAGE



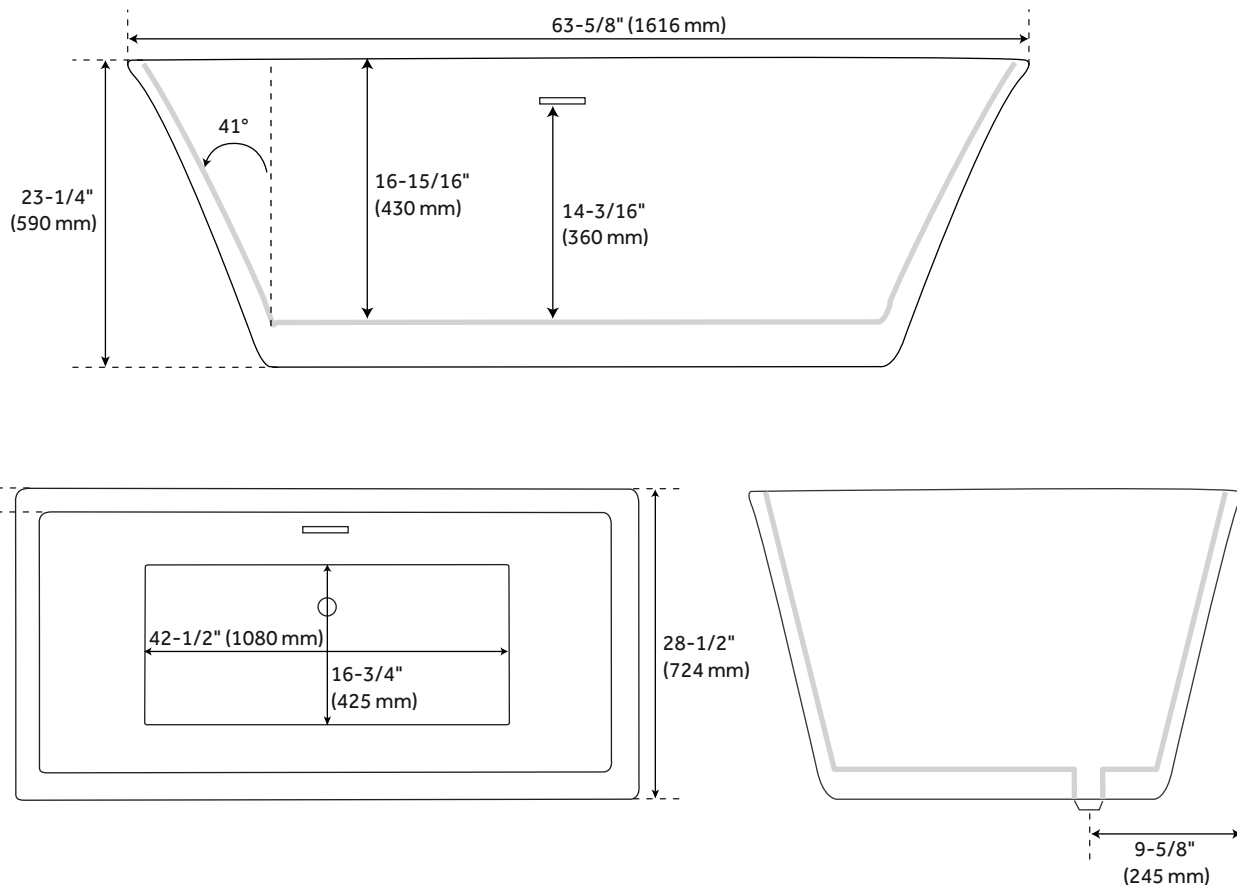
All dimensions and specifications are nominal and may vary. Use actual products for accuracy in critical situations.

PAGE 2

64" LAXSON

ACRYLIC FREESTANDING TUB

SKU: 948782



FEATURES

- Length: 63-5/8"
- Width: 28-1/2"
- Height: 23-1/4"
- Tub Interior Length: 42-1/2"
- Tub Interior Width: 16-3/4"
- Water Depth To Overflow: 14-3/16"
- Water Depth to Rim 16-15/16"
- Water Capacity Without Overflow (Gallons): 76
- Water Capacity With Overflow (Gallons): 68
- Tub Weight Uncrated (lbs): 116
- Tub Weight Crated (lbs): 206

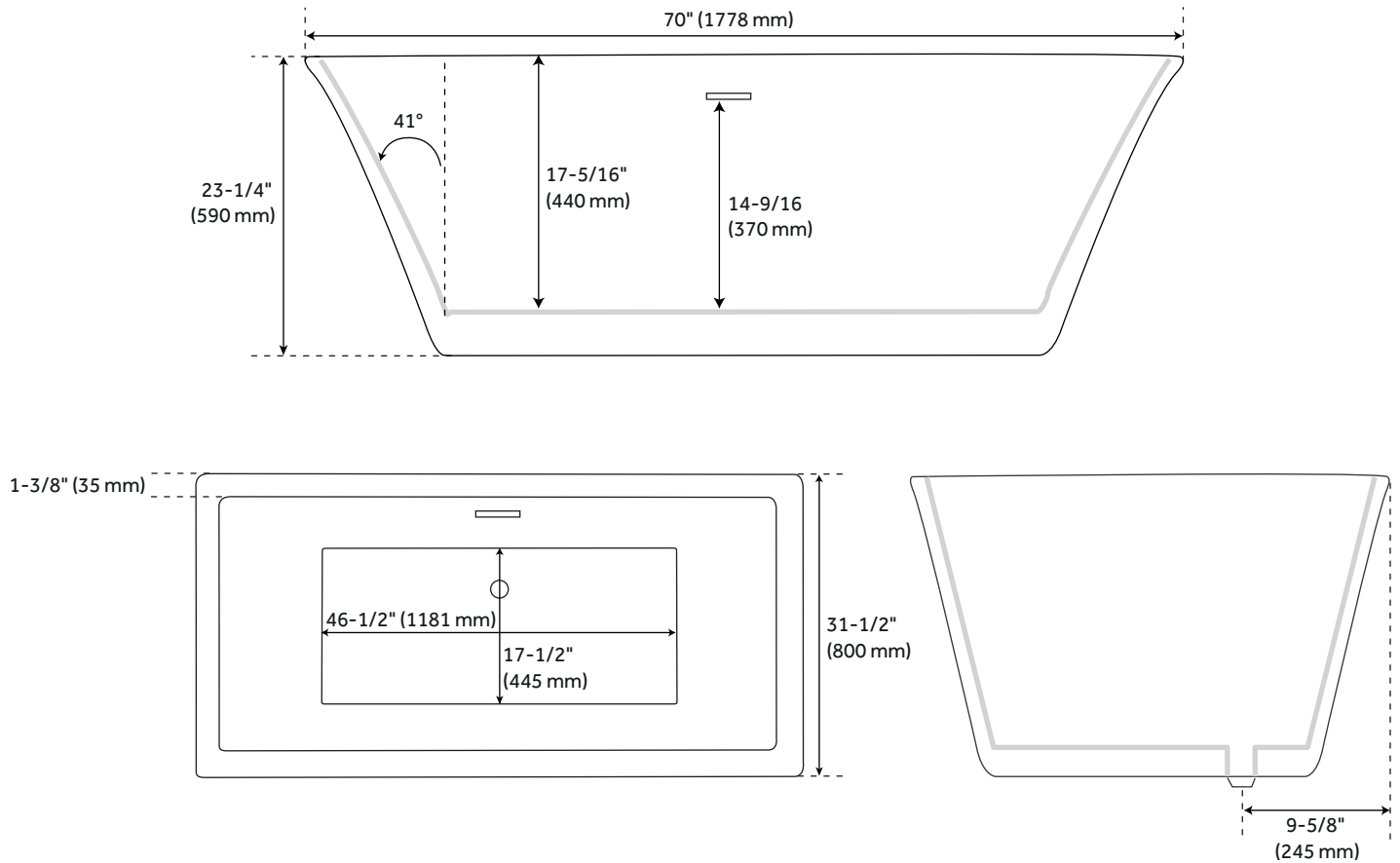
PRODUCT IMAGE



70" LAXSON

ACRYLIC FREESTANDING TUB

SKU: 948782



FEATURES

- Length: 70"
- Width: 28-1/2"
- Height: 23-1/4"
- Tub Interior Length: 42-1/2"
- Tub Interior Width: 16-3/4"
- Water Depth To Overflow: 14-3/16"
- Water depth to Rim 17-15/16"
- Water Capacity Without Overflow (Gallons): 94
- Water Capacity With Overflow (Gallons): 86
- Tub Weight Uncrated (lbs): 122
- Tub Weight Crated (lbs): 212

PRODUCT IMAGE



60" LAXSON AIR TUB

ACRYLIC FREESTANDING TUB

SKU: 948782

COMPONENTS LIST

- BM-TWP BALL CHECK VALVE JETS
- MANI-SD-A SECURITY DEVICE
- MAN-A-4-AC MANIFOLD
- SILVER SLS+ VARIABLE SPEED BLOWER

INSTALLATION

Install blower behind a wall (with an access panel) or in a closet. Blower can also be installed under floor. Ensure the security device, MANI-DS-A, is at least:

- 2" Above the tub rim

Security device and hose can be mounted in wall

REMOTE CONTROL

- CG+/RTC-SENSOR-WP
- 12 – 15 YEAR BATTERY LIFE

INSIDE OF BATH

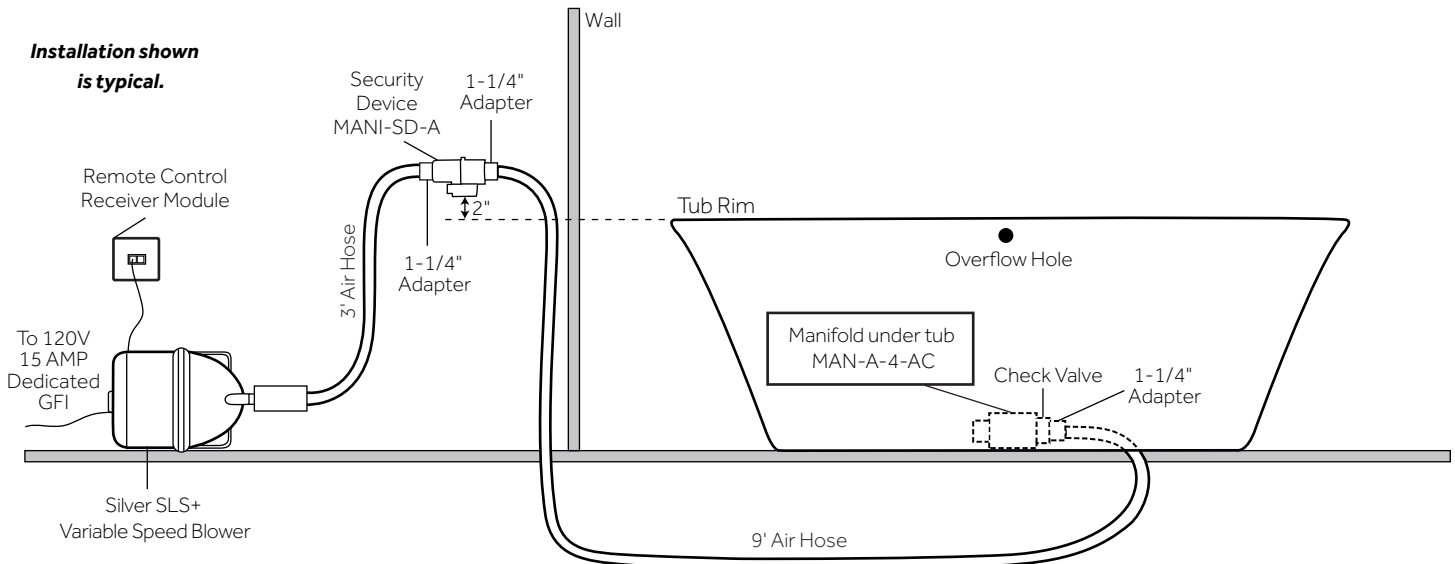
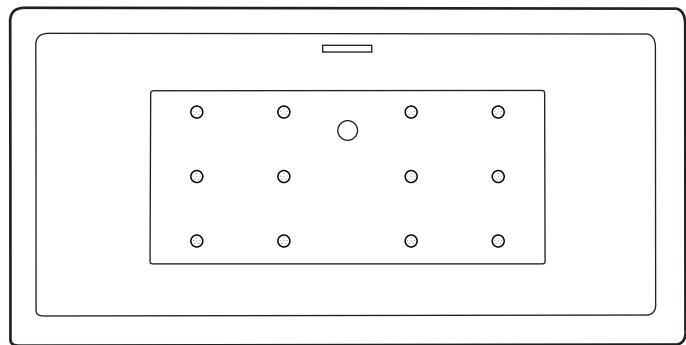
- (12) MAXI AIR JETS WITH 24 OPENINGS



ELBOWS FOR AIR JETS



TEES FOR AIR JETS



All dimensions and specifications are nominal and may vary. Use actual products for accuracy in critical situations.

PAGE 5

64" - 70" LAXSON AIR TUB

ACRYLIC FREESTANDING TUB

SKU: 948782

COMPONENTS LIST

- BM-TWP BALL CHECK VALVE JETS
- MANI-SD-A SECURITY DEVICE
- MAN-A-4-AC MANIFOLD
- SILVER SLS+ VARIABLE SPEED BLOWER

INSTALLATION

Install blower behind a wall (with an access panel) or in a closet. Blower can also be installed under floor. Ensure the security device, MANI-DS-A, is at least:

- 2" Above the tub rim

Security device and hose can be mounted in wall

REMOTE CONTROL

- CG+/RTC-SENSOR-WP
- 12 - 15 YEAR BATTERY LIFE

INSIDE OF BATH

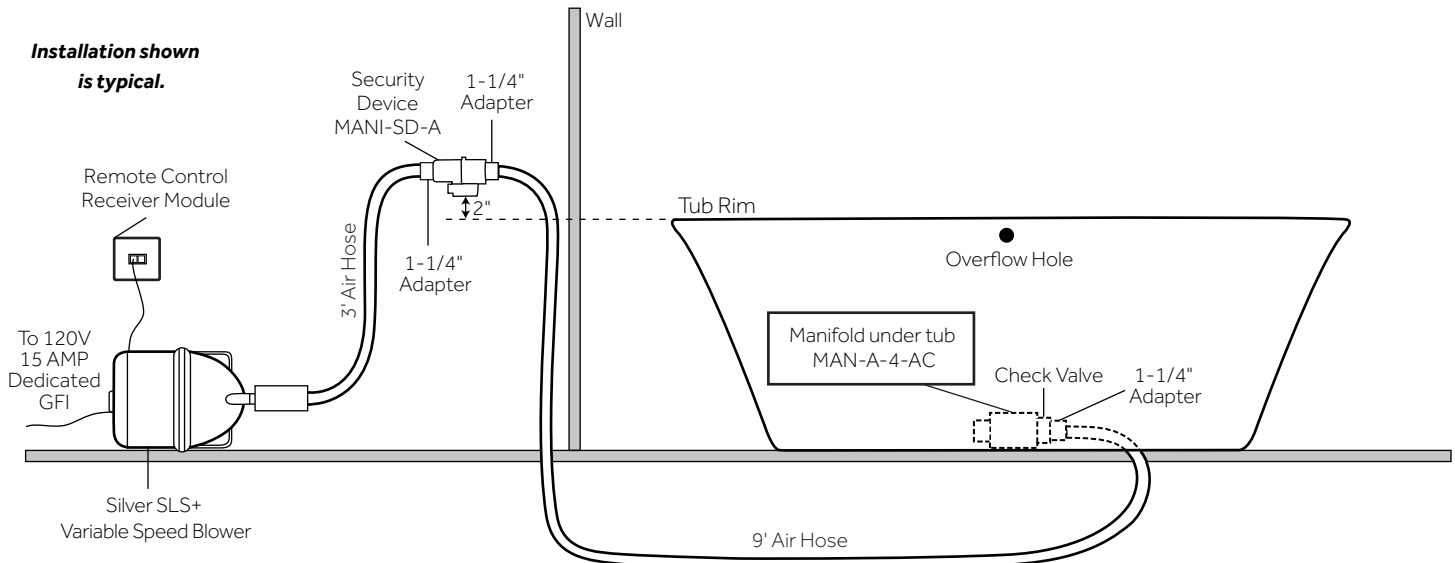
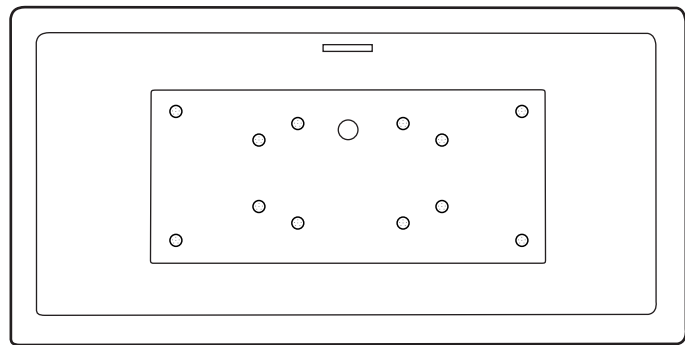
- (12) MAXI AIR JETS WITH 24 OPENINGS



ELBOWS FOR AIR JETS



TEES FOR AIR JETS



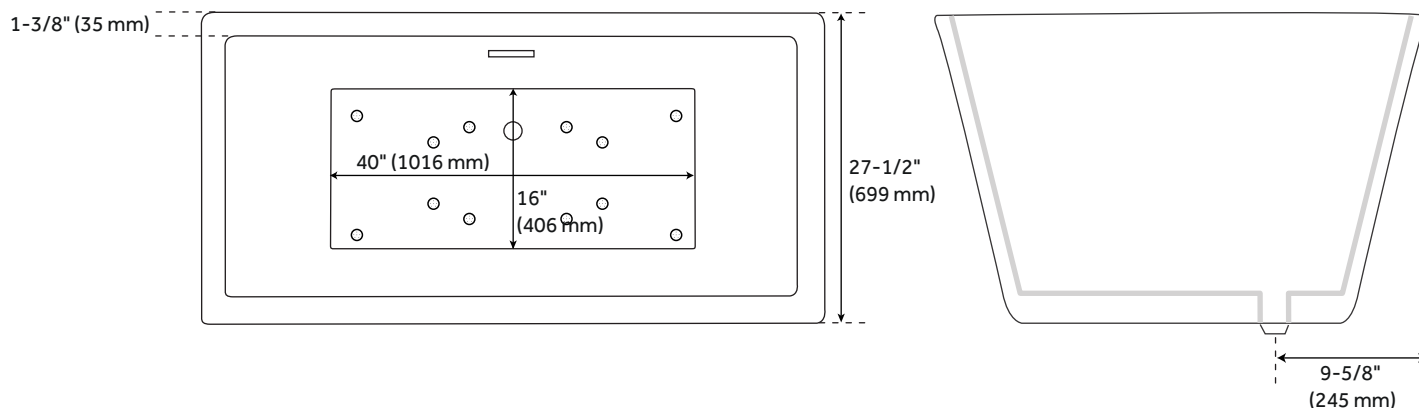
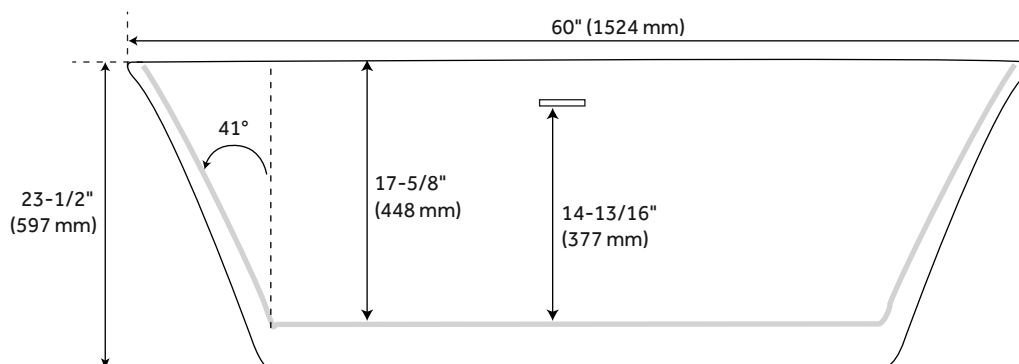
All dimensions and specifications are nominal and may vary. Use actual products for accuracy in critical situations.

PAGE 5

60" LAXSON AIR TUB

ACRYLIC FREESTANDING TUB

SKU: 948782



FEATURES

- Length: 60"
- Width: 27-1/2"
- Height: 23-1/2"
- Tub Interior Length: 40"
- Tub Interior Width: 16"
- Water Depth To Overflow: 14-13/16"
- Water Depth to Rim: 17-5/8"
- Water Capacity Without Overflow (Gallons): 75
- Water Capacity With Overflow (Gallons): 67
- Tub Weight Uncrated (lbs): 91
- Tub Weight Crated (lbs): 191

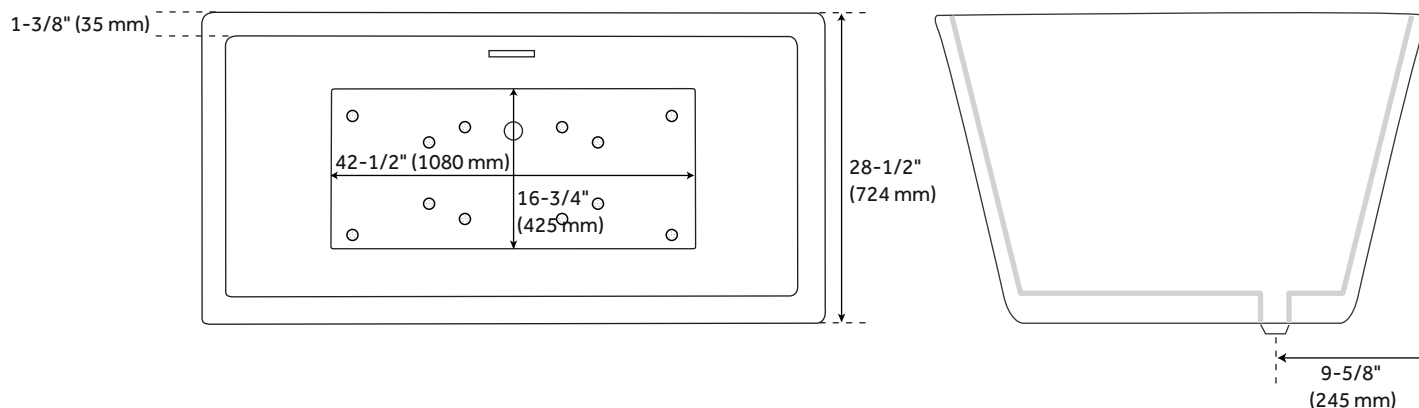
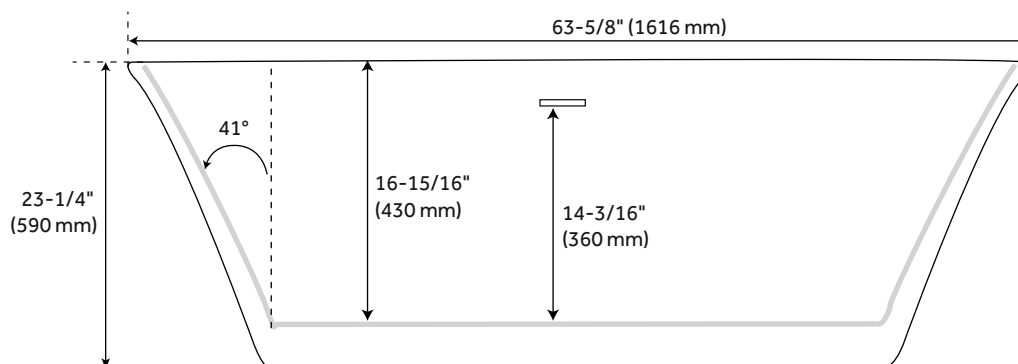
PRODUCT IMAGE



64" LAXSON AIR TUB

ACRYLIC FREESTANDING TUB

SKU: 948782



FEATURES

- Length: 63-5/8"
- Width: 28-1/2"
- Height: 23-1/4"
- Tub Interior Length: 42-1/2"
- Tub Interior Width: 16-3/4"
- Water Depth To Overflow: 14-3/16"
- Water Depth to Rim 16-15/16"
- Water Capacity Without Overflow (Gallons): 76
- Water Capacity With Overflow (Gallons): 68
- Tub Weight Uncrated (lbs): 116
- Tub Weight Crated (lbs): 206

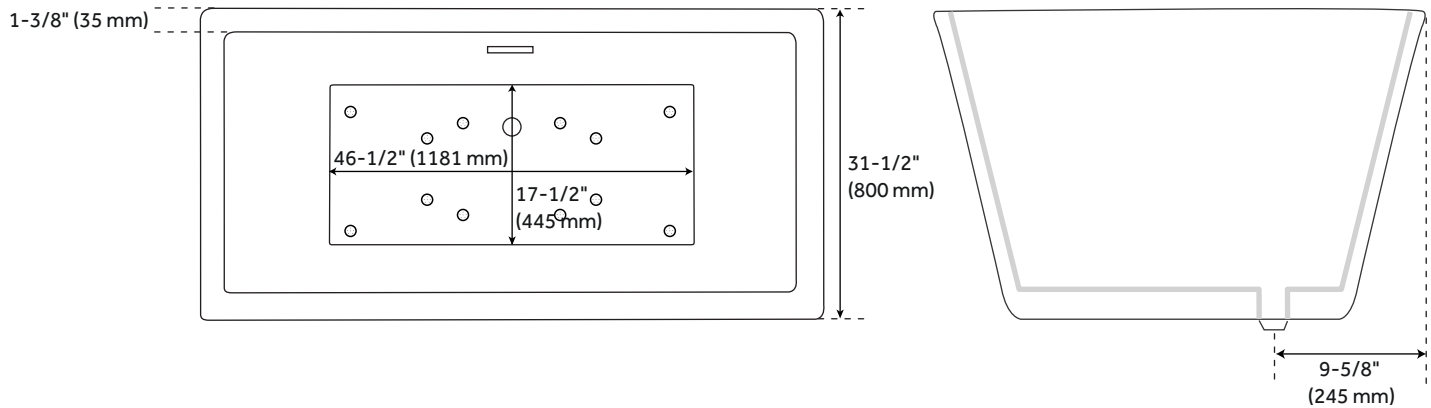
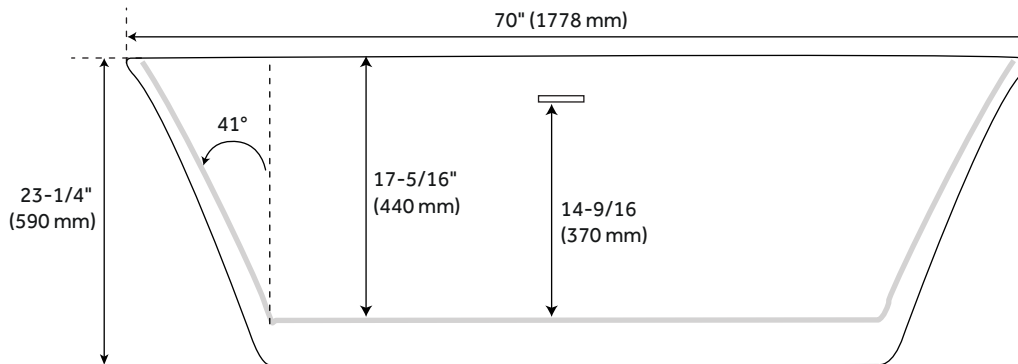
PRODUCT IMAGE



70" LAXSON AIR TUB

ACRYLIC FREESTANDING TUB

SKU: 948782



FEATURES

- Length: 70"
- Width: 28-1/2"
- Height: 23-1/4"
- Tub Interior Length: 42-1/2"
- Tub Interior Width: 16-3/4"
- Water Depth To Overflow: 14-3/16"
- Water depth to Rim 17-15/16"
- Water Capacity Without Overflow (Gallons): 94
- Water Capacity With Overflow (Gallons): 86
- Tub Weight Uncrated (lbs): 122
- Tub Weight Crated (lbs): 212

PRODUCT IMAGE

