

TREECE

ACRYLIC FREESTANDING TUB

SKU: 948780



CONTENTS

62" TUB	PAGE 2
67" TUB	PAGE 3
AIR TUB	PAGE 4
62" AIR TUB	PAGE 5
67" AIR TUB	PAGE 6

FEATURES

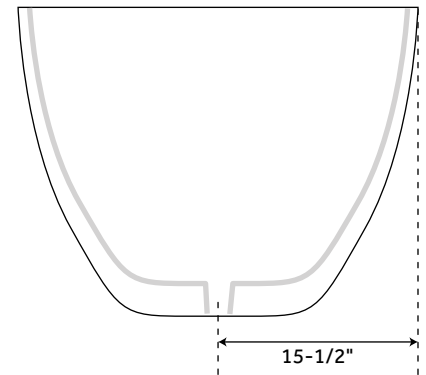
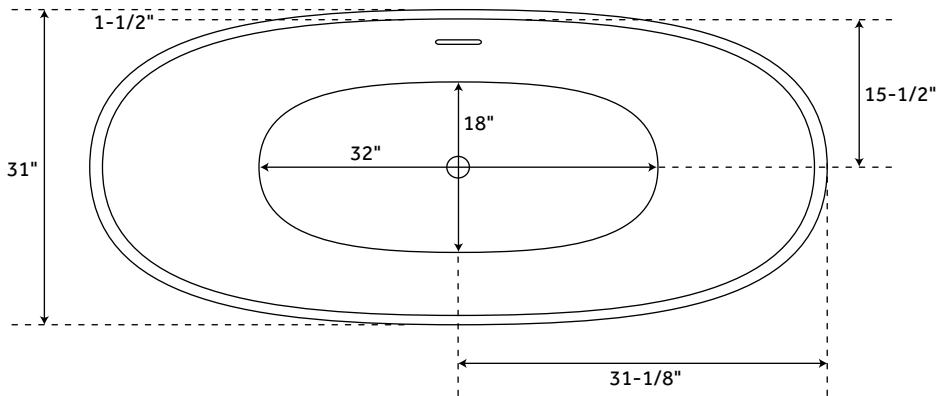
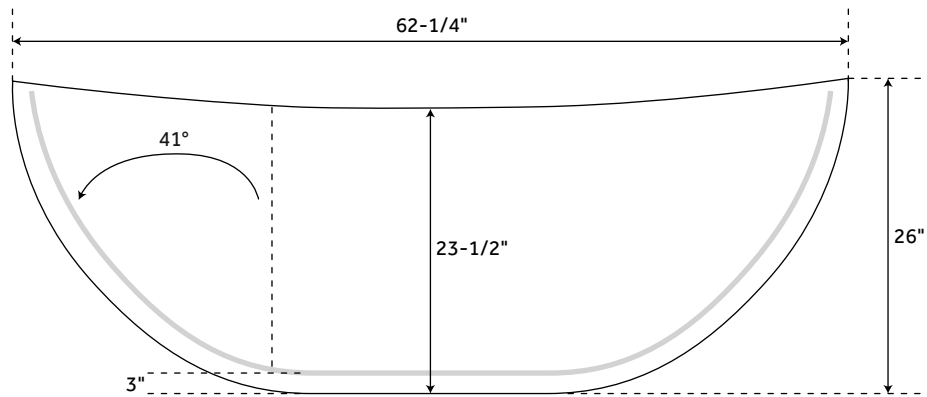
- Design: Modern
- Product Finish: White
- Features: Integral Drain & Overflow
- Overflow Hole: Yes
- Integral Drain & Overflow: Yes
- Shape: Oval
- Material: Acrylic
- Tap Deck: No
- Drain Included: Yes
- Faucet Included: No
- Faucet Drillings: No Drillings
- Built-In Adjusters: Yes
- Trim Kit Includes:
 - Pop-up Drain with Matching Drain Cover and Overflow Plate in Your Choice of Color
- Formed of Two Acrylic Sheets, the Air Between Acting as Thermal Insulator
- Air Tub Option: Features 8 Air Jets That Massage and Relax
- Remote Control Works Within 15-foot Radius and is Designed to Float. Tub and Air System Come Fully Assembled
- Insulation Option: Increases Heat Retention and Prevents Condensation Due to Water and Air Temperature Fluctuations
- Optional Quick Connect Drop-In Drain Kit Includes: Floor Plate, 1-1/2" PVC Pipe, 2" X 1-1/2" Trap Adapters, 1 Brass Threaded, 1 Brass Unthreaded Tailpiece and Plug
- Installs Above Your Subfloor, But Underneath Your Cement Floor or Tile, So You Do Not Need Access Below the Fixture

REVISED 05/01/2020

62" TREECE

ACRYLIC FREESTANDING TUB

SKU: 948780



FEATURES

- Length: 62-1/4"
- Width: 31"
- Height: 26"
- Tub Slope: 41°
- Water Depth To Rim: 18"
- Water Depth To Overflow: 15"
- Water Capacity Without Overflow (Gallons): 37
- Tub Weight Uncrated (lbs): 88
- Tub Weight Crated (lbs): 198

PRODUCT IMAGE



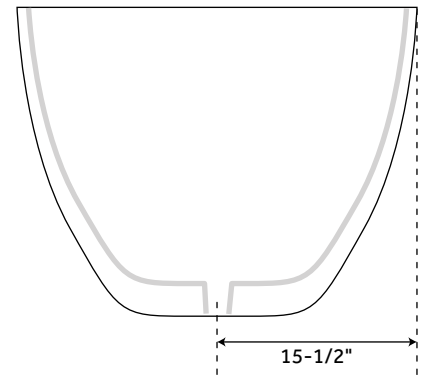
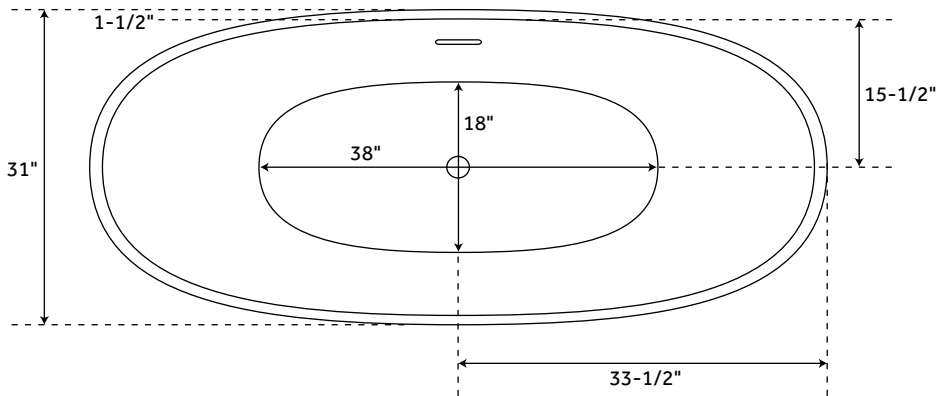
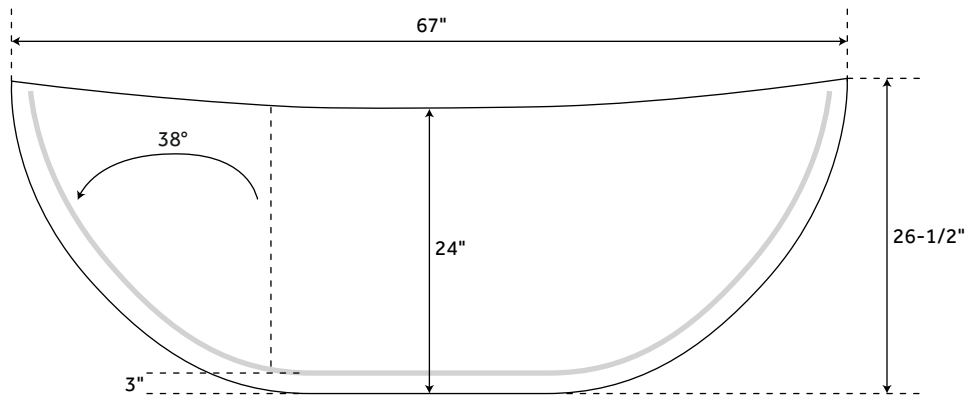
All dimensions and specifications are nominal and may vary. Use actual products for accuracy in critical situations.

PAGE 2

67" TREECE

ACRYLIC FREESTANDING TUB

SKU: 948780



FEATURES

- Length: 67"
- Width: 31"
- Height: 26-1/2"
- Tub Slope: 38°
- Water Depth to Rim: 17"
- Water Depth to Overflow: 14"
- Water Capacity Without Overflow (Gallons): 41
- Tub Weight Uncrated (lbs): 93
- Tub Weight Crated (lbs): 203

PRODUCT IMAGE



All dimensions and specifications are nominal and may vary. Use actual products for accuracy in critical situations.

PAGE 3

TREECE AIR TUB

ACRYLIC FREESTANDING TUB

SKU: 948780

COMPONENTS LIST

- BM-TWP BALL CHECK VALVE JETS
- MANI-SD-A SECURITY DEVICE
- MAN-A-4-AC MANIFOLD
- SILVER SLS+ VARIABLE SPEED BLOWER

INSTALLATION

Install blower behind a wall (with an access panel) or in a closet. Blower can also be installed under floor. Ensure the security device, MANI-DS-A, is at least:

- 2" Above the tub rim

Security device and hose can be mounted in wall

REMOTE CONTROL

- CG+/RTC-SENSOR-WP
- 12 – 15 YEAR BATTERY LIFE

INSIDE OF BATH

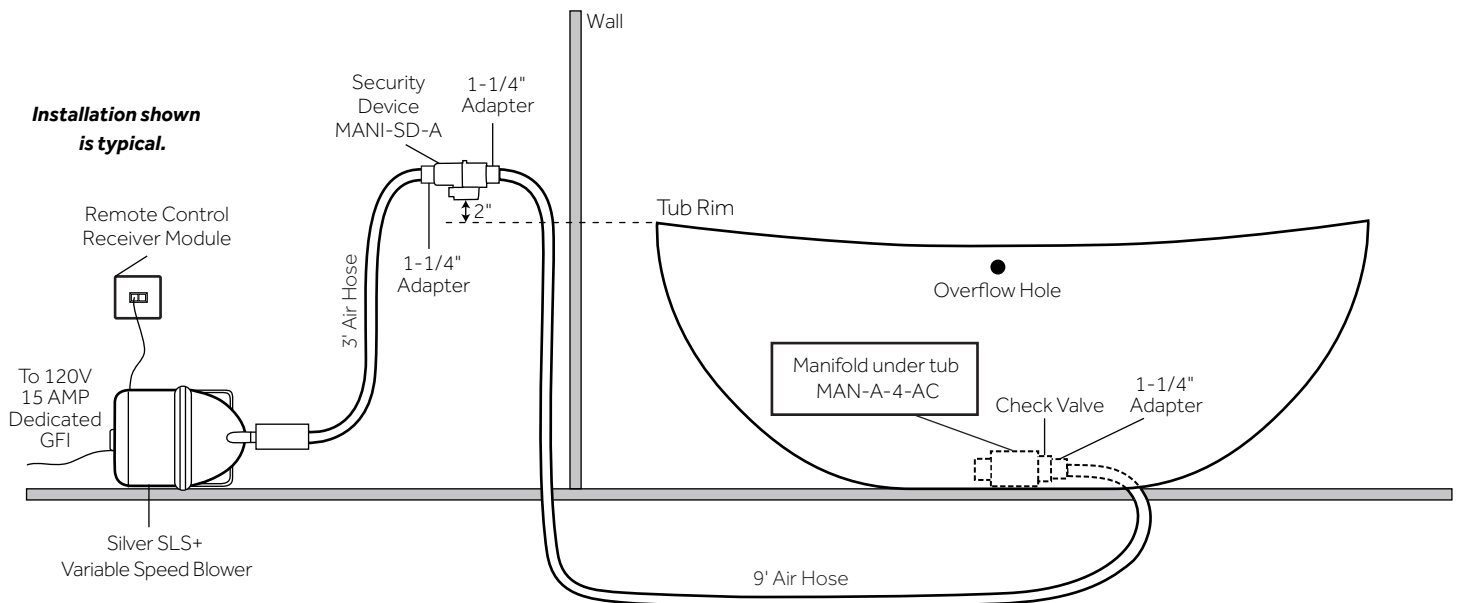
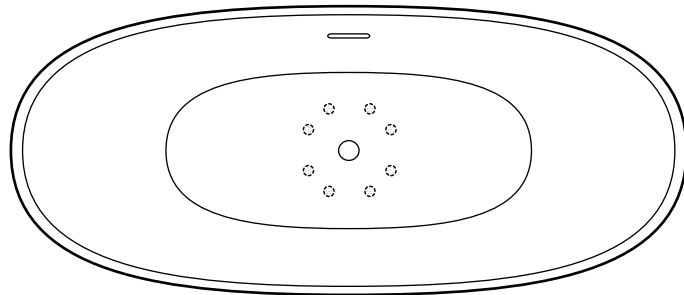
- (8) MAXI AIR JETS WITH 24 OPENINGS



ELBOWS FOR AIR JETS



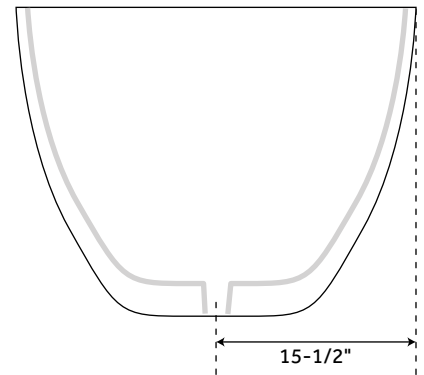
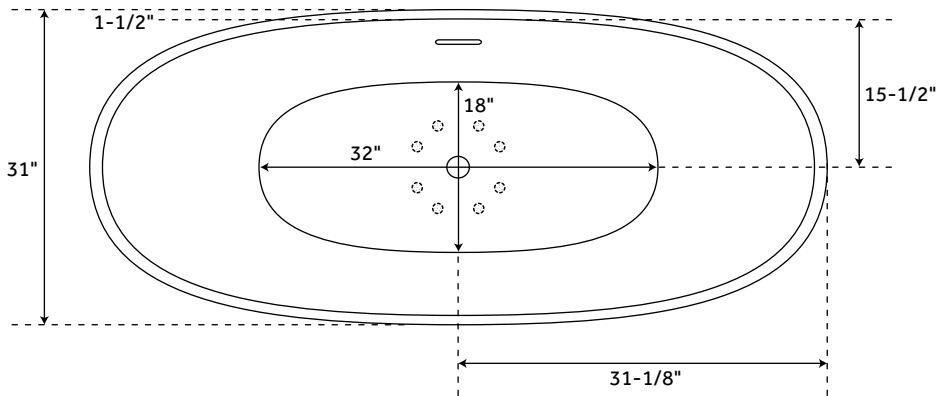
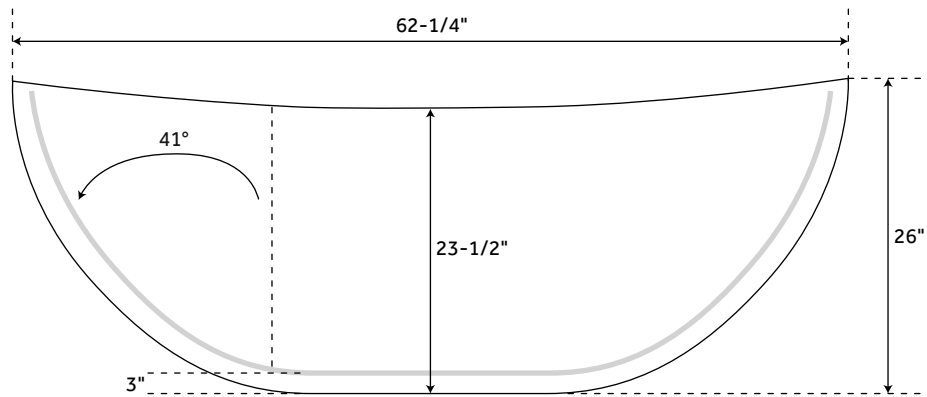
TEES FOR AIR JETS



62" TREECE AIR TUB

ACRYLIC FREESTANDING TUB

SKU: 948780



FEATURES

- Length: 62-1/4"
- Width: 31"
- Height: 26"
- Tub Slope: 41°
- Water Depth To Rim: 18"
- Water Depth To Overflow: 15"
- Water Capacity Without Overflow (Gallons): 37
- Tub Weight Uncrated (lbs): 88
- Tub Weight Crated (lbs): 198

PRODUCT IMAGE



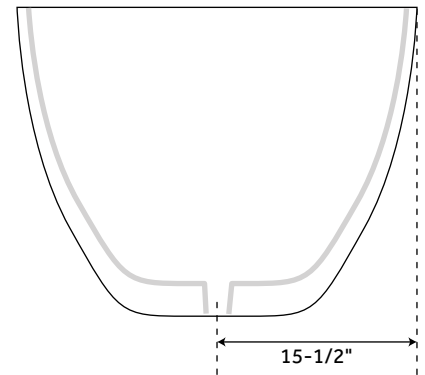
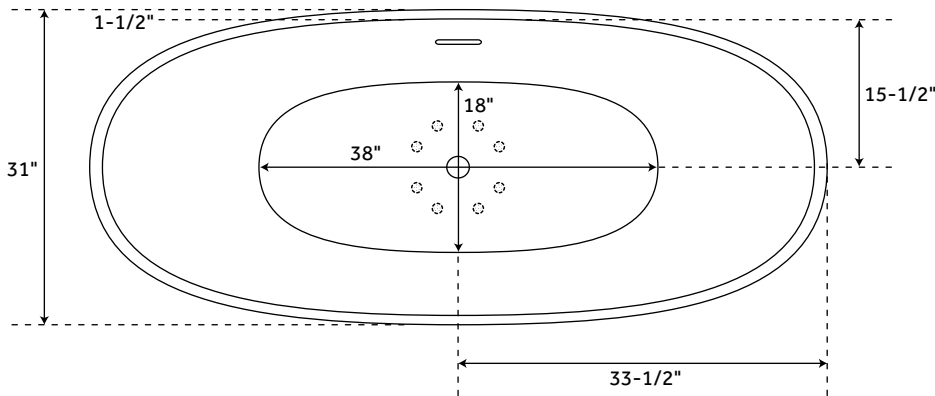
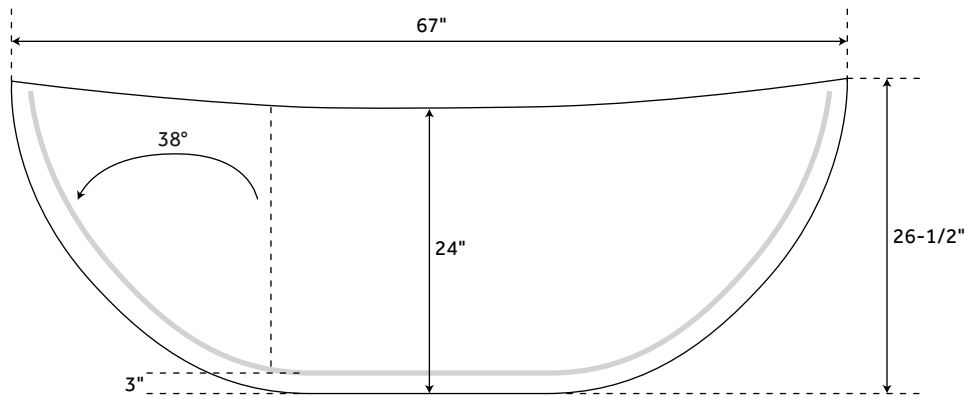
All dimensions and specifications are nominal and may vary. Use actual products for accuracy in critical situations.

PAGE 5

67" TREECE AIR TUB

ACRYLIC FREESTANDING TUB

SKU: 948780



FEATURES

- Length: 67"
- Width: 31"
- Height: 26-1/2"
- Tub Slope: 38°
- Water Depth to Rim: 17"
- Water Depth to Overflow: 14"
- Water Capacity Without Overflow (Gallons): 41
- Tub Weight Uncrated (lbs): 93
- Tub Weight Crated (lbs): 203

PRODUCT IMAGE



All dimensions and specifications are nominal and may vary. Use actual products for accuracy in critical situations.

PAGE 6