

BEASLEY

IN-WALL SHOWER VOLUME CONTROL TRIM

SKU: 948777



FEATURES

Material: Brass
Design: Traditional
Handle Type: Lever
Installation Type: Wall Mount
Assembly Required: No
Mounting Hardware Included: Yes
For Proper Installation, Requires Use
of a Thermostatic Valve and Trim
Optional Rough-In Valve

CONTENTS

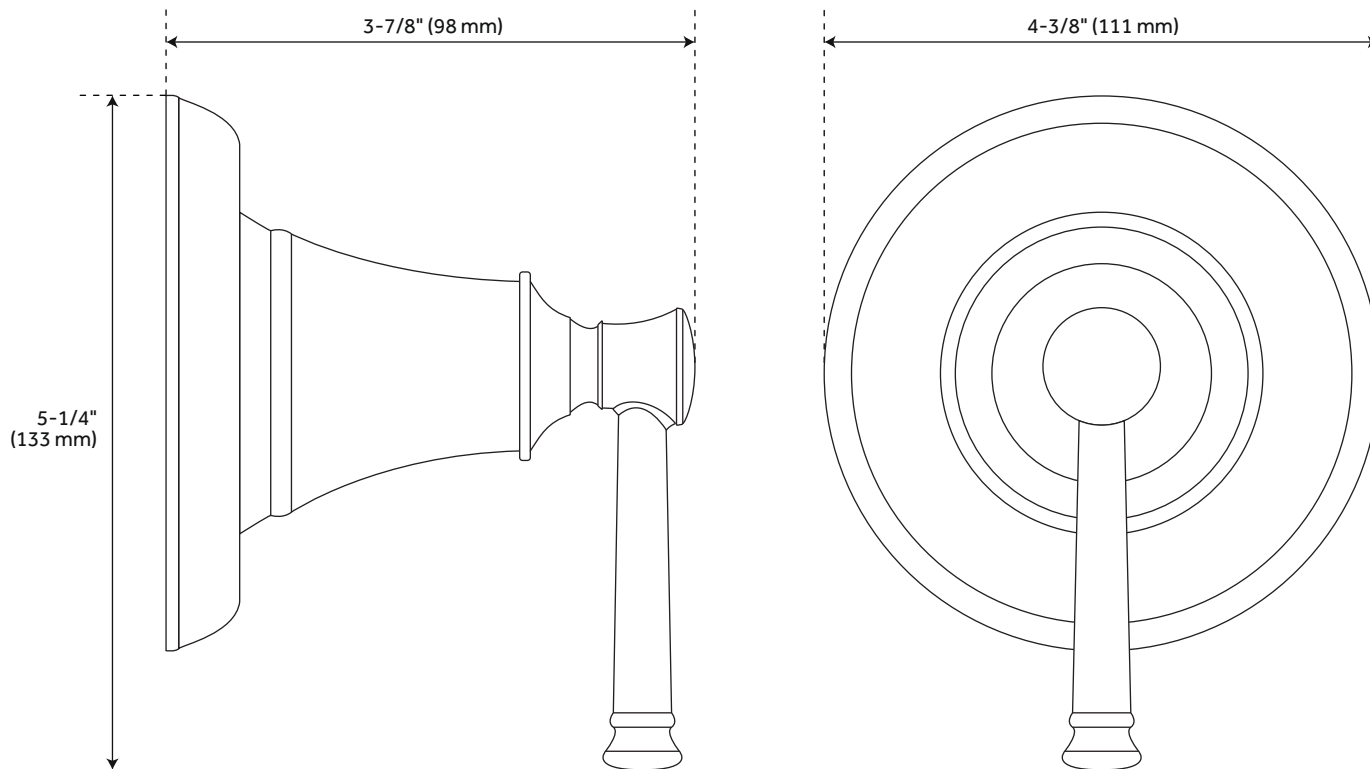
TRIM PAGE 2
ROUGH-IN VALVE PAGE 3

REVISED 04/27/2021

BEASLEY

IN-WALL SHOWER VOLUME CONTROL TRIM

SKU: 948777



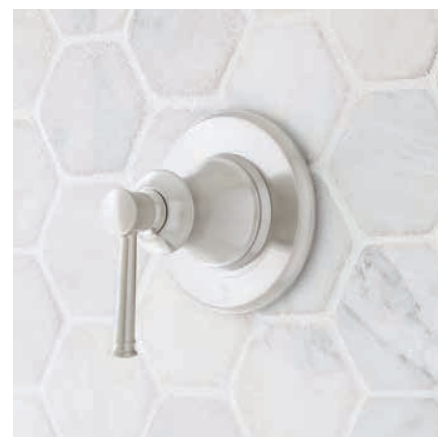
FEATURES

- Width: 4-3/8"
- Height: 5-1/4"
- Overall Projection: 3-7/8"
- Wall Thickness Range: 1" to 1-3/4"

CODES/STANDARDS

- cUPC
- ASME A112.18.1/CSA B125.1
- ICC/ANSI A117.1 (when installed according to ADA standards)
- Massachusetts Accepted

PRODUCT IMAGE



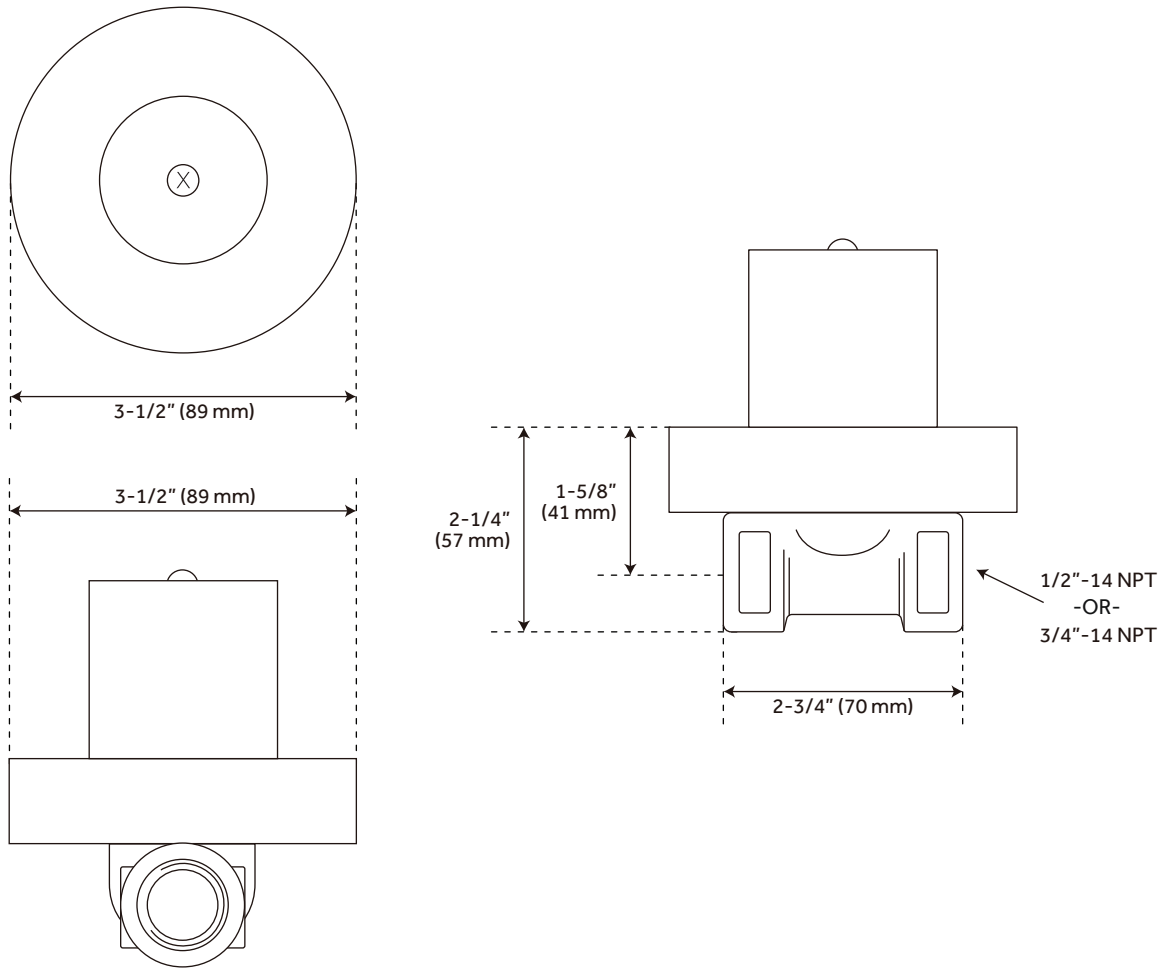
All dimensions and specifications are nominal and may vary. Use actual products for accuracy in critical situations.

PAGE 2
Code: SHBE9007

BEASLEY

OPTIONAL VOLUME CONTROL ROUGH-IN VALVE WITH 1/2" -OR- 3/4" CONNECTION

SKU: 948777



FEATURES

- Bronze Valve Body
- Ceramic Cartridge
- Recommended Valve Installation
Depth: 1-5/8" to 2-3/8"

CODES/STANDARDS

- cUPC
- ASME A112.18.1/CSA B125.1
- Massachusetts Accepted

PRODUCT IMAGE



All dimensions and specifications are nominal and may vary. Use actual products for accuracy in critical situations.

PAGE 3
Code: SH6020, SH6040