

BEASLEY

4-HOLE ROMAN TUB FILLER AND HAND SHOWER

SKU: 948676



FEATURES

Installation Type: Deck Mount
Handle Type: Lever
Tub Faucet Material: Brass
Handle Material: Metal
Hot and Cold Indicators: No
Drain Included: No
Ceramic Disc Cartridges: Yes
4-Hole Installation.
Lift Rod Diverter to Handshower.
Hand Shower Includes Factory Installed
Backflow Prevention Check Valve
Optional Rough-In Valve

CONTENTS

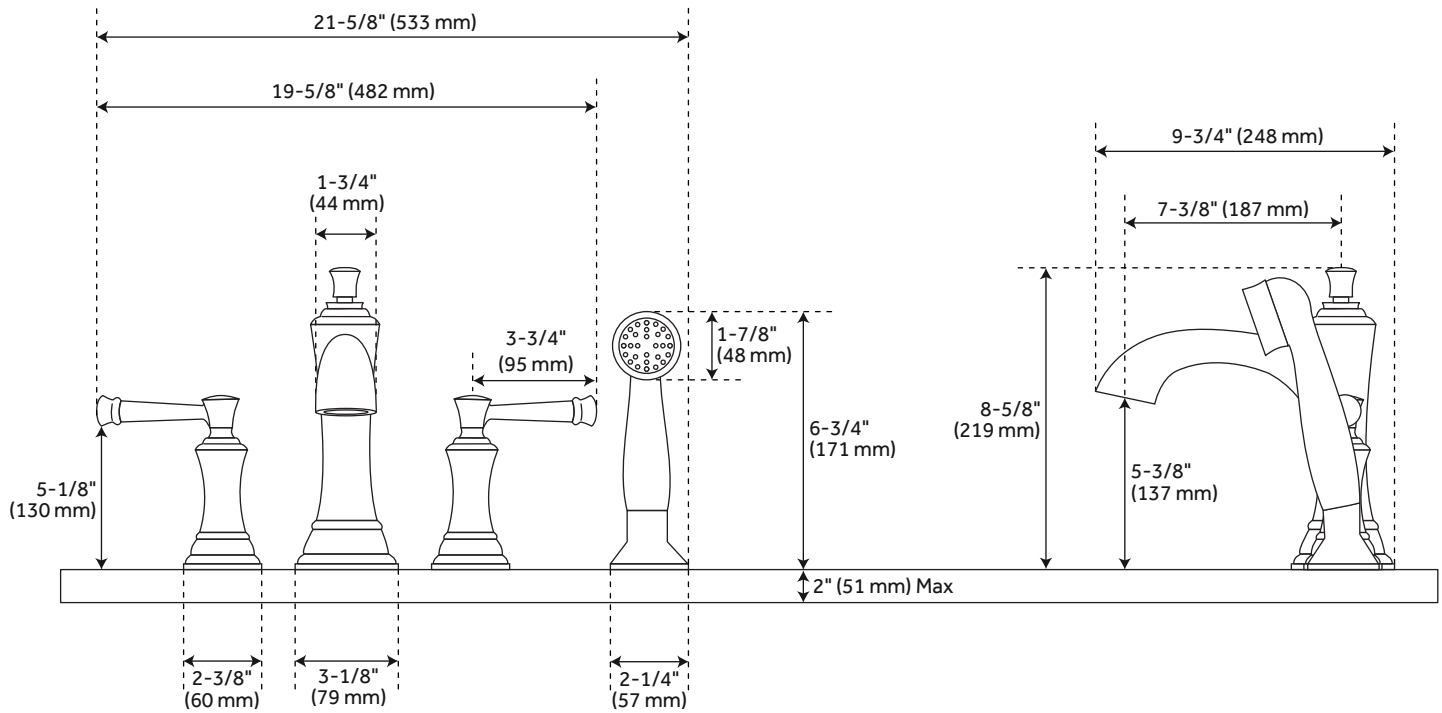
TUB FILLER PAGE 2
VALVE PAGE 3

REVISED 02/17/2021

BEASLEY

4-HOLE ROMAN TUB FILLER AND HAND SHOWER

SKU: 948676



FEATURES

Faucet Centers: 8"-16"
Max. Deck Thickness: 2"
Length: 19-5/8"
Width: 9-3/4"
Height: 8-5/8"
Height To Spout: 5-3/8"
Spout Reach: 7-3/8"
Spout Width: 1-3/4"
Hand Shower Hose Length: 61"

CODES/STANDARDS

cUPC
ASME A112.18.1/CSA B125.1
ASME A112.18.3
ADA Compliant (when installed
according to ADA Standards)
WaterSense
CALGreen
Massachusetts Accepted

PRODUCT IMAGE



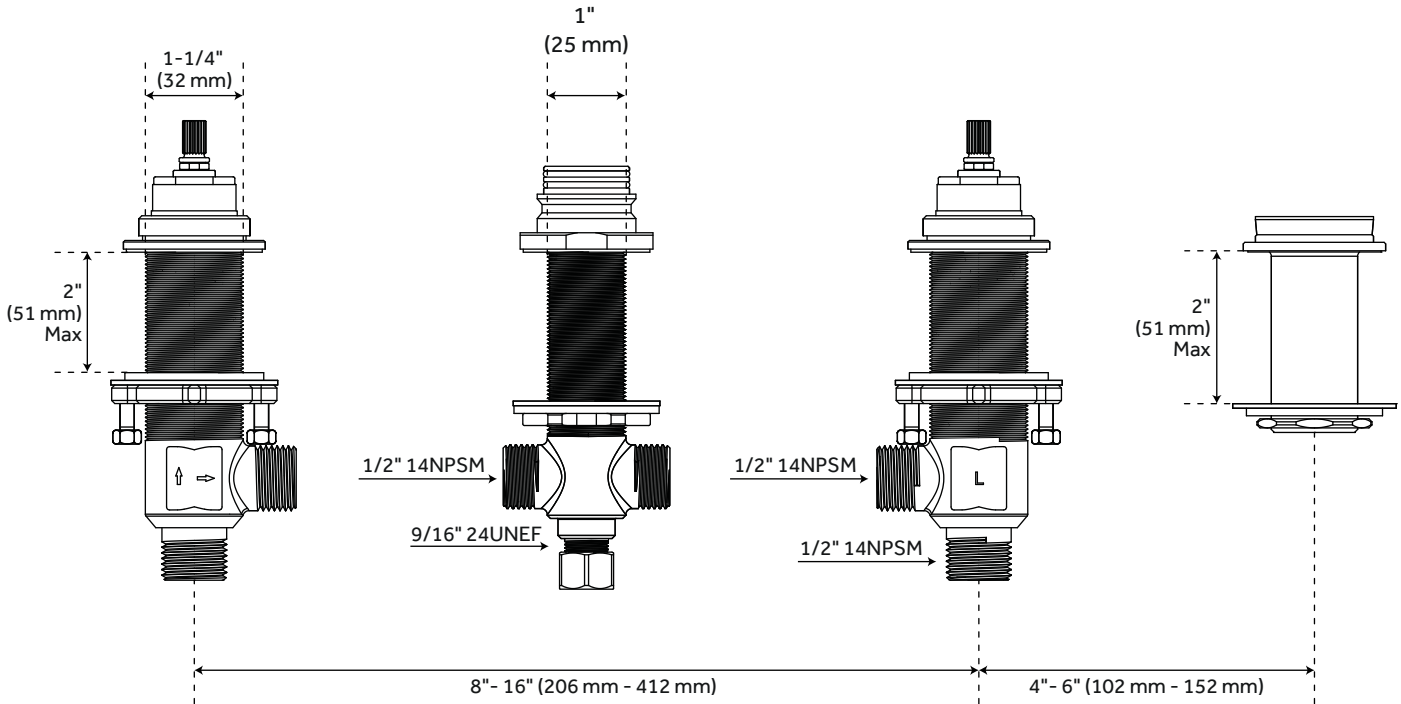
All dimensions and specifications are nominal and may vary. Use actual products for accuracy in critical situations.

PAGE 2
Code: SHBE4RTG

BEASLEY

OPTIONAL 4-HOLE ROMAN TUB FAUCET ROUGH-IN VALVE

SKU: 448005



FEATURES

- 4-Hole Installation
- Brass Coupling Nut
- Flow Rate: 8 GPM at 20 PSI
- Deck Thickness Max: 1.5" or Screws can be Removed to Accommodate Thicker Deck Installations Up to 2"

CODES/STANDARDS

- cUPC
- ASME A112.18.1/CSA B125.1
- Massachusetts Accepted

PRODUCT IMAGE



All dimensions and specifications are nominal and may vary. Use actual products for accuracy in critical situations.

PAGE 3
Code: SH674164