

RIGI

PRESSURE BALANCE SHOWER SET

SKU: 948667



CONTENTS

SHOWER SET	PAGE 2
ROUGH-IN VALVE	PAGE 3

FEATURES

Material: Brass
Shape: Square
Handle Type: Lever
Assembly Required: No
Installation Type: Wall
Shower Head Material: ABS
Shower Head Spray: Rainfall
Shower Arm Included: Yes
Shower Head Swivel: Yes
Metal Handle

Optional Rough-In Valve:

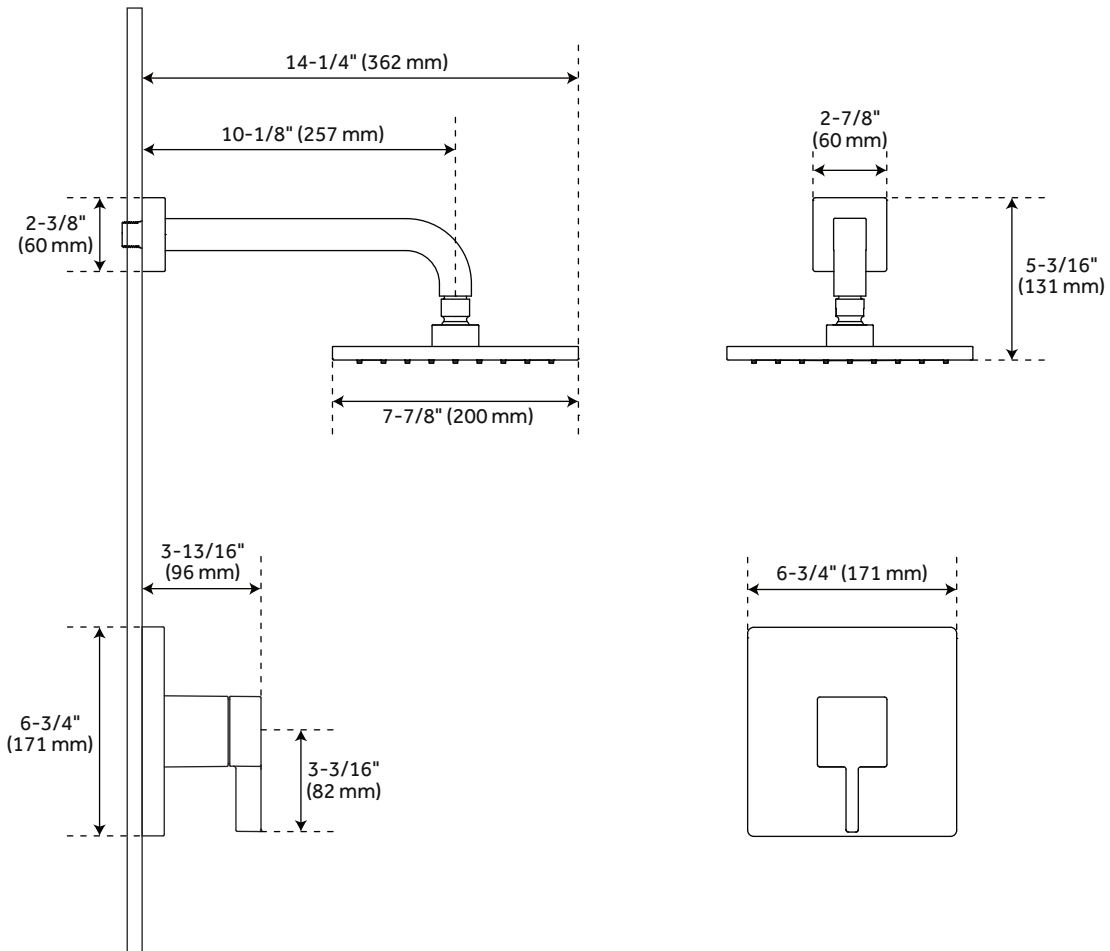
Pressure Balance Valve With Integral Stops
One-Piece Cartridge Design
for Ease of Maintenance
Back-to-Back Capability.
Ceramic Disc Valve Cartridge
Cast Bronze Valve Body
Adjustable Temperature Limit Stop
Quick Remove Plaster Guard
Easy Mounting Brackets

REVISED 04/05/2021

RIGI

PRESSURE BALANCE SHOWER SET

SKU: 948667



FEATURES

- Shower Head Length: 7-7/8"
- Shower Head Width: 7-7/8"
- Shower Arm Extension: 10-1/8"
- Shower Head IPS: 1/2"
- Valve Trim Width: 6-3/4"
- Valve Trim Height: 6-3/4"
- NPT Connection: 1/2"
- Shower Head Flow Rate:
1.8 gpm (6.8L/min) max @ 80 psi

CODES/STANDARDS

- cUPC
- ASME A112.18.1/CSA B125.1
- ICC/ANSI A117.1 (when installed
according to ADA standards)
- WaterSense
- CEC Listed
- Massachusetts Accepted

PRODUCT IMAGE



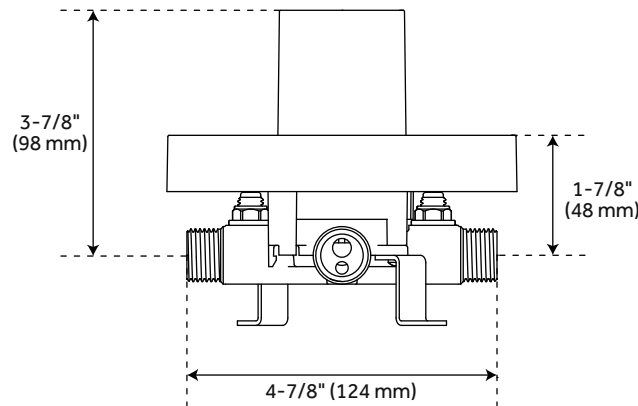
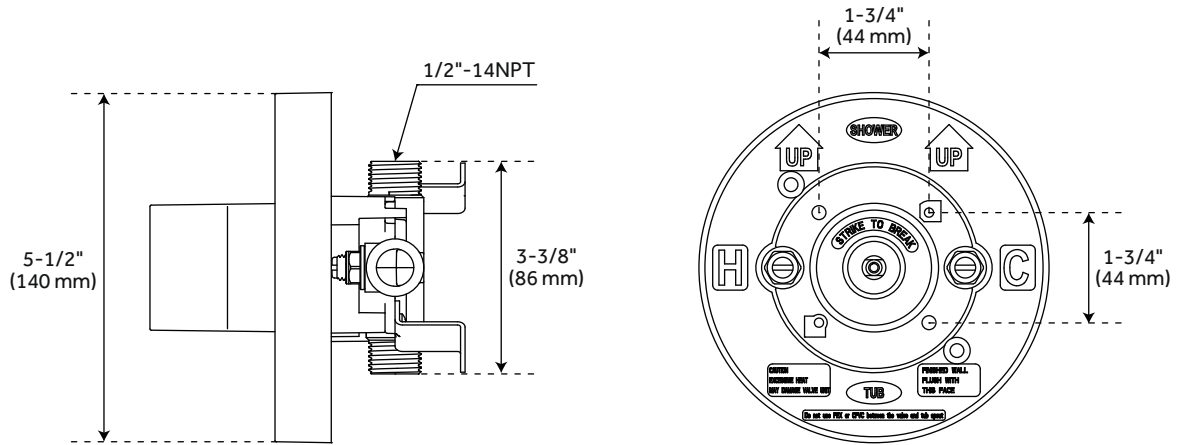
All dimensions and specifications are nominal and may vary. Use actual products for accuracy in critical situations.

PAGE 2
Code: SHRI8020G

RIGI

OPTIONAL PRESSURE BALANCE TUB AND SHOWER ROUGH IN VALVE

SKU: 948667



FEATURES

Material: Bronze
Connection: 1/2" - 14 NPT

CODES/STANDARDS

cUPC
ASME A112.18.1/CSA B125.1
Massachusetts Accepted

PRODUCT IMAGE



All dimensions and specifications are nominal and may vary. Use actual products for accuracy in critical situations.

PAGE 3
Code: SH4001