

PENDLETON

PRESSURE BALANCE SHOWER SET

SKU: 948663



FEATURES

- Material: Brass
- Shape: Round
- Handle Type: Lever
- Assembly Required: No
- Installation Type: Wall Mount
- Shower Head Material: ABS
- Shower Head Spray: Single Function
- Shower Arm Included: Yes
- Shower Head Swivel: Yes
- Metal Handle
- Optional Rough-In Valve

CONTENTS

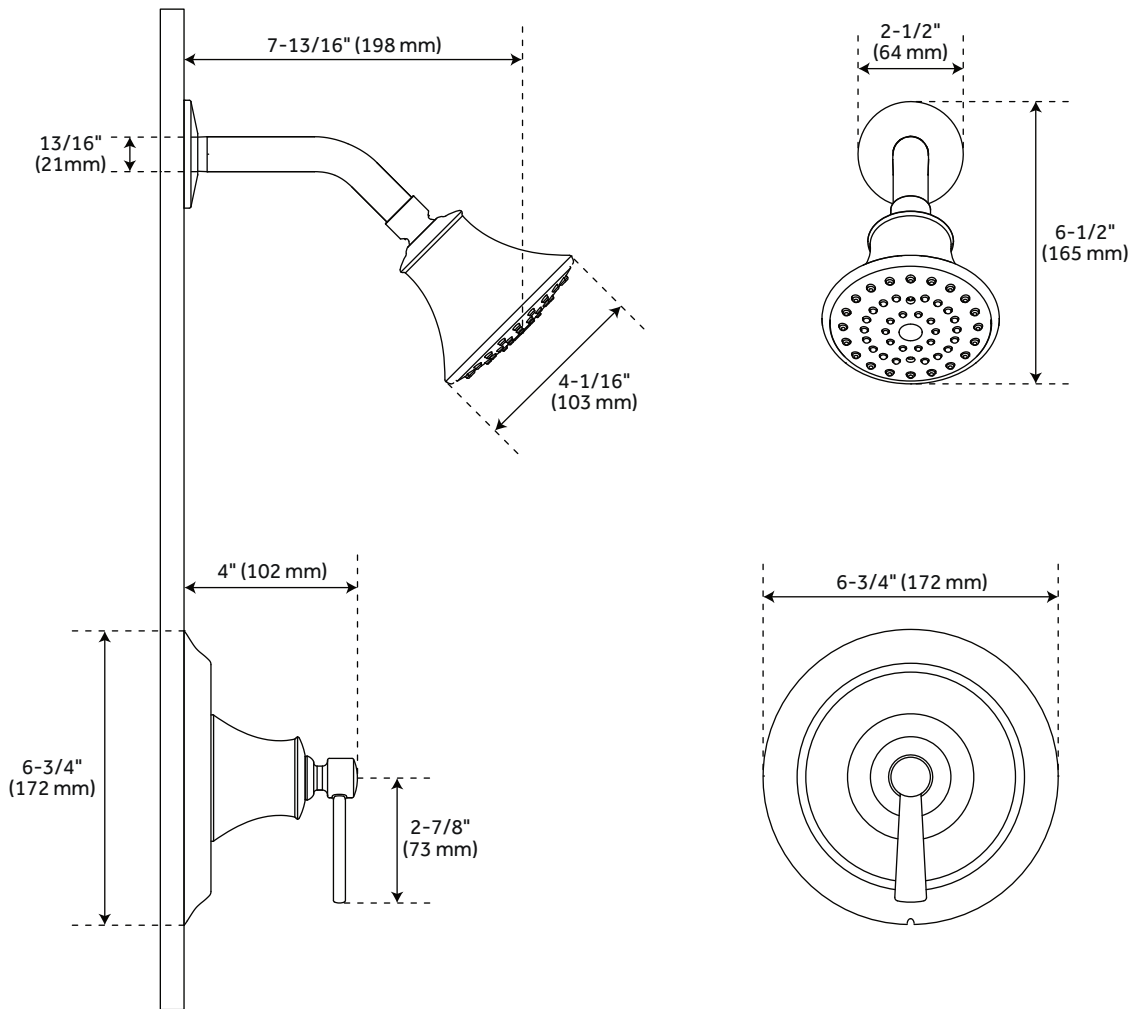
- SHOWER SET PAGE 2
- VALVE PAGE 3

REVISED 04/05/2021

PENDLETON

PRESSURE BALANCE SHOWER SET

SKU: 948663



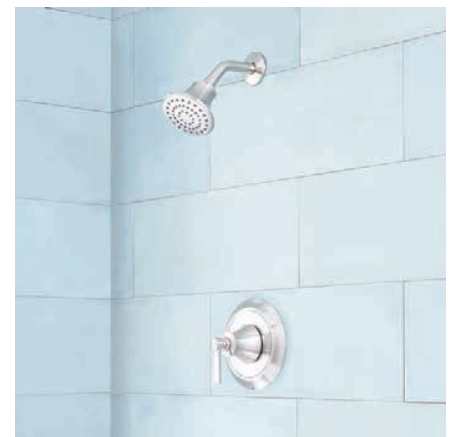
FEATURES

- Shower Head Diameter: 4-1/16"
- Shower Head IPS: 1/2"
- Valve Trim Width: 6-3/4"
- Valve Trim Height: 2-7/8"
- NPT Connection: 1/2"
- Shower Head Flow Rate:
1.8 gpm (6.8L/min) max @ 80 psi

CODES/STANDARDS

- cUPC
- ASME A112.18.1/CSA B125.1
- ICC/ANSI A117.1 (when installed
according to ADA standards)
- WaterSense
- CEC Listed
- Massachusetts Accepted

PRODUCT IMAGE



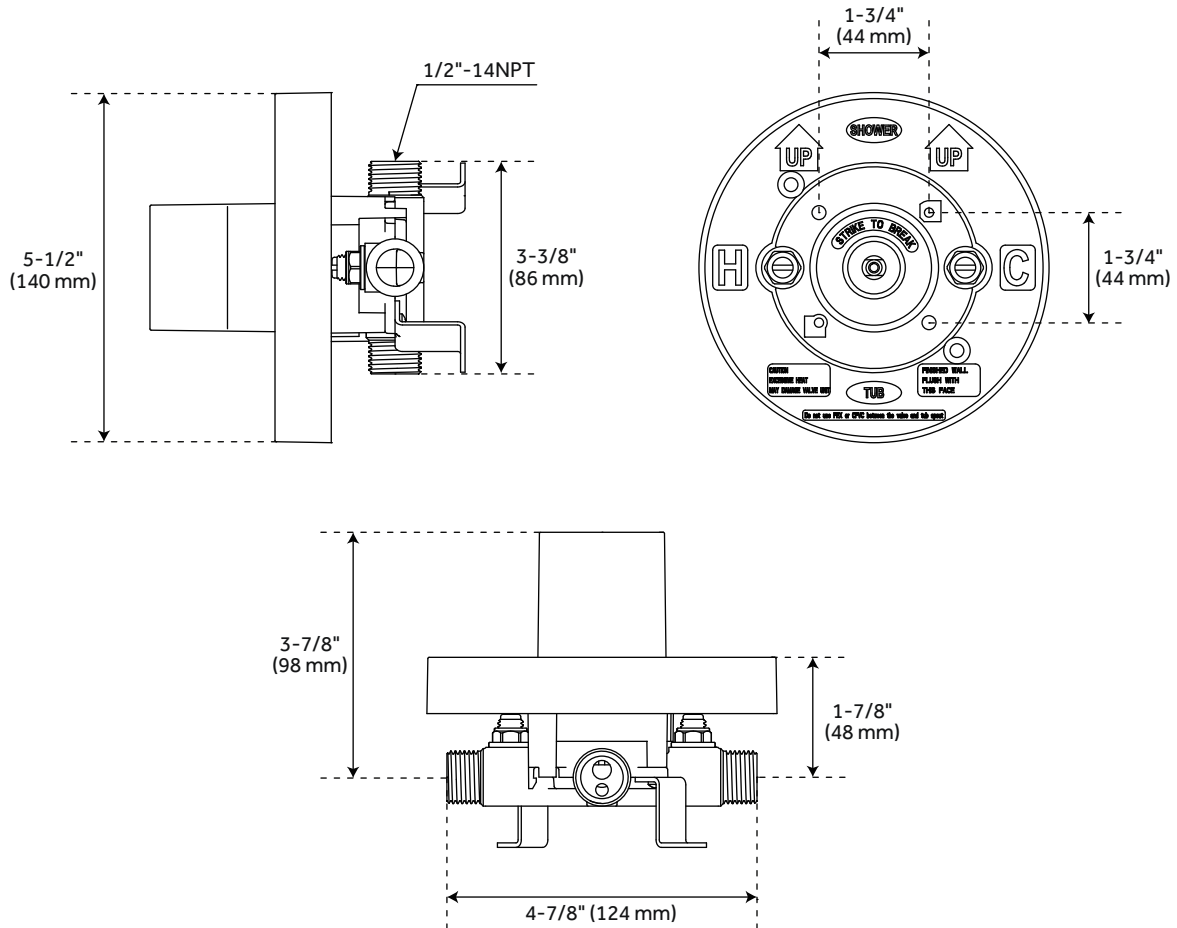
All dimensions and specifications are nominal and may vary. Use actual products for accuracy in critical situations.

PAGE 2
Code: SHPT8020G

PENDLETON

OPTIONAL PRESSURE BALANCE TUB AND SHOWER ROUGH IN VALVE

SKU: 948663



FEATURES

- Pressure Balance Valve
- With Integral Stops
- One-Piece Cartridge Design For Ease Of Maintenance
- Back-to-Back Capability
- Ceramic Disc Valve Cartridge
- Cast Bronze Valve Body
- Adjustable Temperature Limit Stop
- Quick Remove Plaster Guard
- Easy Mounting Brackets

CODES/STANDARDS

- cUPC
- ASME A112.18.1/CSA B125.1
- Massachusetts Accepted

PRODUCT IMAGE



All dimensions and specifications are nominal and may vary. Use actual products for accuracy in critical situations.

PAGE 3
Code: SH4001