

HIBISCUS

SINGLE-HOLE VESSEL FAUCET

SKU: 948603



FEATURES

- Installation Type: Vessel
- Handle Type: Lever
- Overflow Hole: Yes
- Design: Modern
- Hot And Cold Indicators: No
- Drain Included: Yes
- Drain is Only Compatible With
Sinks That Have an Overflow
- Metal Handle

CONTENTS

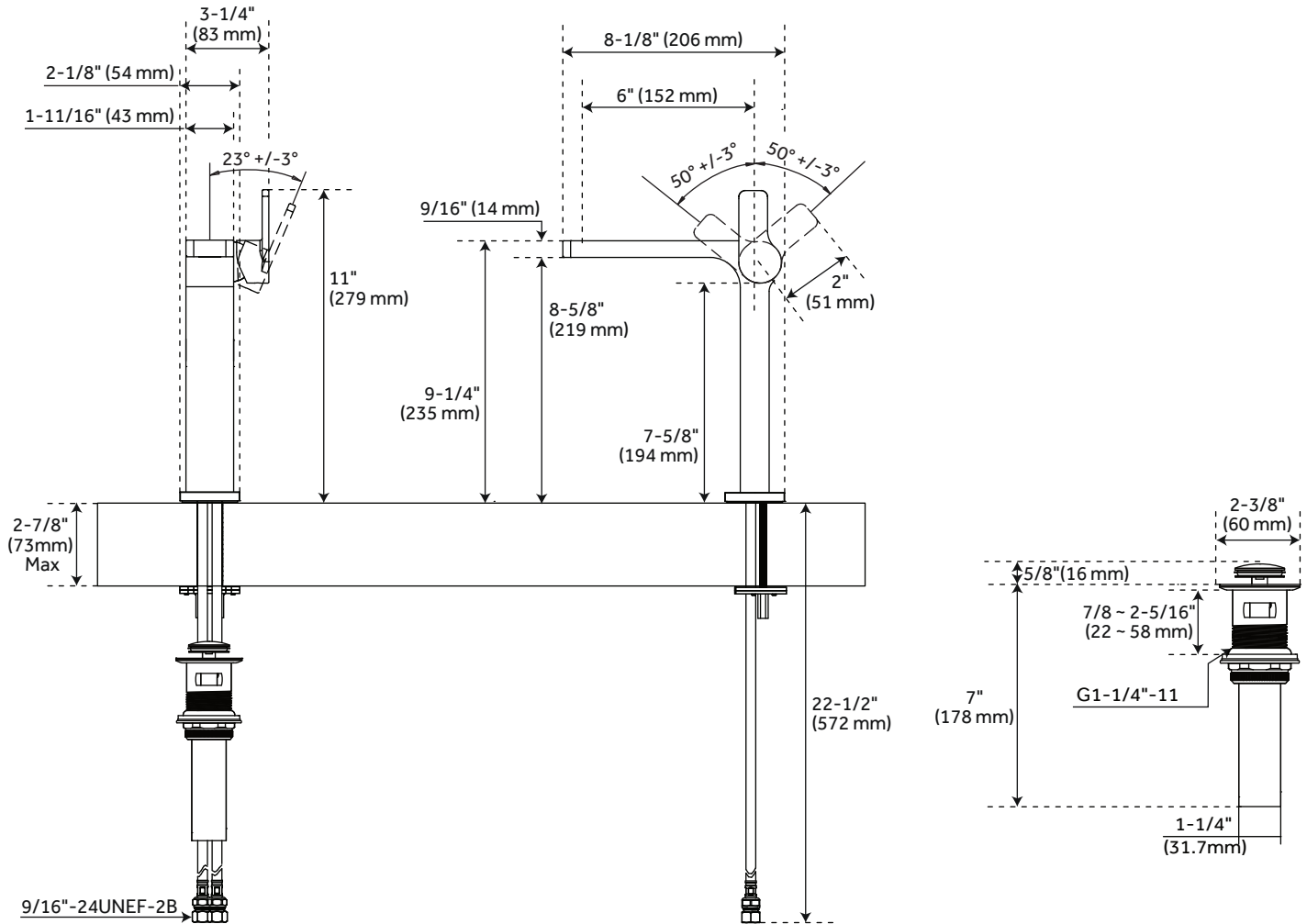
FAUCET PAGE 2

REVISED 04/05/2021

HIBISCUS

SINGLE-HOLE VESSEL FAUCET

SKU: 948603

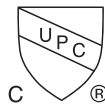


FEATURES

- Max. Countertop Thickness: 2-7/8"
- Length: 3-1/4"
- Width: 8-1/8"
- Height: 11"
- Height to Spout: 8-5/8"
- Spout Reach: 6"
- Base Plate Length: 2-1/8"
- Base Plate Width: 2-1/8"
- Handle Length: 2"
- Height to Bottom of Handle: 7-5/8"
- IPS: 1/2"
- Fits Drain Hole Size: 1-1/2"
- Maximum Flow Rate:
1.2 gpm (4.5L/min) max @ 60 psi

CODES/STANDARDS

- cUPC
- ASME A112.18.1/CSA B125.1
- NSF/ANSI 61
- NSF/ANSI 372
- ICC/ANSI A117.1 (when installed
according to ADA standards)
- WaterSense
- CEC Listed
- Massachusetts Accepted



PRODUCT IMAGE



All dimensions and specifications are nominal and may vary. Use actual products for accuracy in critical situations.

PAGE 2
Code: SHWSCHB100L