

# 32" ORTEGA

## LOW-DIVIDE DOUBLE-BOWL STAINLESS STEEL UNDERMOUNT SINK

SKU: 948565



### CONTENTS

UNDERMOUNT SINK .....	PAGE 2
OPTIONAL GRID .....	PAGE 3

### FEATURES

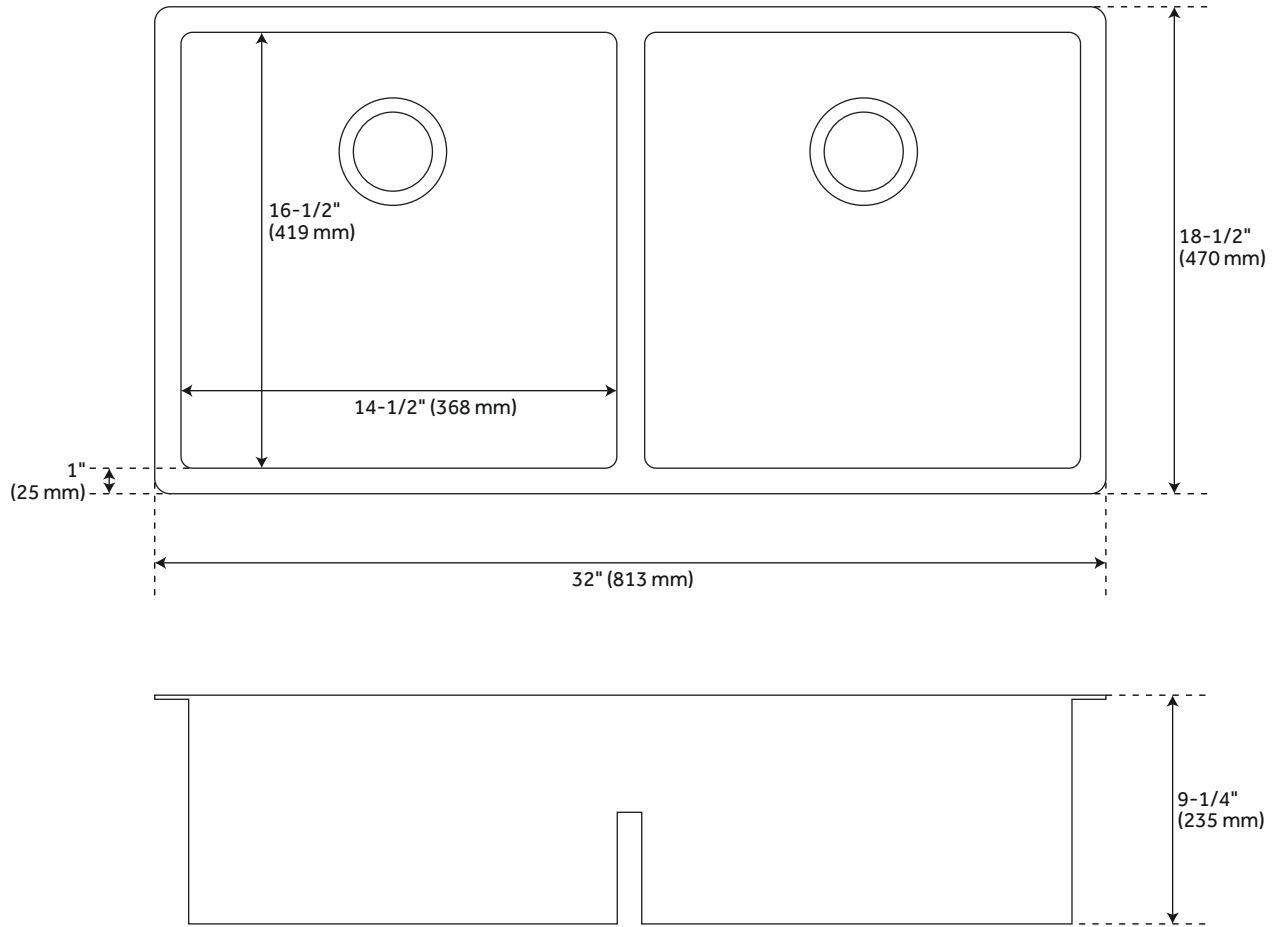
- Material: Stainless Steel
- Basin Split: 50/50
- Shape: Rectangle
- Sink Installation: Undermount
- Faucet Centers: No Faucet Hole
- Number of Basins: 2
- Product Color: Stainless Steel
- Metal Gauge/Thickness: 16 Gauge
- Faucet Included: No
- Faucet Holes: No Faucet Hole
- Drain Included: Optional
- Exterior Treatment: Smooth
- Interior Treatment: Smooth
- It is Recommended to Have the Sink at the Job Site Before Cutting Cabinet or Counter Top
- Features a Low Center Divide for Maneuvering Large Pots and Pans
- Sound Absorption Pads on the Underside of Sink
- Has an Undercoating to Prevent Condensation Buildup

REVISED 02/19/2021

# 32" ORTEGA

## LOW-DIVIDE DOUBLE-BOWL STAINLESS STEEL UNDERMOUNT SINK

SKU: 948565



### FEATURES

Length: 32"  
Width: 18-1/2"  
Height: 9-1/4"  
Basin Length: 14-1/2"  
Basin Width: 16-1/2"  
Water Depth to Rim: 9"  
Rim Thickness: 1"

### CODES/STANDARDS

cUPC  
ASME A112.19.3/CSA B45.4  
Massachusetts Accepted

### PRODUCT IMAGE



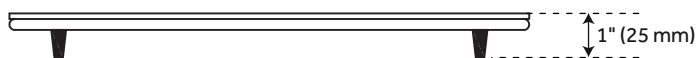
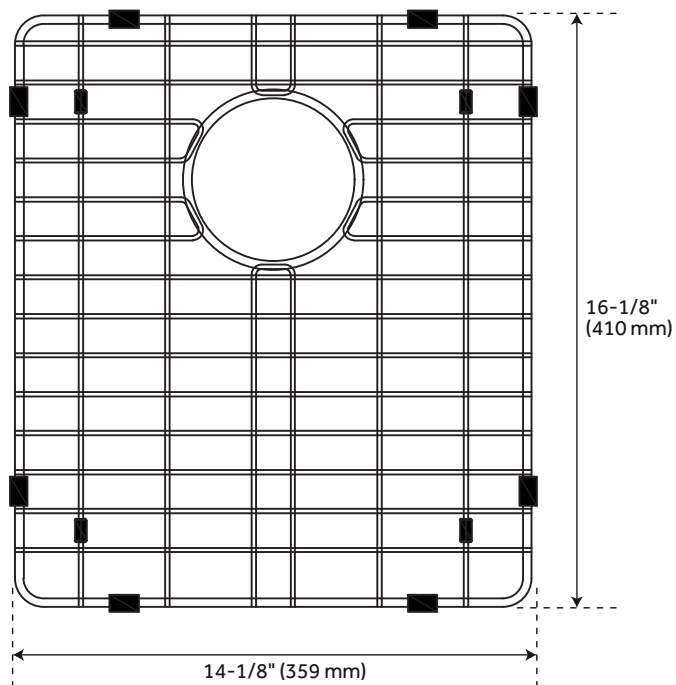
All dimensions and specifications are nominal and may vary. Use actual products for accuracy in critical situations.

PAGE 2  
Code: SHORURB3218E

# ORTEGA

## OPTIONAL SINK GRID

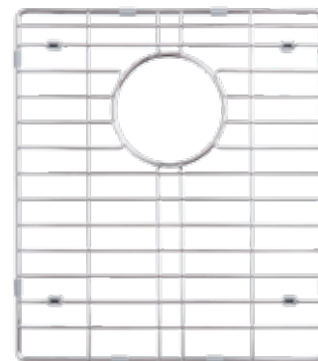
SKU: 951159



### FEATURES

Material: Stainless Steel  
Length: 16-1/8"  
Width: 14-1/8"  
Height: 1"

### PRODUCT IMAGE



All dimensions and specifications are nominal and may vary. Use actual products for accuracy in critical situations.

PAGE 3  
Code: SH1416