

# 24" ORTEGA

## STAINLESS STEEL UNDERMOUNT KITCHEN SINK - REAR DRAIN

SKU: 948561



### FEATURES

- Material: Stainless Steel
- Basin Split: Single
- Shape: Rectangle
- Sink Installation: Undermount
- Faucet Centers: No Faucet Hole
- Number of Basins: 1
- Product Color: Stainless Steel
- Metal Gauge/Thickness: 16 Gauge
- Faucet Included: No
- Faucet Holes: No Faucet Hole
- Drain Included: Optional
- Exterior Treatment: Smooth
- Interior Treatment: Smooth
- It is Recommended to Have the Sink at  
the Job Site Before Cutting  
Cabinet or Counter Top
- Sound Absorption Pads on the Underside  
of Sink
- Has an Undercoating to Prevent  
Condensation Buildup

### CONTENTS

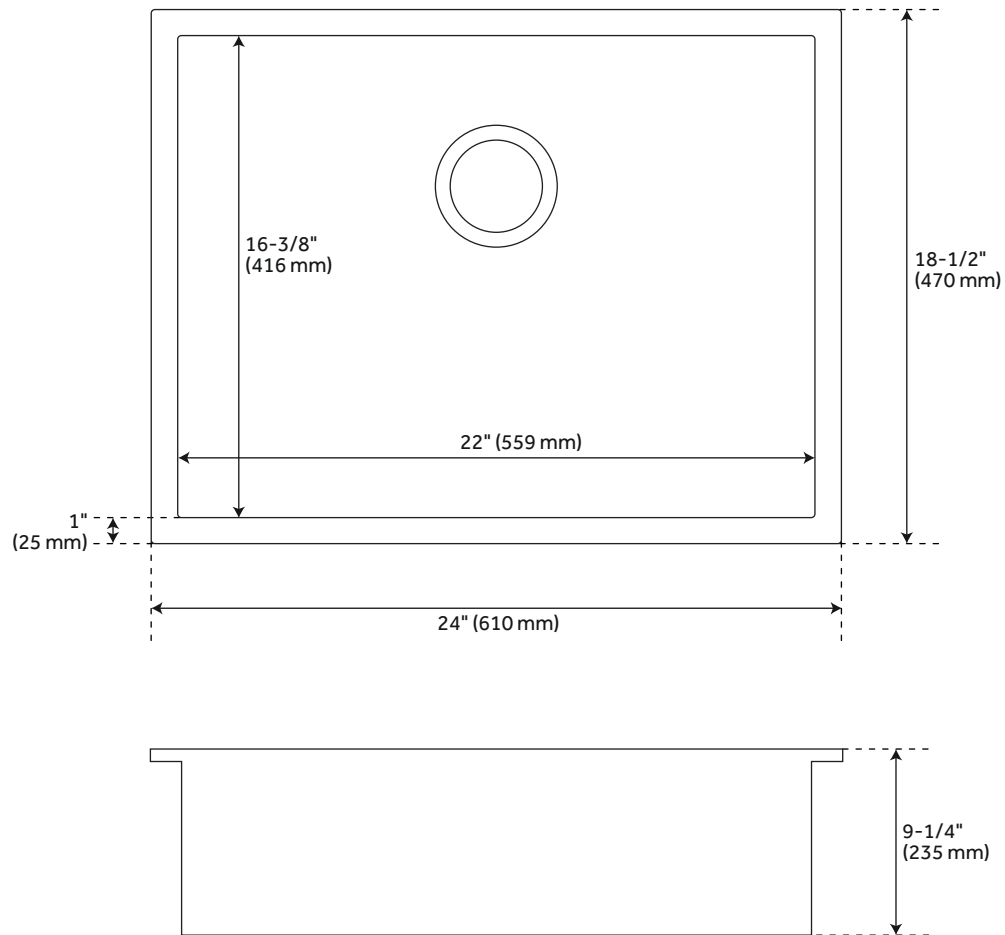
UNDERMOUNT SINK .....	PAGE 2
OPTIONAL GRID .....	PAGE 3

REVISED 11/16/2020

# 24" ORTEGA

STAINLESS STEEL UNDERMOUNT KITCHEN SINK - REAR DRAIN

SKU: 948561



## FEATURES

Length: 24"  
Width: 18-1/2"  
Height: 9-1/4"  
Basin Length: 22"  
Basin Width: 16-3/8"  
Water Depth to Rim: 9"  
Rim Thickness: 1"

## CODES/STANDARDS

cUPC  
ASME A112.19.3/CSA B45.4  
Massachusetts Accepted

## PRODUCT IMAGE



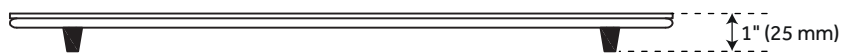
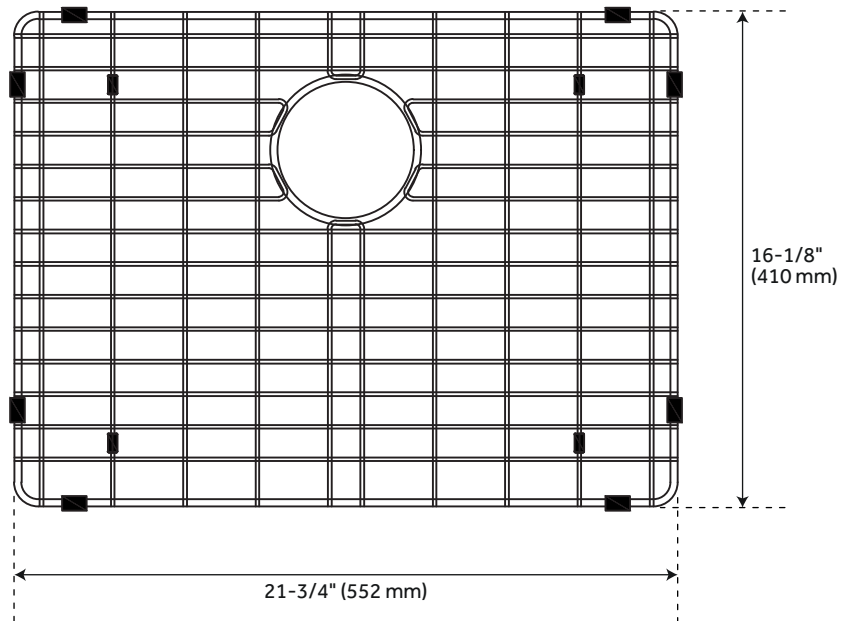
All dimensions and specifications are nominal and may vary. Use actual products for accuracy in critical situations.

PAGE 2  
Code: SHORUC2418

# ORTEGA

## SINK GRID FOR 24" STAINLESS STEEL SINK

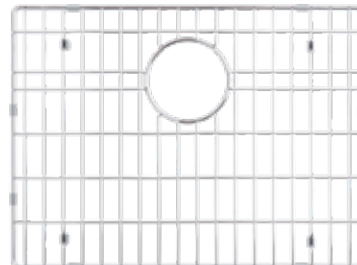
SKU: 951158



### FEATURES

Material: Stainless Steel  
Length: 16-1/8"  
Width: 21-3/4"  
Height: 1"

### PRODUCT IMAGE



All dimensions and specifications are nominal and may vary. Use actual products for accuracy in critical situations.

PAGE 3  
Code: SH2116