

# PINECREST

## THERMOSTATIC SHOWER VALVE WITH LEVER HANDLE

SKU: 948552



### FEATURES

- Material: Brass
- Shape: Square
- Handle Type: Lever
- Features: Thermostatic
- Assembly Required: No
- Design: Modern
- Installation Type: Wall
- Mounting Hardware Included: Yes
- Metal Handle
- For Proper Installation, Requires Use of a Thermostatic Valve and Trim
- Temperature Outlet Factory Preset to 104 Degrees Fahrenheit
- Temperature can be Easily Adjusted Up and Down to User's Comfort Level
- Scald Guard Protection
- High Temperature Limit Stop
- Thermostatic Technology Keeps Shower Temperature Within 1 Degree Celsius
- Optional Rough-In Valve

### CONTENTS

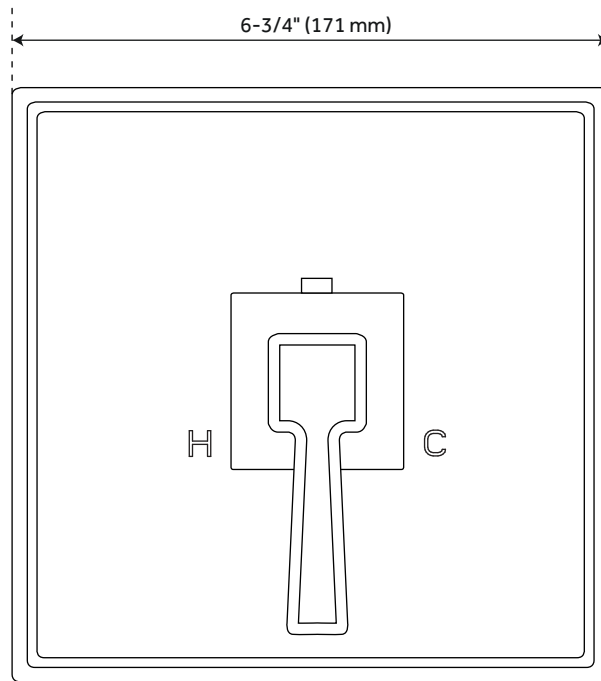
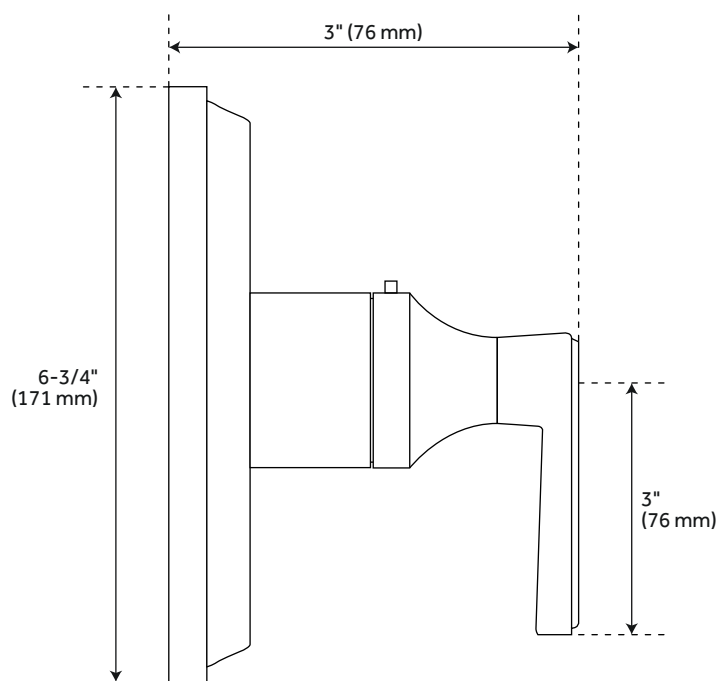
TRIM .....	PAGE 2
VALVE .....	PAGE 3

REVISED 10/05/2020

# PINECREST

## THERMOSTATIC SHOWER VALVE WITH LEVER HANDLE

SKU: 948552



### FEATURES

Width: 6-3/4"  
Height: 6-3/4"  
Depth: 3"

### CODES/STANDARDS

cUPC  
ASME A112.18.1/CSA B125.1  
Massachusetts Accepted

### PRODUCT IMAGE



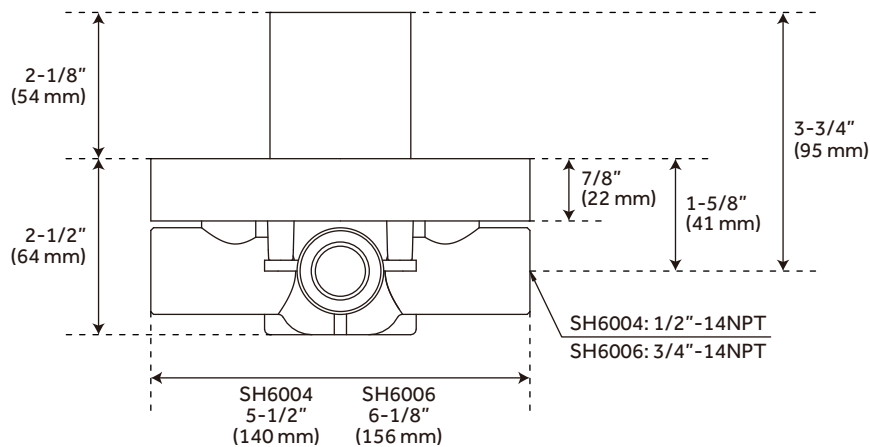
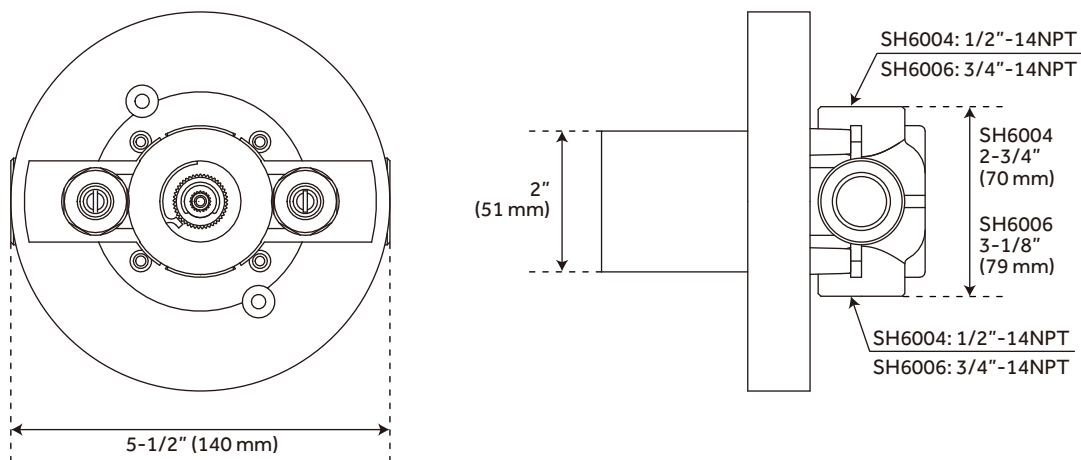
All dimensions and specifications are nominal and may vary. Use actual products for accuracy in critical situations.

PAGE 2  
Code: SHPC9009LH, SHPCTSTLEV

# PINECREST

## OPTIONAL THERMOSTATIC VALVE WITH 1/2" -OR- 3/4" CONNECTION

SKU: 948552



### FEATURES

- Bronze Valve Body
- Ceramic Cartridge
- Integral Water Stops and Check Valve
- Recommended Valve Installation Depth 1-5/8" to 2-3/8"
- Must Be Installed in Accordance With Provided Installation Instructions

### CODES/STANDARDS

- cUPC
- ASME A112.18.1/CSA B125.1
- ASSE 1016 Type T
- Massachusetts Accepted

### PRODUCT IMAGE



All dimensions and specifications are nominal and may vary. Use actual products for accuracy in critical situations.

PAGE 3  
Code: SH6004, SH6006