

32" WORKSPACE

UNDERMOUNT SINK -BRUSHED STAINLESS STEEL

SKU: 948496



FEATURES

- Material: Stainless Steel
 - Basin Split: Single
 - Shape: Rectangle
 - Sink Installation: Undermount
 - Faucet Centers: No Faucet Hole
 - Number of Basins: 1
 - Product Color: Stainless Steel
 - Type 304 stainless steel
 - Metal Gauge/Thickness: 16
 - Faucet Included: No
 - Faucet Holes: No Faucet Hole
 - Drain Placement: Rear-Center
 - Drain Included: Optional
 - Mounting Hardware Included: Yes
- It is recommended to have the sink at the job site before cutting cabinet or counter top
- Sound absorption pads on the underside of sink
- Has an undercoating to prevent condensation buildup
- Included a flat colander plate, bottom basin grid and wood cutting board

CONTENTS

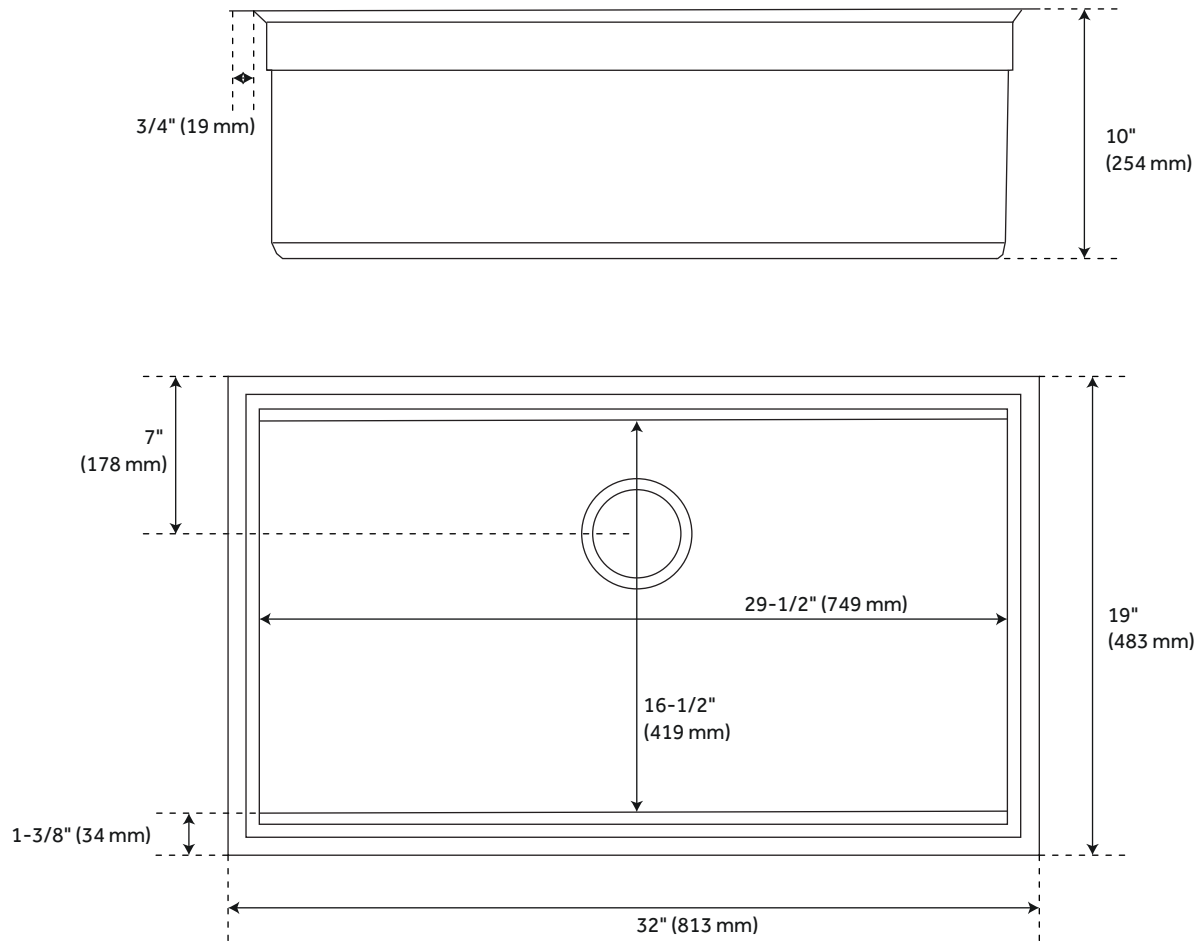
SINK	PAGE 2
COLANDER	PAGE 3
CUTTING BOARD	PAGE 4
SINK GRID	PAGE 5
PLASTIC BASKET	PAGE 6
METAL BASKET	PAGE 7
DRAIN MAT	PAGE 8

REVISED 08/16/2021

32" WORKSPACE

UNDERMOUNT SINK - BRUSHED STAINLESS STEEL

SKU: 948496



FEATURES

Length: 32"
Width: 18"
Height: 10"
Basin Length: 29-1/2"
Basin Width: 16-1/2"
Fits Drain Hole Size: 3-1/2"

CODES/STANDARDS

cUPC
ASME A112.19.3/CSA B45.4
Massachusetts Accepted

PRODUCT IMAGE



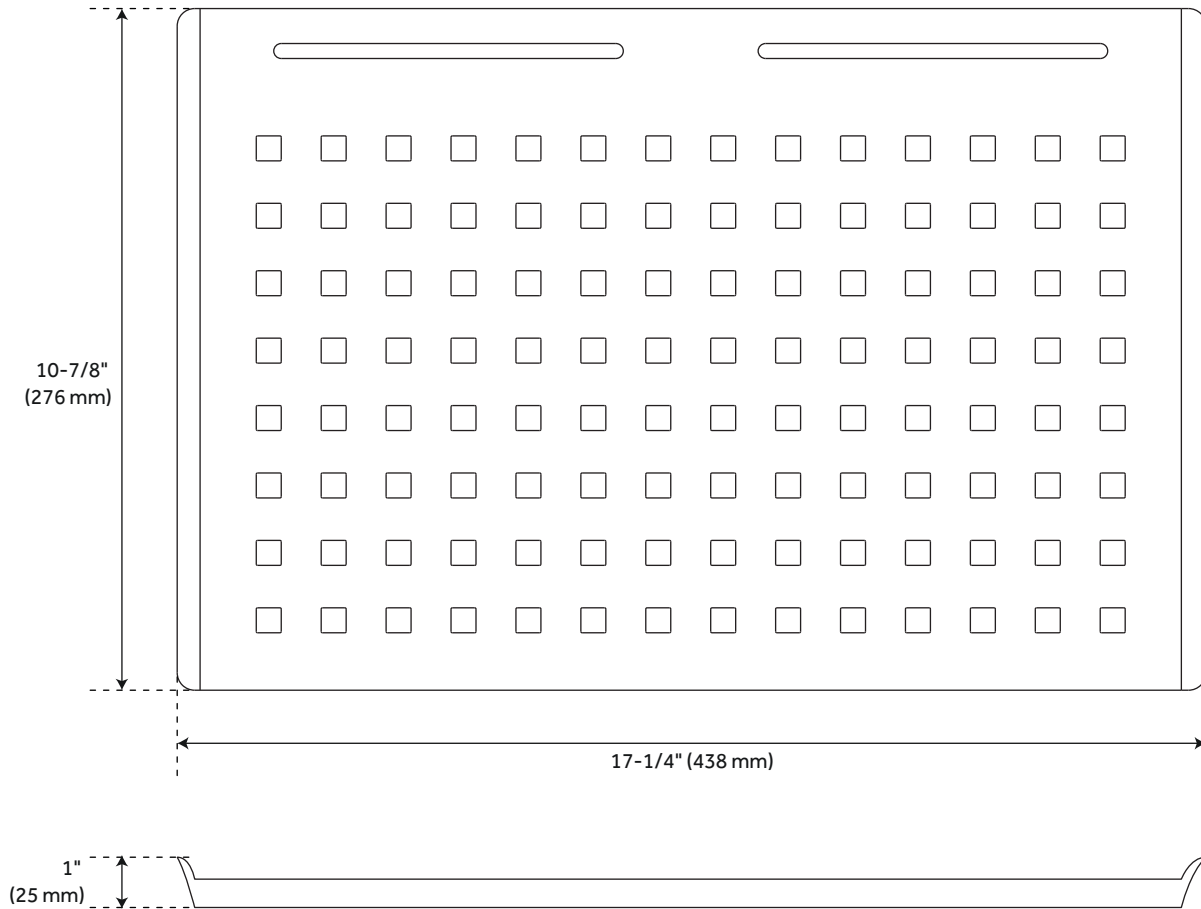
All dimensions and specifications are nominal and may vary. Use actual products for accuracy in critical situations.

PAGE 2
CODE: SHWORK1BZ

COLANDER

FOR 32" WORKSPACE STAINLESS STEEL UNDERMOUNT KITCHEN SINK

SKU: 948496



FEATURES

Material: Metal
Length: 17-1/4"
Width: 10-7/8"
Height: 1"

PRODUCT IMAGE



All dimensions and specifications are nominal and may vary. Use actual products for accuracy in critical situations.

PAGE 3
CODE: SHWORKMC

CUTTING BOARD

FOR 32" WORKSPACE STAINLESS STEEL UNDERMOUNT KITCHEN SINK

SKU: 948496



FEATURES

Material: Wood
Length: 16-3/8"
Width: 10-5/8"

PRODUCT IMAGE



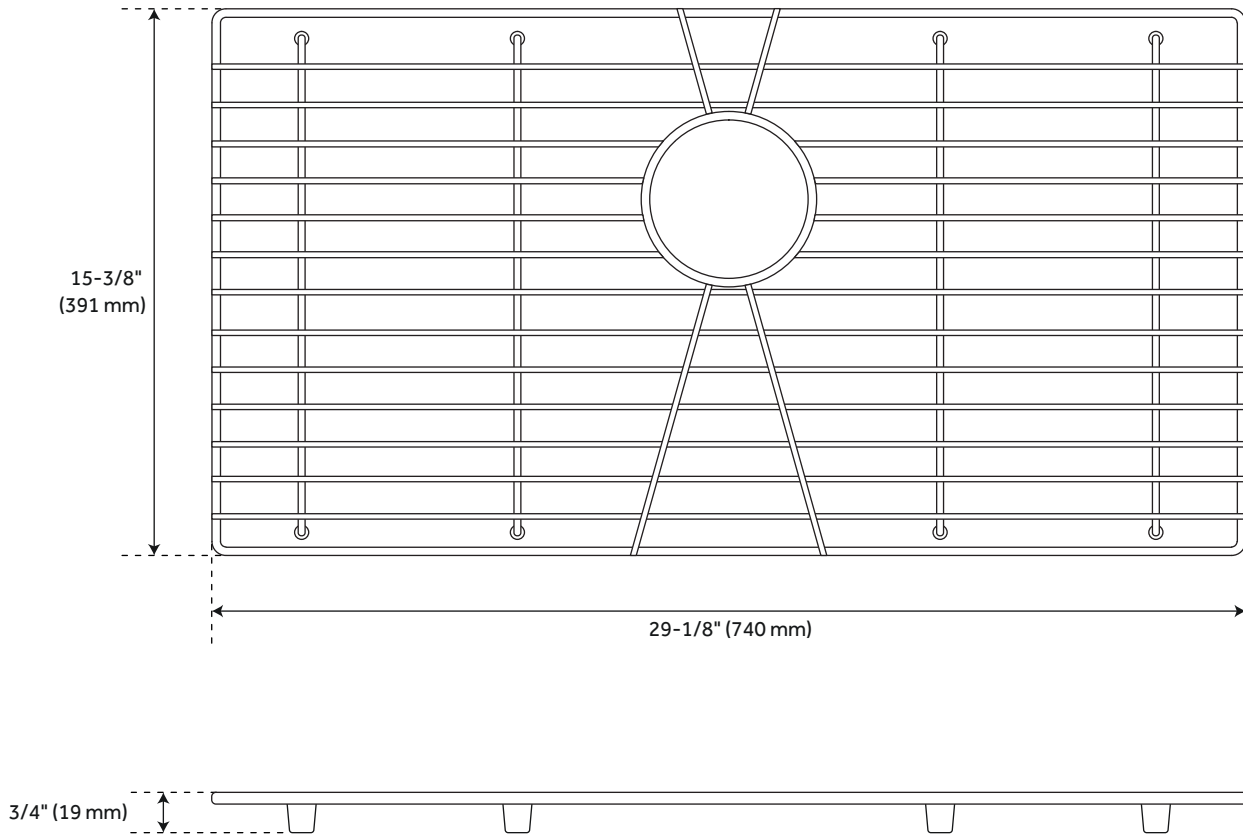
All dimensions and specifications are nominal and may vary. Use actual products for accuracy in critical situations.

PAGE 4
CODE: SHWORKCB

SINK GRID

FOR 32" WORKSPACE STAINLESS STEEL UNDERMOUNT KITCHEN SINK

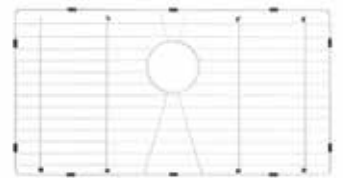
SKU: 948496



FEATURES

Material: Stainless Steel
Length: 29-1/8"
Width: 15-3/8"
Height: 3/4"

PRODUCT IMAGE



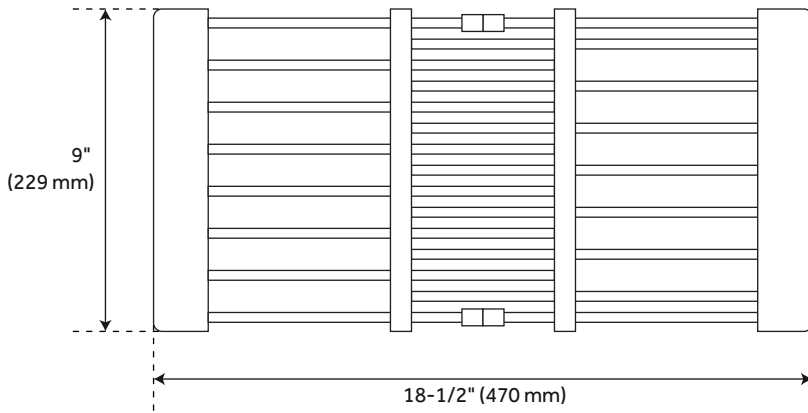
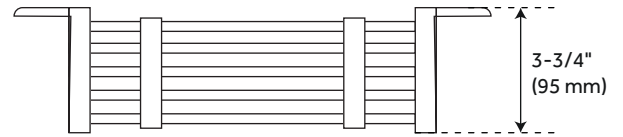
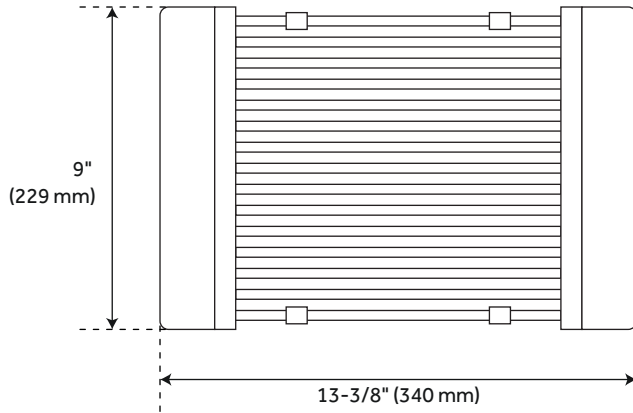
All dimensions and specifications are nominal and may vary. Use actual products for accuracy in critical situations.

PAGE 5
CODE: SHWORKGR

PLASTIC RINSE BASKET

FOR 32" WORKSPACE STAINLESS STEEL UNDERMOUNT KITCHEN SINK

SKU: 948496



FEATURES

- Material: Plastic
- Length Open: 18-1/2"
- Width Open: 9"
- Height Open: 3-3/4"
- Length Closed: 13-3/8"
- Width Closed: 9"
- Height Closed: 3-3/4"

PRODUCT IMAGE



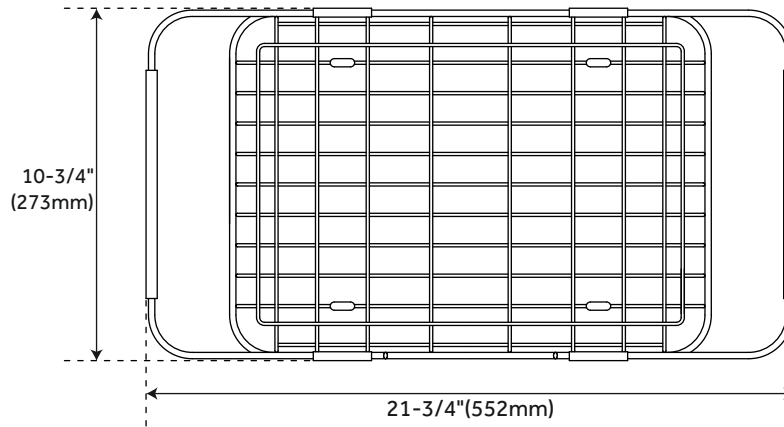
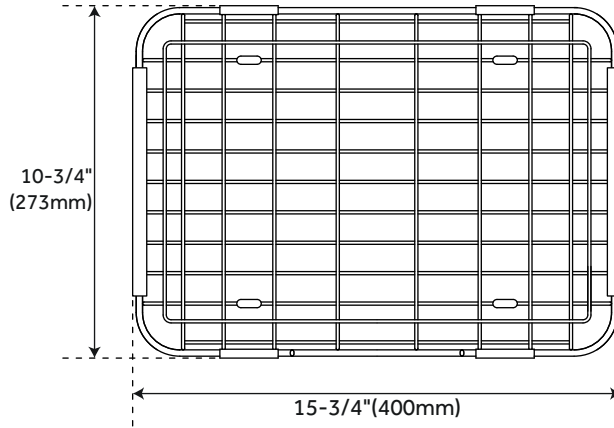
All dimensions and specifications are nominal and may vary. Use actual products for accuracy in critical situations.

PAGE 6
CODE: SHWORKPB

METAL RINSE BASKET

FOR 32" WORKSPACE STAINLESS STEEL UNDERMOUNT KITCHEN SINK

SKU: 948496



FEATURES

- Length Open: 21-3/4"
- Width Open: 10-3/4"
- Height Open: 4"
- Length Closed: 15-3/4"
- Width Closed: 10-3/4"
- Height Closed: 4"

PRODUCT IMAGE



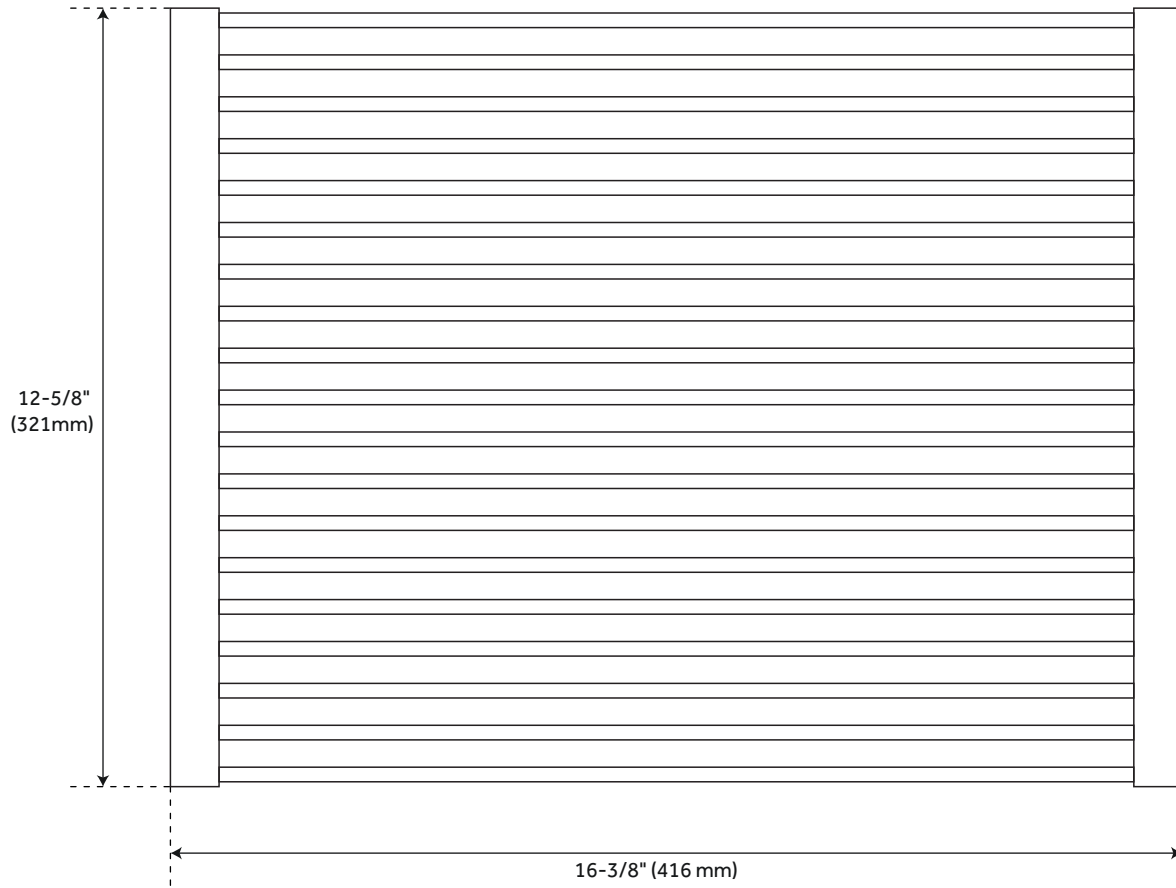
All dimensions and specifications are nominal and may vary. Use actual products for accuracy in critical situations.

PAGE 7
Code: SHWORKMBN

ROLLING MAT DRAIN BOARD

FOR 32" WORKSPACE STAINLESS STEEL UNDERMOUNT KITCHEN SINK

SKU: 948496



FEATURES

Material: Stainless Steel

Length: 16-3/8"

Width: 12-5/8"

PRODUCT IMAGE



All dimensions and specifications are nominal and may vary. Use actual products for accuracy in critical situations.

PAGE 8
CODE: SHWORKRM