

32" CALVERTON

OFFSET DOUBLE-BOWL STAINLESS STEEL UNDERMOUNT SINK - LARGE BOWL RIGHT

SKU: 948492



FEATURES

- Basin Split: 60/40
- Shape: Rectangle
- Sink Installation: Undermount
- Faucet Centers: No Faucet Hole
- Number of Basins: 2
- Product Color: Stainless Steel
- Metal Gauge/Thickness: 16
- Faucet Included: No
- Faucet Holes: No Faucet Hole
- Drain Placement: Rear-Center
- Drain Included: Optional
- Mounting Hardware Included: Yes
- Minimum Cabinet Size: 36"
- Type 304 Stainless Steel
- It is Recommended to Have the Sink at the Job Site Before Cutting Cabinet or Counter Top
- Features a Low Center Divide for Maneuvering Large Pots and Pans
- Sound Absorption Pads on the Underside of Sink
- Has an Undercoating to Prevent Condensation Buildup

CONTENTS

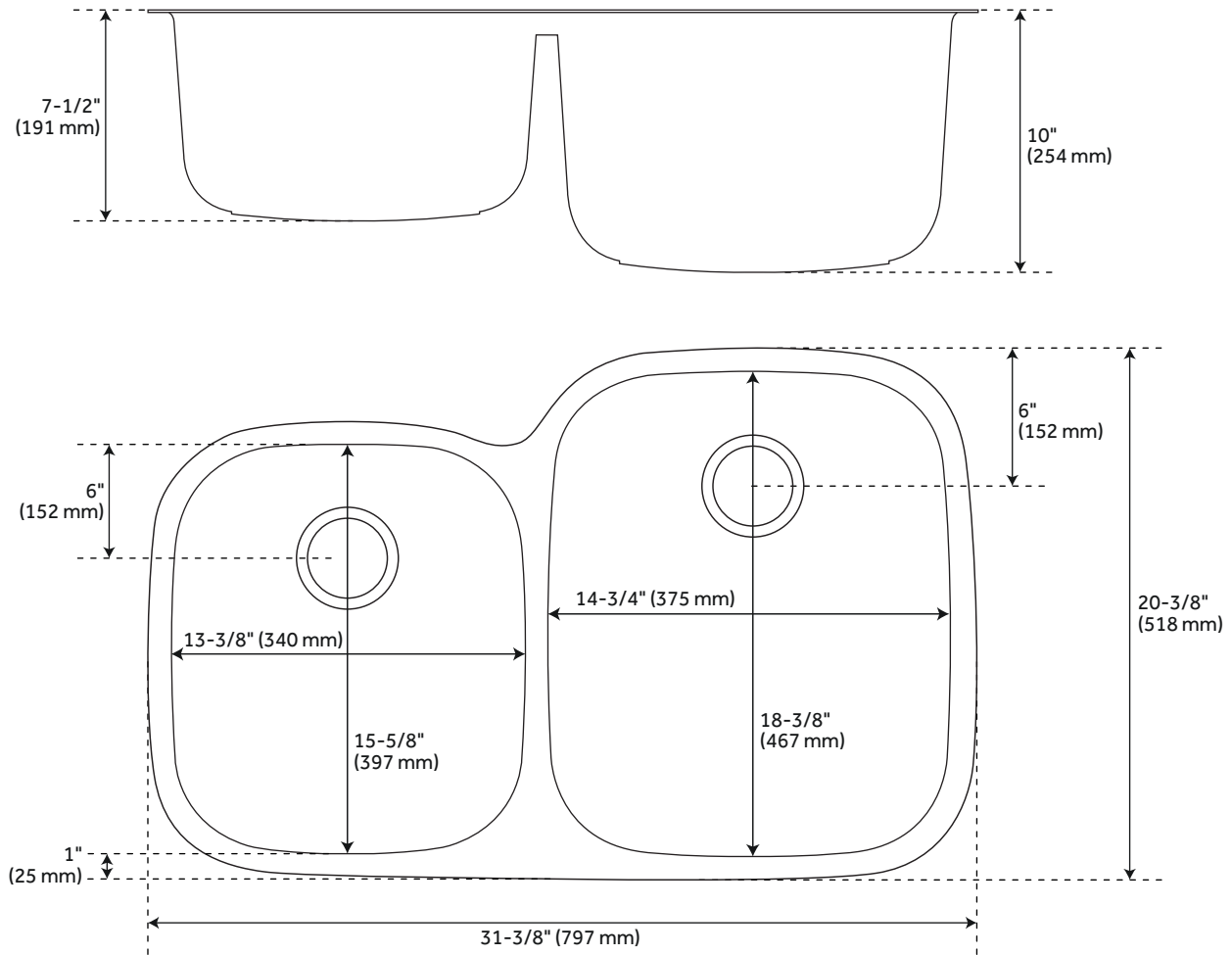
UNDERMOUNT SINK	PAGE 2
SINK GRID	PAGE 3
SINK GRID	PAGE 4

REVISED 09/21/2020

32" CALVERTON

OFFSET DOUBLE-BOWL STAINLESS STEEL UNDERMOUNT SINK - LARGE BOWL RIGHT

SKU: 948492



FEATURES

Length: 31-3/8"
Width: 20-3/8"
Height: 10"
Large Bowl Length: 14-3/4"
Large Bowl Width: 18-3/8"
Small Bowl Length: 13-3/8"
Small Bowl Width: 15-5/8"
Drain Size: 3-1/2"

CODES/STANDARDS

cUPC
ASME A112.19.3/CSA B45.4
Massachusetts Accepted

PRODUCT IMAGE



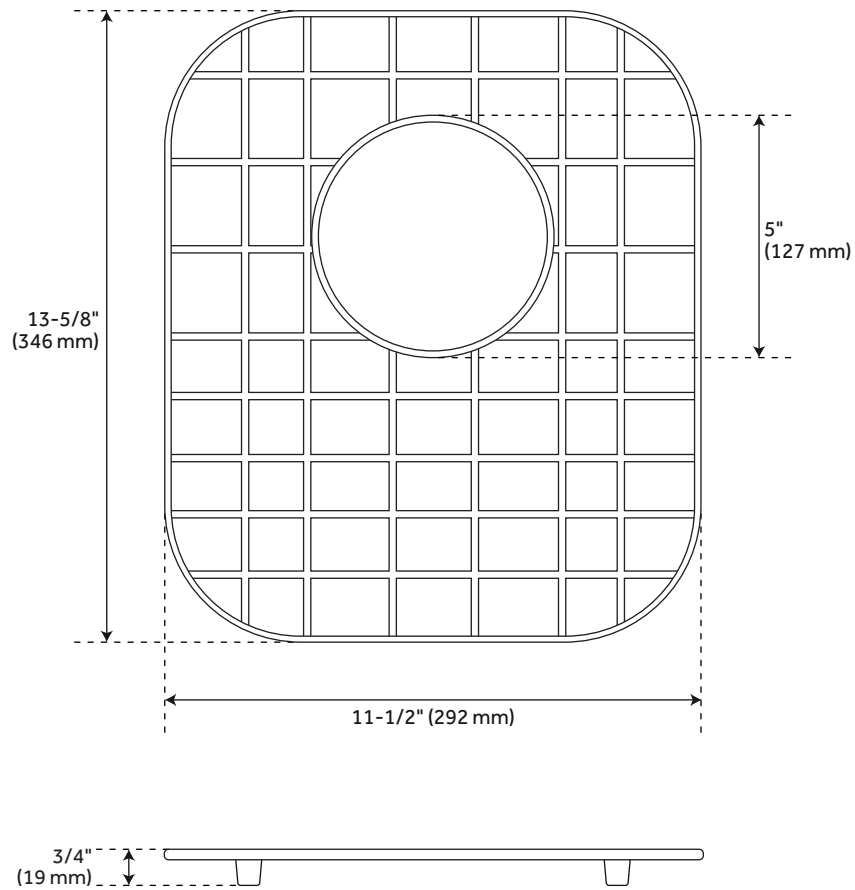
All dimensions and specifications are nominal and may vary. Use actual products for accuracy in critical situations.

PAGE 2
Code: SHCAUC3221R

SINK GRID

FOR 32" CALVERTON OFFSET DOUBLE-BOWL STAINLESS STEEL UNDERMOUNT SINK

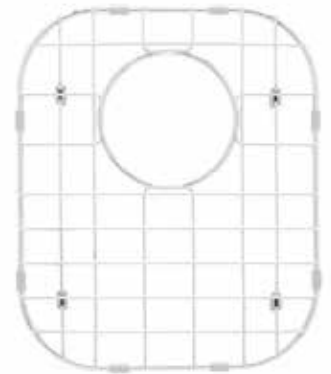
SKU: 948492



FEATURES

Material: Stainless Steel
Length: 11-1/2"
Width: 13-5/8"
Height: 3/4"
Drain Size: 5"

PRODUCT IMAGE



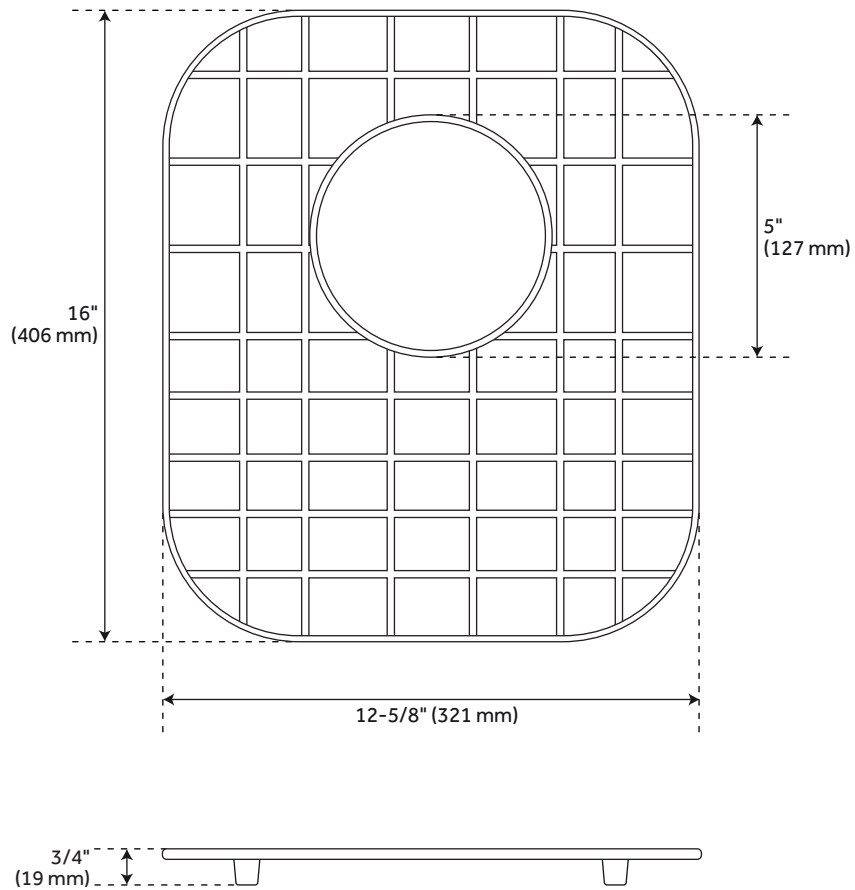
All dimensions and specifications are nominal and may vary. Use actual products for accuracy in critical situations.

PAGE 3
Code: SHG1315

SINK GRID

FOR 32" CALVERTON OFFSET DOUBLE-BOWL STAINLESS STEEL UNDERMOUNT SINK

SKU: 948492



FEATURES

Material: Stainless Steel
Length: 12-5/8"
Width: 16"
Height: 3/4"
Drain Size: 5"

PRODUCT IMAGE



All dimensions and specifications are nominal and may vary. Use actual products for accuracy in critical situations.

PAGE 4
Code: SHG1518