

33" ORTEGA

DOUBLE-BOWL STAINLESS STEEL DROP-IN SINK - SINGLE-HOLE

SKU: 948489



FEATURES

- Material: Stainless Steel
- Basin Split: 50/50
- Shape: Rectangle
- Sink Installation: Drop-In
- Faucet Centers: Single-Hole Centered
- Number of Basins: 2
- Product Color: Stainless Steel
- Metal Gauge/Thickness: 16
- Faucet Included: No
- Faucet Holes: 1
- Drain Placement: Rear-Center
- Drain Included: Optional
- Mounting Hardware Included: Yes
- Type 304 Stainless Steel
- It is Recommended to Have the Sink at
the Job Site Before Cutting
Cabinet or Counter Top
- Sound Absorption Pads on the Underside
of Sink
- Has an Undercoating to Prevent
Condensation Buildup

CONTENTS

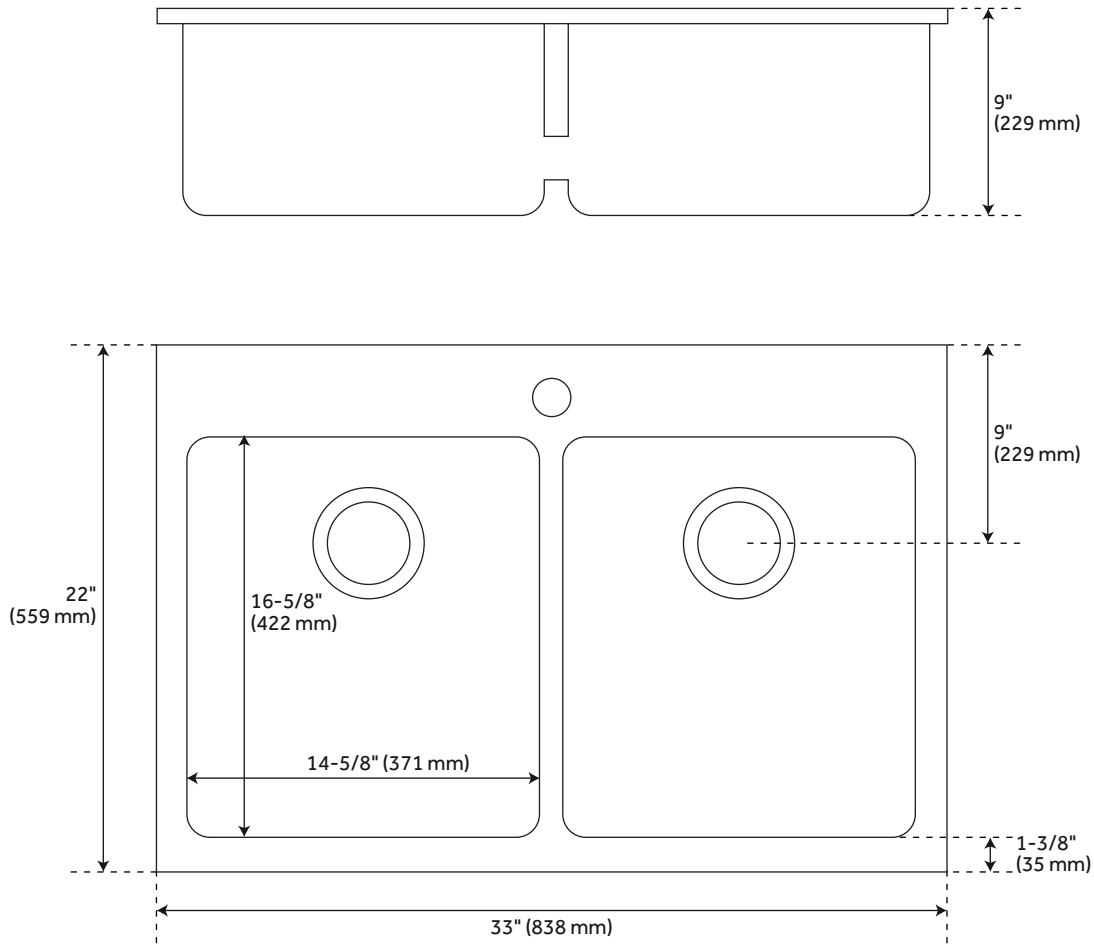
DROP-IN SINK	PAGE 2
SINK GRID	PAGE 3

REVISED 09/18/2020

33" ORTEGA

DOUBLE-BOWL STAINLESS STEEL DROP-IN SINK - SINGLE-HOLE

SKU: 948489



FEATURES

Length: 33"
Width: 22"
Height: 9"
Water Depth to Rim: 9"
Metal Gauge/Thickness: 16
Drain Size: 3-1/2"

CODES/STANDARDS

cUPC
ASME A112.19.3/CSA B45.4
Massachusetts Accepted

PRODUCT IMAGE



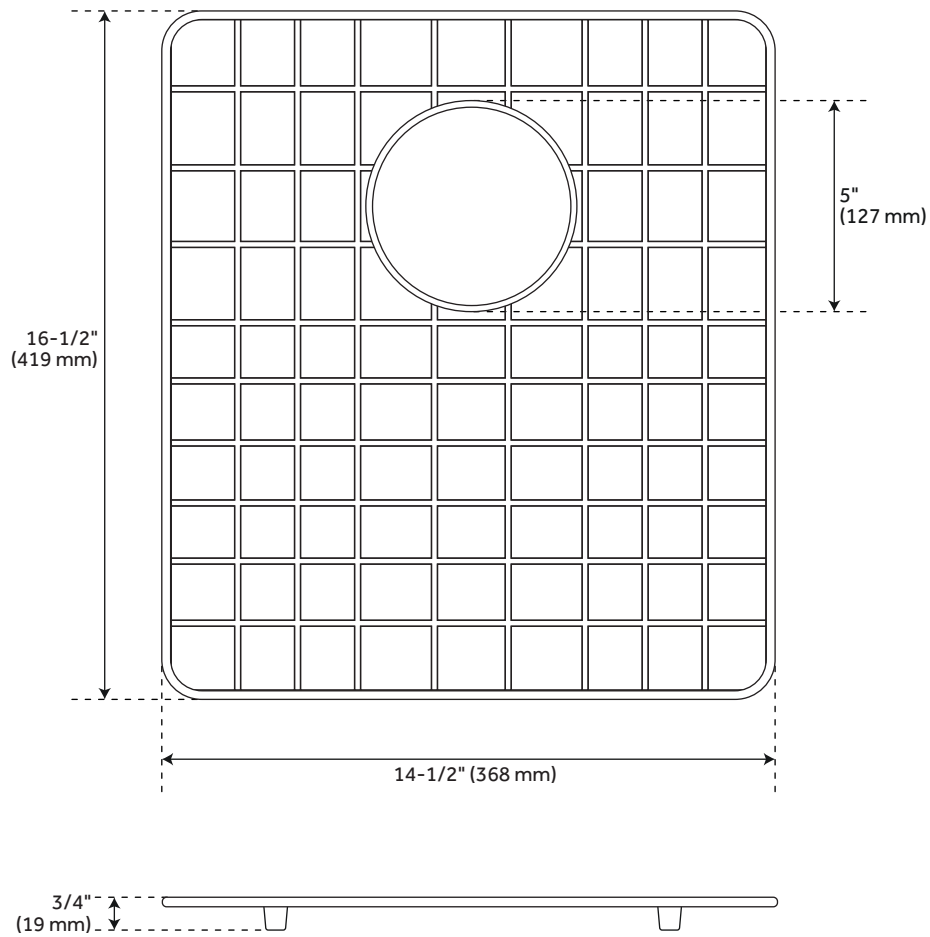
All dimensions and specifications are nominal and may vary. Use actual products for accuracy in critical situations.

PAGE 2
Code: SHORDM2BE1

SINK GRID

FOR 33" ORTEGA DOUBLE-BOWL STAINLESS STEEL KITCHEN SINK

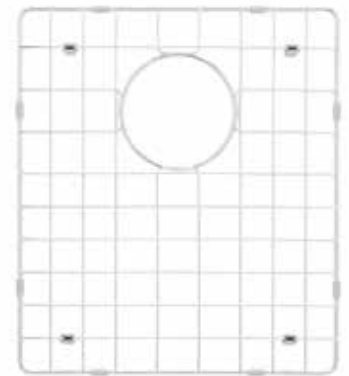
SKU: 948489



FEATURES

Material: Stainless Steel
Length: 14-1/2"
Width: 16-1/2"
Height: 3/4"
Drain Size: 5"

PRODUCT IMAGE



All dimensions and specifications are nominal and may vary. Use actual products for accuracy in critical situations.

PAGE 3
Code: SHG1517